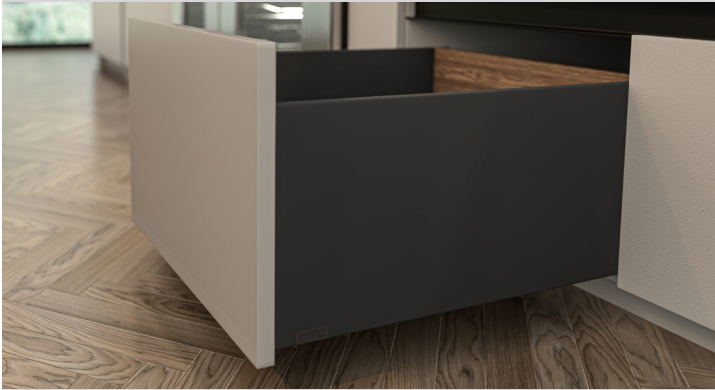


**Standard Drawer Kit, 238mm Height**

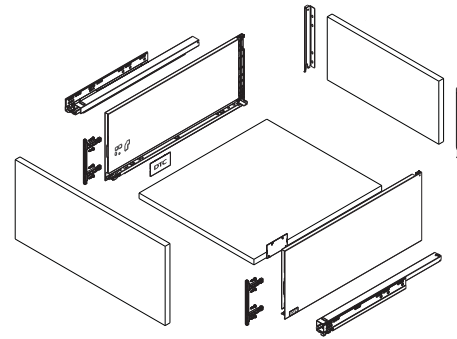
**Product Features**



- Modern Straight Slim box drawer system
- Silent system guarantees quiet, smooth run
- High dynamic load capacity: 40kg (88lbs)
- Concealed synchronized slide with full extension
- Tool free assembly and removal of drawer
- 3 Directional Adjustment

**Standard Drawer Kit (packaged as a complete set)**

- One pair of full extension synchronized soft-close slides
- One pair of Legacy drawer sides (238mm height)
- One set of inner/outer cover caps
- One pair of rear fixing brackets
- Two universal drawer front connectors (with dowel)
- One pair of rear brackets for drawer back panel



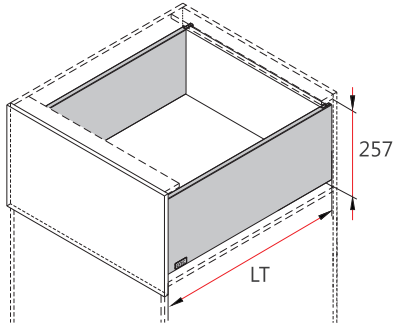
**Standard Drawer Kit Ordering Guide**

Length (mm)	Length (Inch)	Matte Grey	Silk White
270mm	11"	105-HT238-GM270	105-HT238-SW270
300mm	12"	105-HT238-GM300	105-HT238-SW300
350mm	14"	105-HT238-GM350	105-HT238-SW350
400mm	16"	105-HT238-GM400	105-HT238-SW400
450mm	18"	105-HT238-GM450	105-HT238-SW450
500mm	20"	105-HT238-GM500	105-HT238-SW500
550mm	22"	105-HT238-GM550	105-HT238-SW550

**Product Marking Jigs**

Description	Part#
Prima Marking Jig (172mm & 238mm)	105-TB0301A

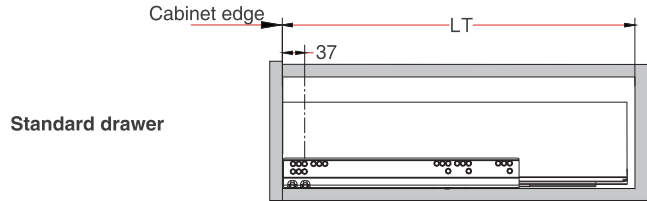
## Space Requirements



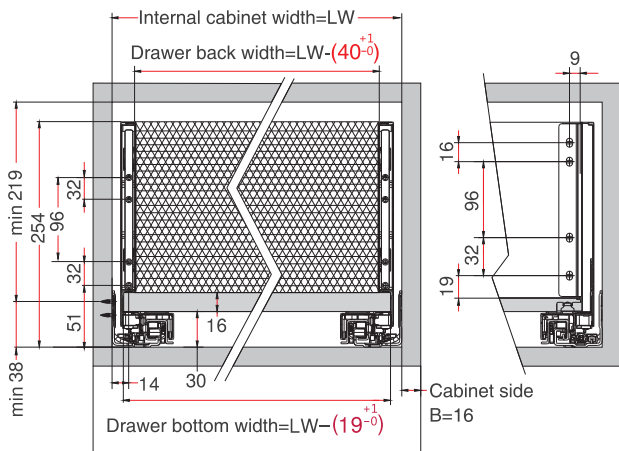
LT=Internal Cabinet Depth  
LT=NL+3

## Installation Dimensions

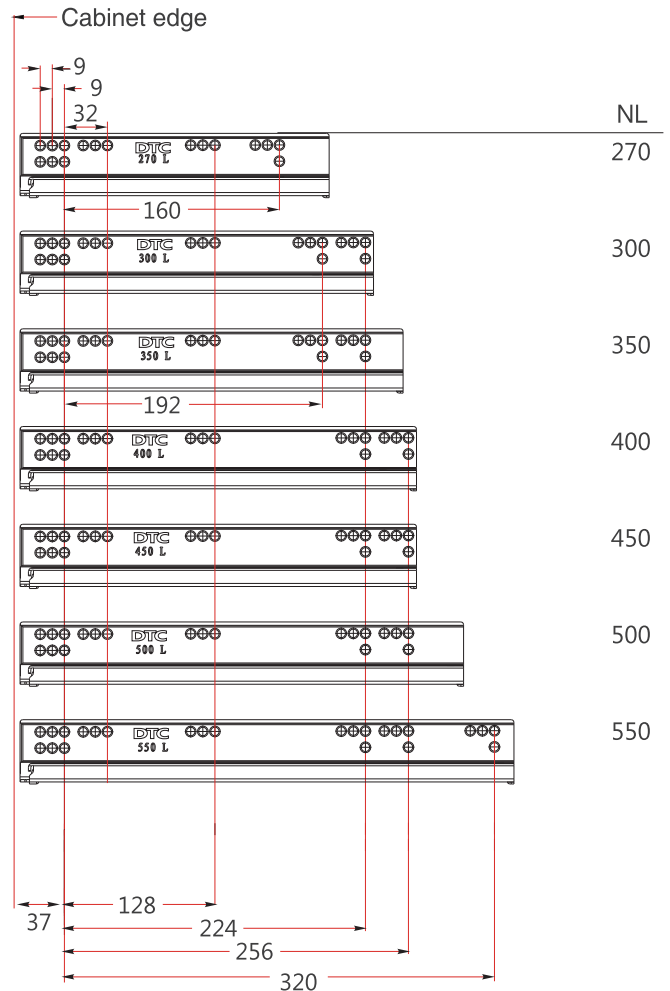
NL=Nominal Slide Length  
LT=Internal Cabinet Depth  
LT=NL+3



## Installation Dimensions

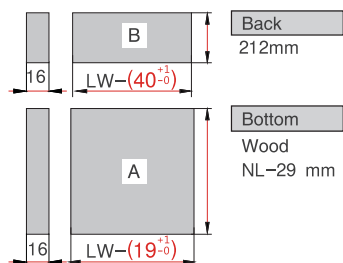
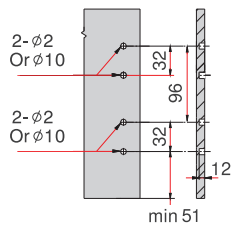


## Drilling Pattern

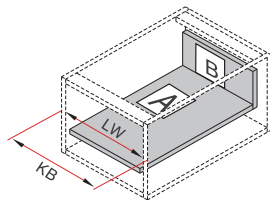


## Drawer Front, Back and Bottom Dimension

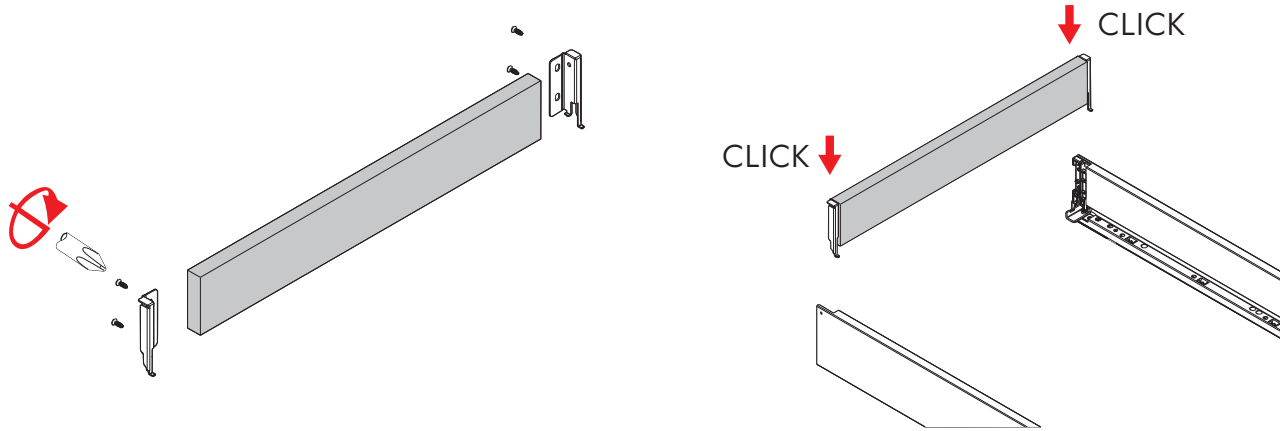
### Drawer Front



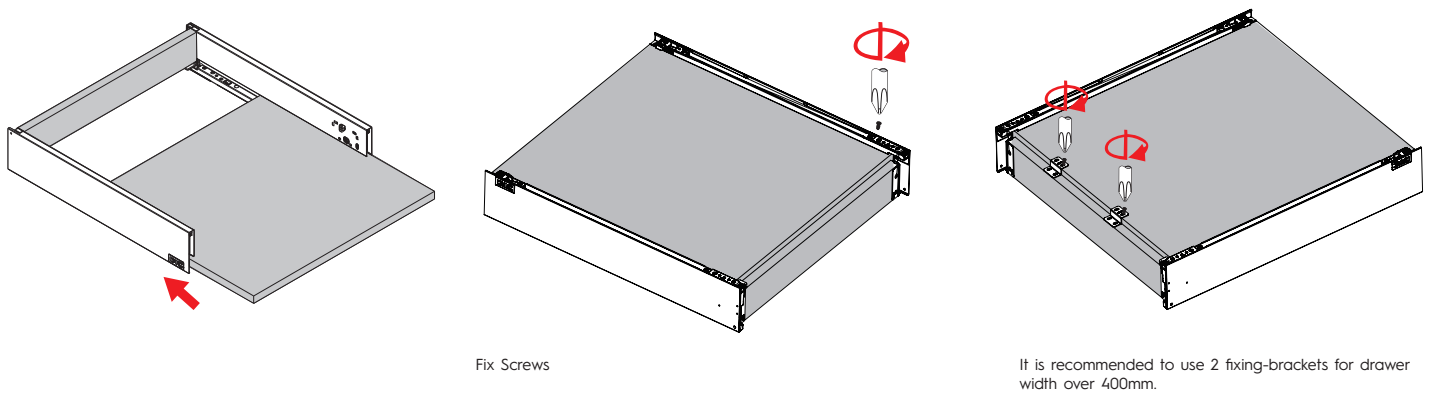
KB = Cabinet Width  
LW = Internal Cabinet Width  
NL = Nominal Slide Length



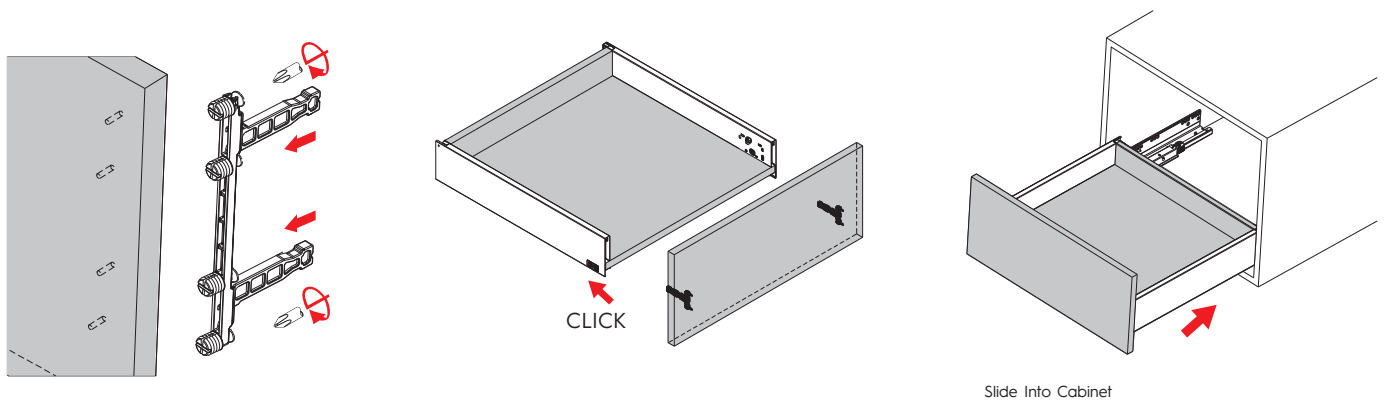
## Back Assembly



## Bottom Assembly

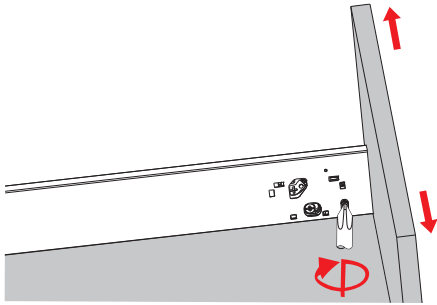


## Front Assembly

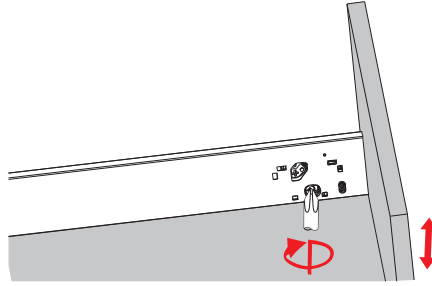




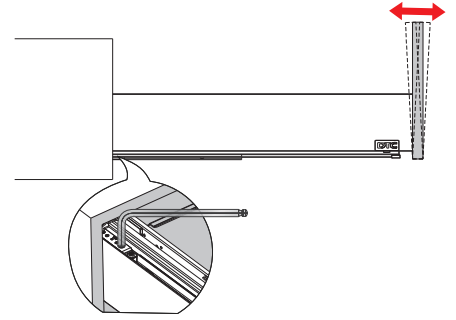
## Adjustment



Left & Right Adjustment

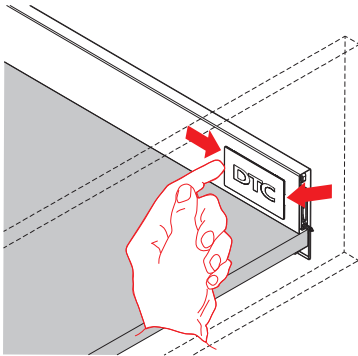


Up & Down Adjustment

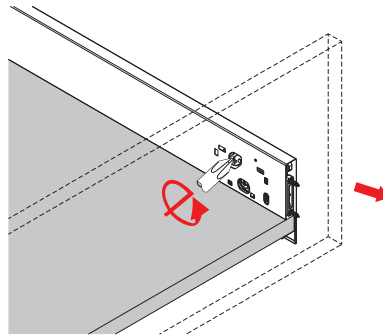


Tilt Adjustment (M3 Allen Key Used)

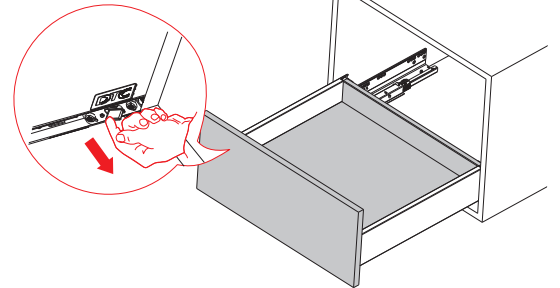
## Removal



Tip up the cover and pull out



Turn screw driver to release the drawer front



Press the locking device under the drawer bottom and pull out the drawer.