

LEGACY Drawer System

Specifications & Ordering Guide

Internal Drawer Kit, 172mm C Height with Cross Rail

Product Features

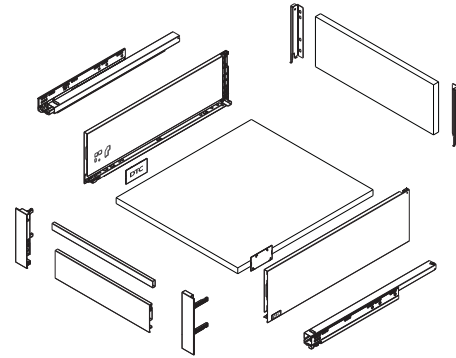


- Modern Straight Slim box drawer system
- Silent system guarantees quiet, smooth run
- High dynamic load capacity: 40/60kg (88/132lbs)
- Concealed slide with full extension
- Tool free assembly and removal of drawer
- 3D Adjustment

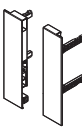
Glass Sides Drawer Kit (packaged as a complete set)

Order Standard Drawer Kit with 172mm C Height Sides, plus these parts

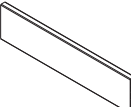
- One pair of internal front fixing brackets for use with standard height internal drawer fronts and square cross rail
- One standard height colour-matched 1100mm length metal internal drawer front, which can be cut to match your drawer width
- One square cross rail, which can be cut to match the width of your drawer



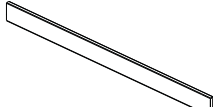
High Internal Drawer Front Brackets for Square Cross Rail

	Finish	Part#	Qty.
	Matte Grey	105-HT13014-GM	60
	Silk White	105-HT13014-SW	60

Standard Height, Internal Drawer Front, 1100mm Lengths

	Finish	Part#	Qty.
	Matte Grey	105-HT10022-GM	60
	Silk White	105-HT10022-SW	60

Internal Drawer Square Cross Rail, 1100mm Lengths

	Finish	Part#	Qty.
	Matte Grey	105-HT10071-GM	60
	Silk White	105-HT10071-SW	60

