

# LEGACY Drawer System

## Specifications & Ordering Guide

### Standard Glass Drawer Kit, 172mm C Height



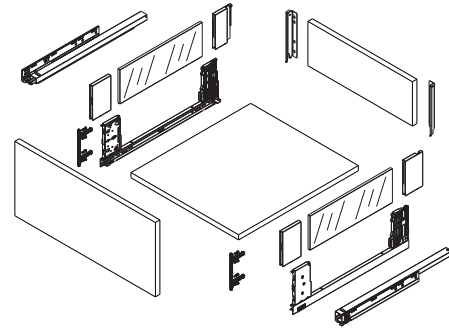
### Product Features

- Modern Straight Slim box drawer system
- Silent system guarantees quiet, smooth run
- High dynamic load capacity: 40/60kg (88/132lbs)
- Concealed slide with full extension
- Tool free assembly and removal of drawer
- 3D Adjustment

### Glass Sides Drawer Kit (packaged as a complete set)

#### This Glass Sides Drawer Kit with 172mm C Height sides included

- One pair of Full Extension Soft-Close Slides
- One pair of Legacy Drawer Sides (172mm C Height) and connectors for use with Glass Sides
- Pre-cut Glass Sides for use with M Height
- One set of inner/outer cover caps
- One pair of rear fixing brackets
- Two universal drawer front connectors



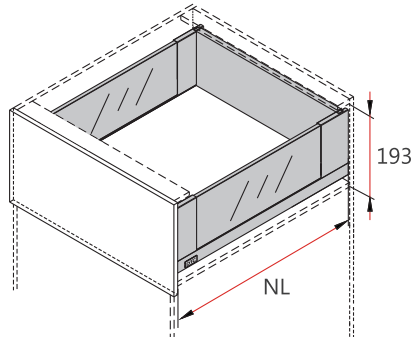
### Standard Drawer Kit (Matte Grey) Ordering Guide

Length (mm)	Length (Inch)	Grey Matte	Silk White
270mm	11"	105-HG172-GM270	105-HG172-SW270
300mm	12"	105-HG172-GM300	105-HG172-SW300
350mm	14"	105-HG172-GM350	105-HG172-SW350
400mm	16"	105-HG172-GM400	105-HG172-SW400
450mm	18"	105-HG172-GM450	105-HG172-SW450
500mm	20"	105-HG172-GM500	105-HG172-SW500
550mm	22"	105-HG172-GM550	105-HG172-SW550

# LEGACY Drawer System

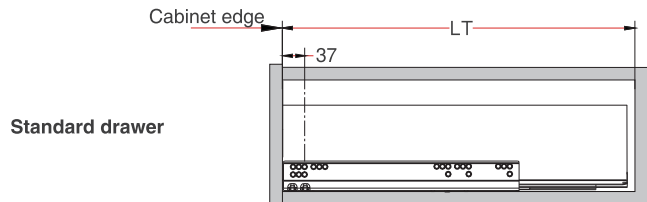
## Specifications & Ordering Guide

### Space Requirements

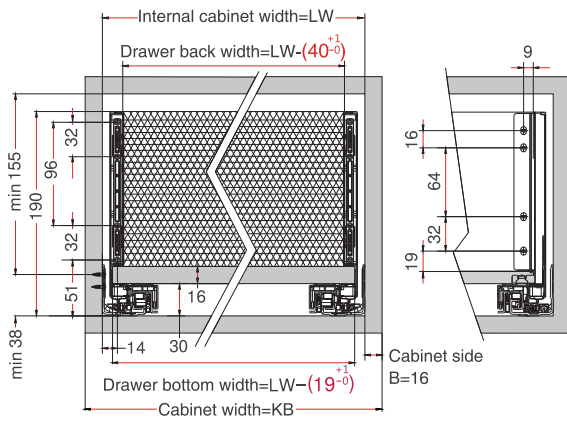


### Installation Dimensions

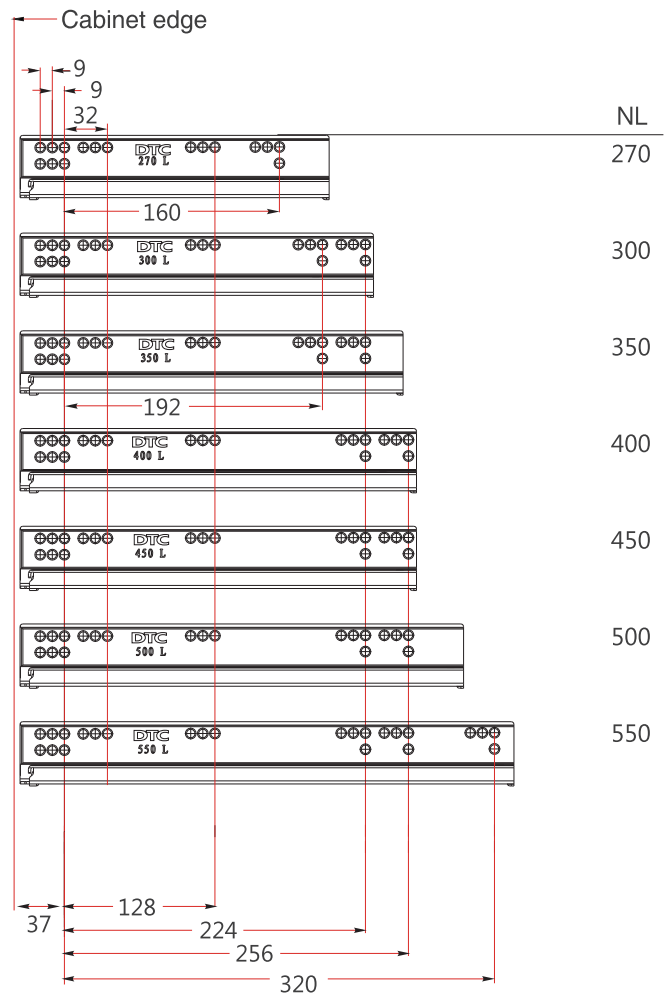
NL=Nominal Slide Length  
 LT=Internal Cabinet Depth  
 LT=NL+3



### Installation Dimensions



### Drilling Pattern



### Drawer Front, Back and Bottom Dimension

