

# LEGACY Drawer System

## Specifications & Ordering Guide

### Internal Glass Drawer With Low Glass Front, 172mm C Height Product Features

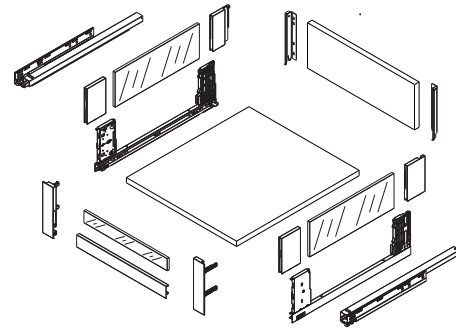


- Modern Straight Slim box drawer system
- Silent system guarantees quiet, smooth run
- High dynamic load capacity: 40/60kg (88/132lbs)
- Concealed slide with full extension
- Tool free assembly and removal of drawer
- 3D Adjustment

To make this unit, order Standard Drawer plus parts listed below

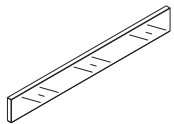
### Order Standard Drawer Kit with 172mm C height sides plus these parts:

- One pair of internal front fixing brackets for use with short height internal drawer fronts and glass
- One short height colour-matched 1100mm length metal internal drawer front, which can be cut to match your drawer width
- One short height glass drawer front to match the width of your drawer



#### Internal Drawer Short Height Glass Fronts

Length	Part#	Qty.
300mm	105-HG46-GL300	10
350mm	105-HG46-GL350	10
400mm	105-HG46-GL400	10
450mm	105-HG46-GL450	10
500mm	105-HG46-GL500	10
600mm	105-HG46-GL600	10
800mm	105-HG46-GL800	10
900mm	105-HG46-GL900	10
1000mm	105-HG46-GL1000	10
1200mm	105-HG46-GL1200	10

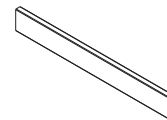
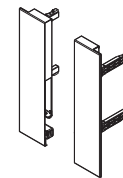


#### Internal Drawer Short Height Glass Fronts

Finish	Part#	Qty.
Matte Grey	105-HT13012-GM	60
Silk White	105-HT13012-SW	60

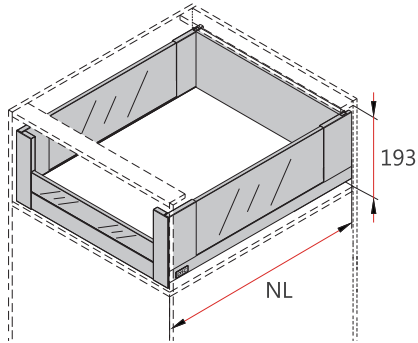
Finish	Part#	Qty.
Matte Grey	105-HT10021-GM	60
Silk White	105-HT10021-SW	60



# LEGACY Drawer System

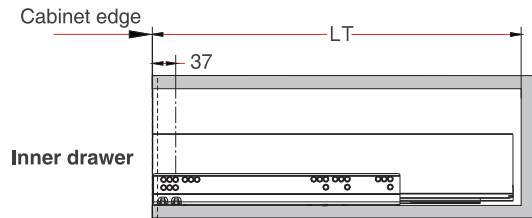
## Specifications & Ordering Guide

### Space Requirements

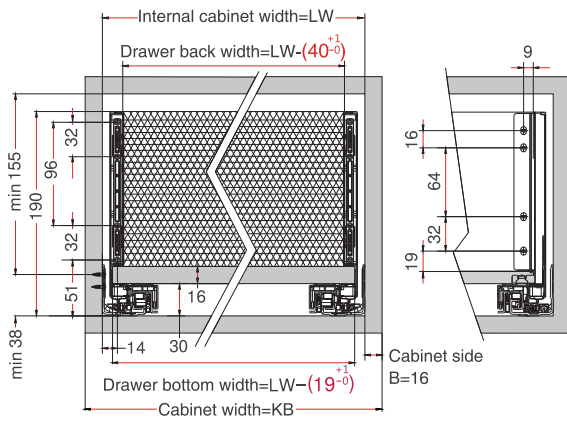


### Installation Dimensions

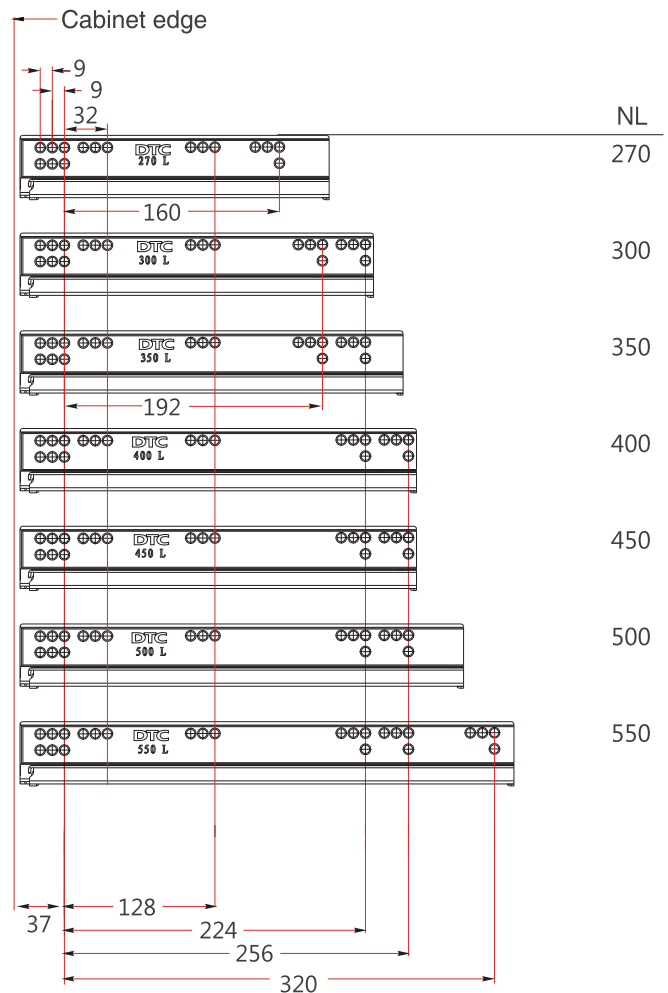
NL=Nominal Slide Length  
LT=Internal Cabinet Depth  
LT=NL+3



### Installation Dimensions



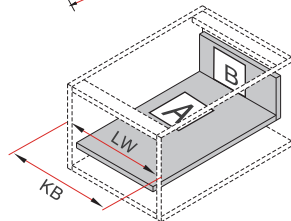
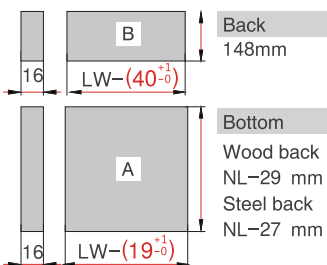
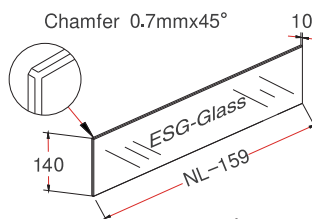
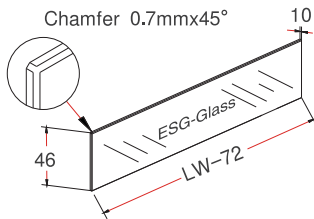
### Drilling Pattern



### Drawer Front, Back and Bottom Dimension

Glass front (10mm)

10mm Glass-boxside



KB = Cabinet Width  
LW = Internal Cabinet Width  
NL = Nominal Slide Length