

LEGACY Drawer System

Specifications & Ordering Guide

Legacy Drawer System 126mm K Height Standard Kit

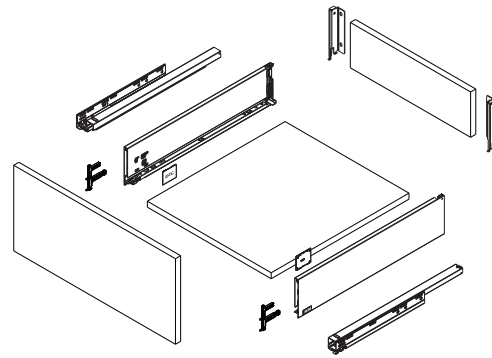


Product Features

- Modern Straight Slim box drawer system
- Silent system guarantees quiet, smooth run
- High dynamic load capacity: 40/60kg (88/132lbs)
- Concealed slide with full extension
- Tool free assembly and removal of drawer
- 3D Adjustment

Standard Drawer Kit (packaged as a complete set)

- One pair of Full Extension Soft-Close Slides
- One pair of Legacy Drawer Sides (126mm K Height)
- One set of inner/outer cover caps
- One pair of rear fixing brackets
- Two universal drawer front connectors (with dowel)



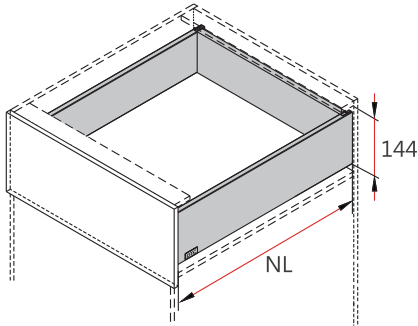
Standard Drawer Kit Ordering Guide

Length (mm)	Length (Inch)	Matte Grey	Silk White
270mm	11"	105-HT126-GM270	105-HT126-SW270
300mm	12"	105-HT126-GM300	105-HT126-SW300
350mm	14"	105-HT126-GM350	105-HT126-SW350
400mm	16"	105-HT126-GM400	105-HT126-SW400
450mm	18"	105-HT126-GM450	105-HT126-SW450
500mm	20"	105-HT126-GM500	105-HT126-SW500
550mm	22"	105-HT126-GM550	105-HT126-SW550

LEGACY Drawer System

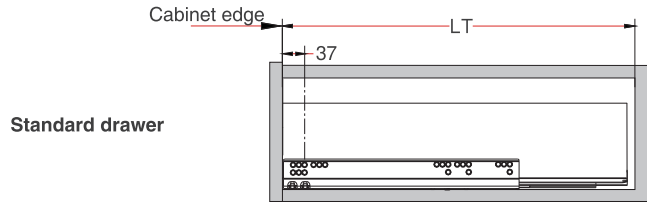
Specifications & Ordering Guide

Space Requirements



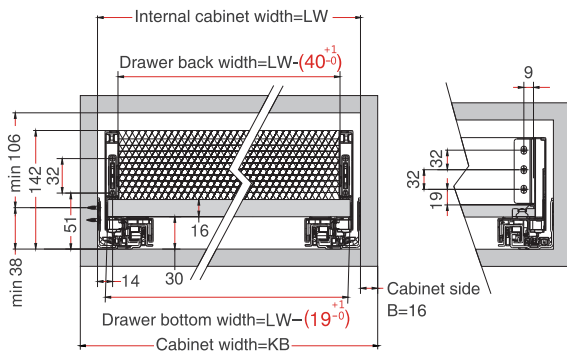
Installation Dimensions

NL=Nominal Slide Length
 LT=Internal Cabinet Depth
 LT=NL+3

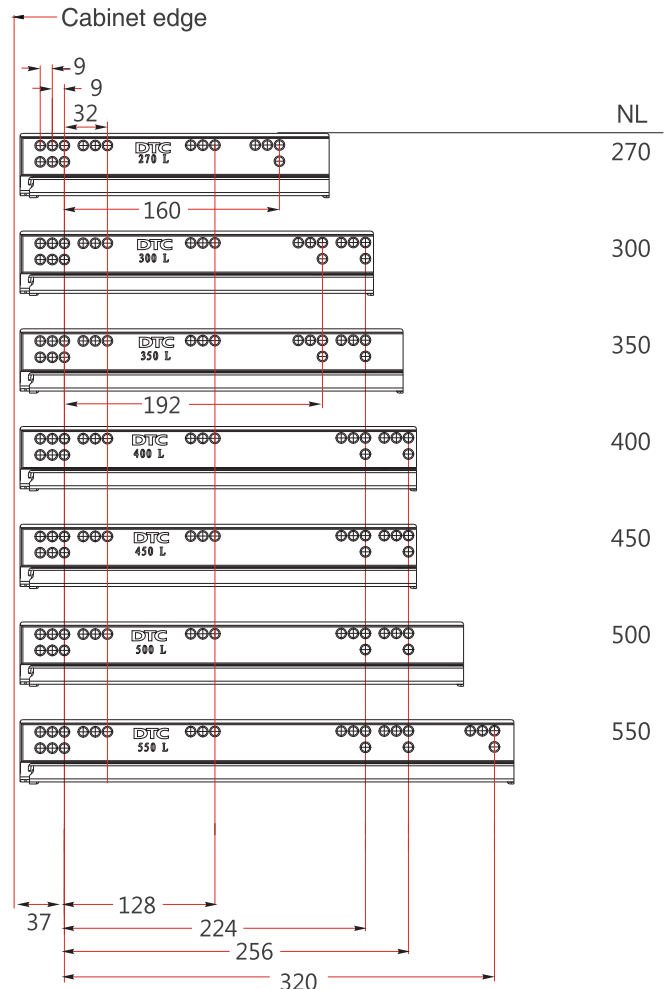


Installation Dimensions

LW=Internal Cabinet Width

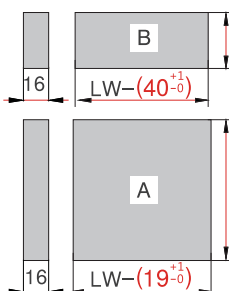
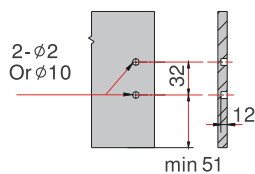


Drilling Pattern



Drawer Front, Back and Bottom Dimension

Drawer Front



Back
101mm

Bottom
Wood back
NL-29 mm

KB = Cabinet Width
 LW = Internal Cabinet Width
 NL = Nominal Slide Length