

Endura Standard Drawer Kit, 88mm M Height



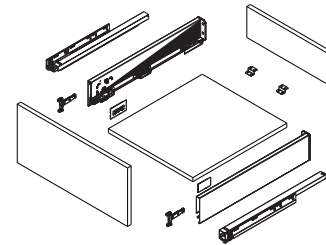
Product Features

Upgrade your kitchen with Legacy Endura, a high-quality, cost-effective drawer system in stylish Silk White or Matte Grey. This sleek and modern solution complements any design, offering customizable configurations to maximize your space. Elevate your kitchen's functionality and aesthetic with the versatile and elegant Legacy Endura.

- Concealed full-extension soft-close slides
- 88mm drawer side height
- 6-way adjustment: Height (+/- 2mm), Lateral (+/- 1.5mm), Tilt (+0.5mm / -2.5mm)
- Tool free assembly and removal of drawer
- Dynamic load capacity: 40kg (88lbs)

Standard Drawer Kit (packaged as a complete set)

- One pair of Full Extension Soft-Close Slides
- One pair of Endura Drawer Sides
- One set of inner cover caps
- Two universal drawer front connectors (with expansion dowel)
- One set of rear bracket for drawer back panel



Standard Drawer Kit Ordering Guide

| Length (mm) | Length (Inch) | Matte Grey | Silk White |
|-------------|---------------|-----------------|-----------------|
| 270mm | 11" | 105-MS88T-GM270 | 105-MS88T-SW270 |
| 300mm | 12" | 105-MS88T-GM300 | 105-MS88T-SW300 |
| 350mm | 14" | 105-MS88T-GM350 | 105-MS88T-SW350 |
| 400mm | 16" | 105-MS88T-GM400 | 105-MS88T-SW400 |
| 450mm | 18" | 105-MS88T-GM450 | 105-MS88T-SW450 |
| 500mm | 20" | 105-MS88T-GM500 | 105-MS88T-SW500 |
| 550mm | 22" | 105-MS88T-GM550 | 105-MS88T-SW550 |
| 600mm | 24" | 105-MS88T-GM600 | 105-MS88T-SW600 |

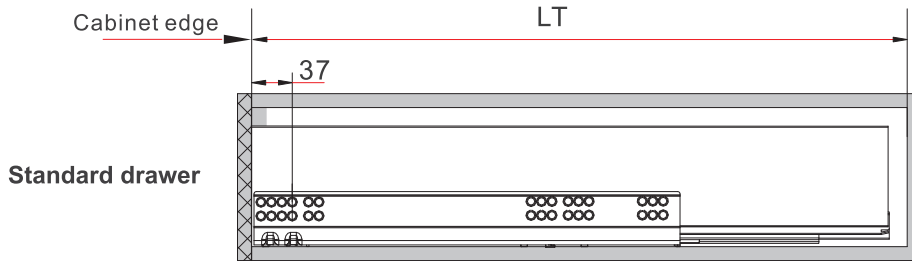
Additional Parts (Optional)

| Description | Part# |
|---|--------------|
| Press-In Front Fixing Clip 88mm M Height | 105-HE11016X |
| Expansion Dowel Front Fixing Clip 88mm M Height | 105-HE1101BX |
| Screw-On Front Fixing Clip 88mm M Height | 105-HE11011X |
| Endura Marking Jig 88mm | 105-TB0101A |

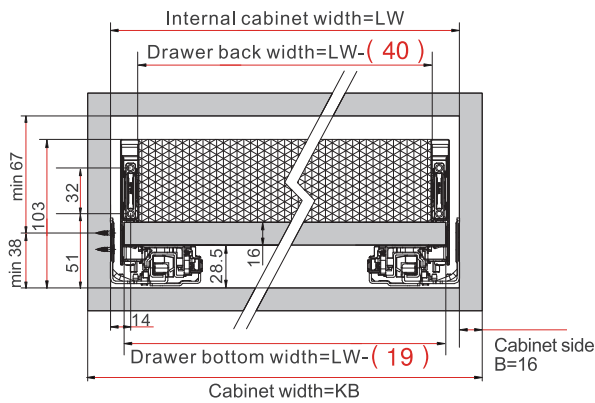


Installation Dimensions Standard

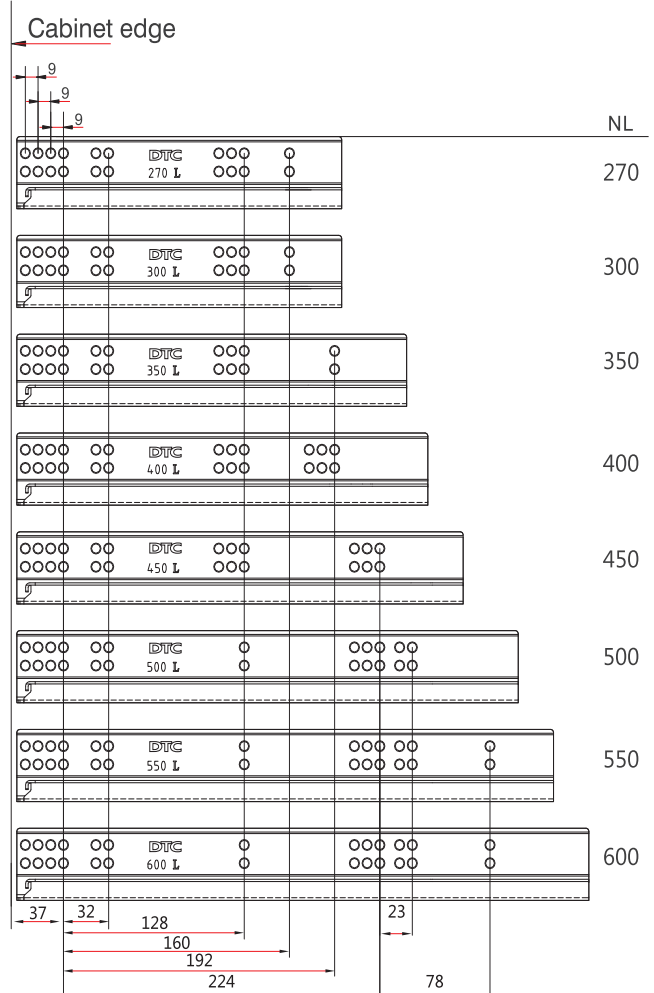
Internal cabinet depth NL = Nominal Slide Length
 LT = Internal Cabinet Depth
 LT MIN=NL+3



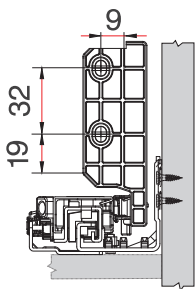
Space Requirements + Front Installation



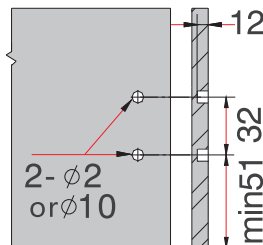
Drilling Pattern



Back Installation

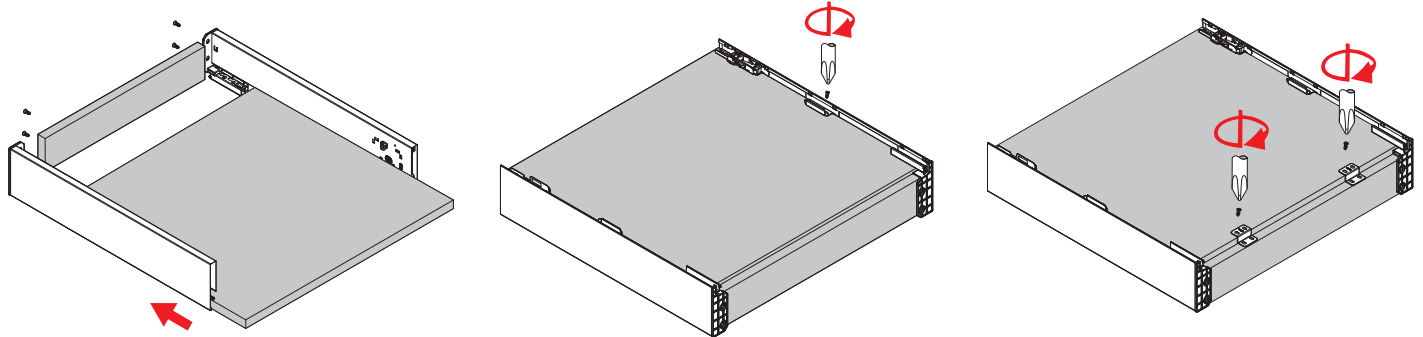


Drawer Front Drilling

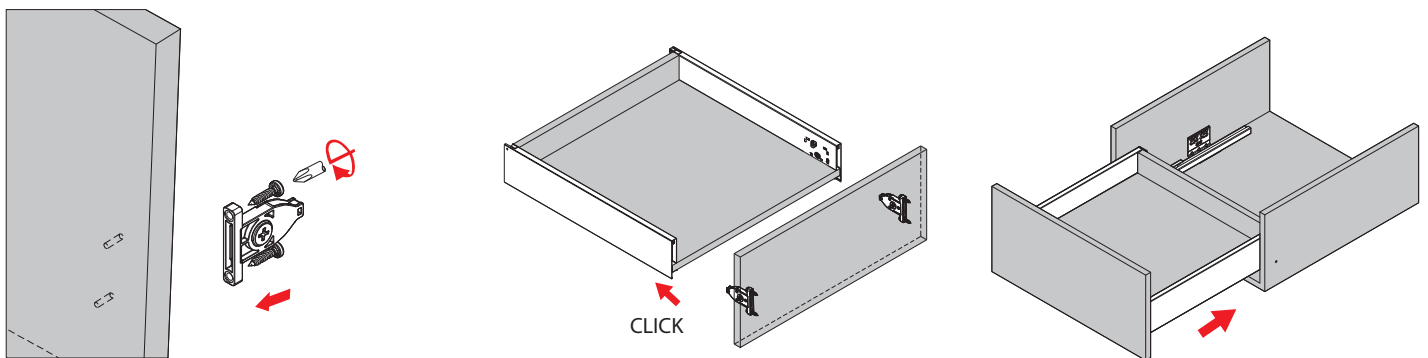




Bottom & Back Assembly



Drawer Front Assembly

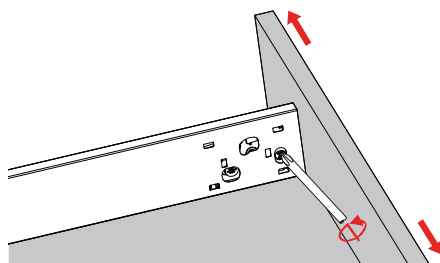


Fixing-Brackets Assembly

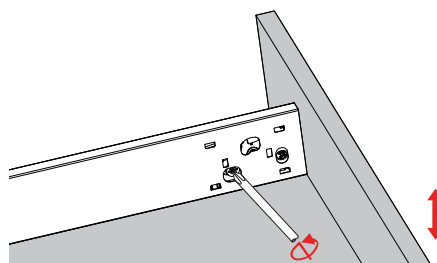
Drawer Front Assembly

Slide into the cabinet

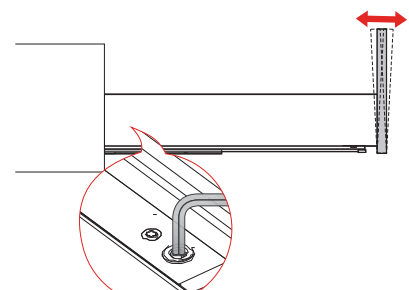
Adjustments



Lateral adjustment



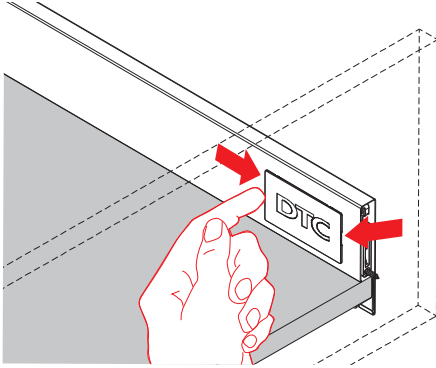
Height adjustment



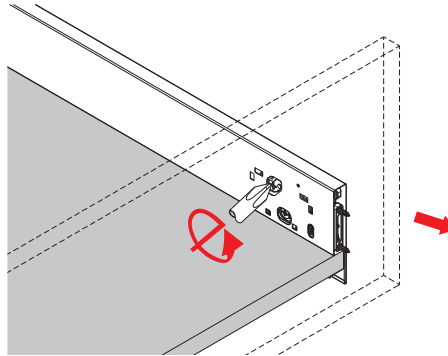
Tilt adjustment (by m3 Allen Key)



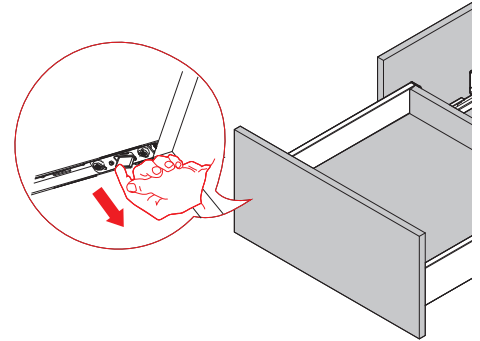
Removal



Remove the cover cap



Turn screw driver to release the drawer front



Press the locking device under the drawer box and pull out the drawer