

LEGACY ENDURA

Technical Specifications & Assembly

Endura Standard Drawer Kit, 126mm K Height



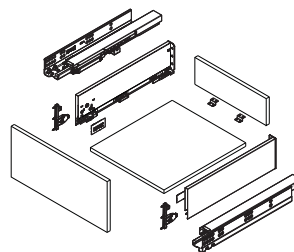
Product Features

Upgrade your kitchen with Legacy Endura, a high-quality, cost-effective drawer system in stylish Silk White or Matte Grey. This sleek and modern solution complements any design, offering customizable configurations to maximize your space. Elevate your kitchen's functionality and aesthetic with the versatile and elegant Legacy Endura.

- Concealed full-extension soft-close slides
- 126mm drawer side height
- 6-way adjustment: Height (+/- 2mm), Lateral (+/- 1.5mm), Tilt (+0.5mm / -2.5mm)
- Tool free assembly and removal of drawer
- Dynamic load capacity: 40kg (88lbs)

Standard Drawer Kit (packaged as a complete set)

- One pair of Full Extension Soft-Close Slides
- One pair of Endura Drawer Sides
- One set of inner cover caps
- Two universal drawer front connectors (with expansion dowel)
- One set of support brackets for bottom panel



Standard Drawer Kit Ordering Guide

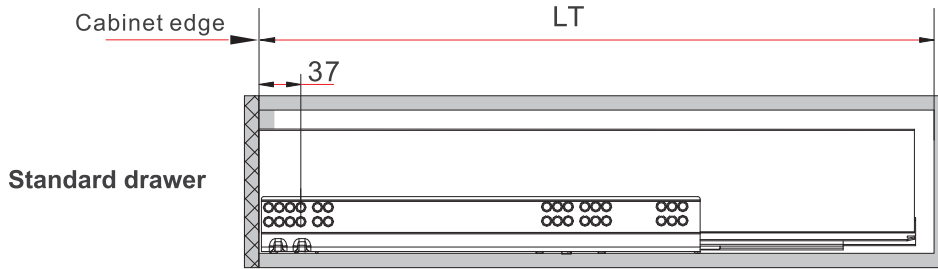
Length (mm)	Length (Inch)	Matte Grey	Silk White
270mm	11"	105-MSI26T-GM270	105-MSI26T-SW270
300mm	12"	105-MSI26T-GM300	105-MSI26T-SW300
350mm	14"	105-MSI26T-GM350	105-MSI26T-SW350
400mm	16"	105-MSI26T-GM400	105-MSI26T-SW400
450mm	18"	105-MSI26T-GM450	105-MSI26T-SW450
500mm	20"	105-MSI26T-GM500	105-MSI26T-SW500
550mm	22"	105-MSI26T-GM550	105-MSI26T-SW550
600mm	24"	105-MSI26T-GM600	105-MSI26T-SW600

Additional Parts (Optional)

Description	Part#
Press-In Front Fixing Clip 126mm Height	105-HE12016X
Expansion Dowel Front Fixing Clip 126mm Height (Included) Extra If Needed	105-HE1201BX
Screw-On Front Fixing Clip 126mm Height	105-HE12011X

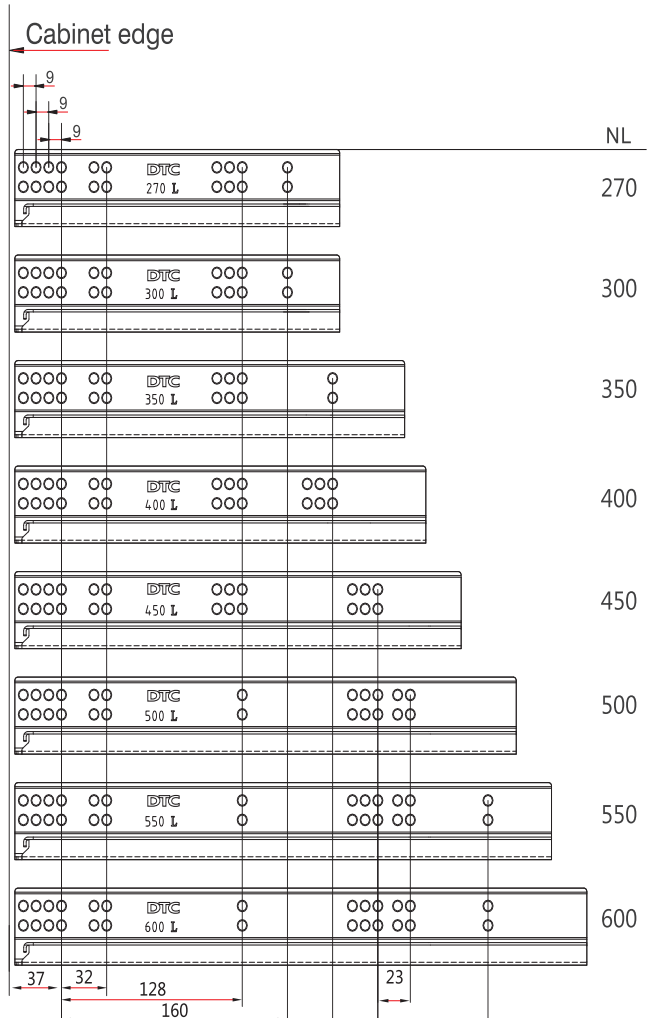
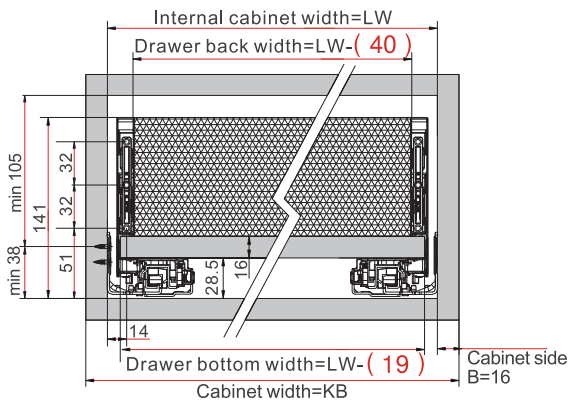
Installation Dimensions Standard

Internal cabinet depth
 NL = Nominal Slide Length
 LT = Internal Cabinet Depth
 LT MIN=NL+3



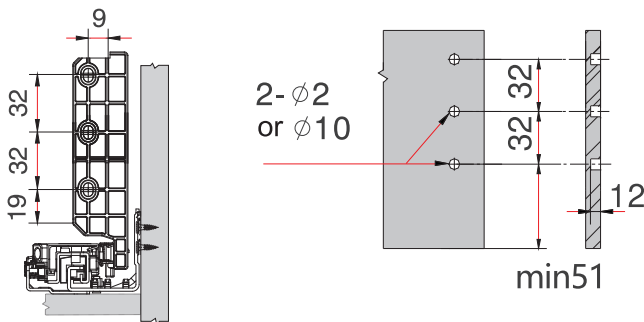
Space Requirements + Front Installation

Drilling Pattern



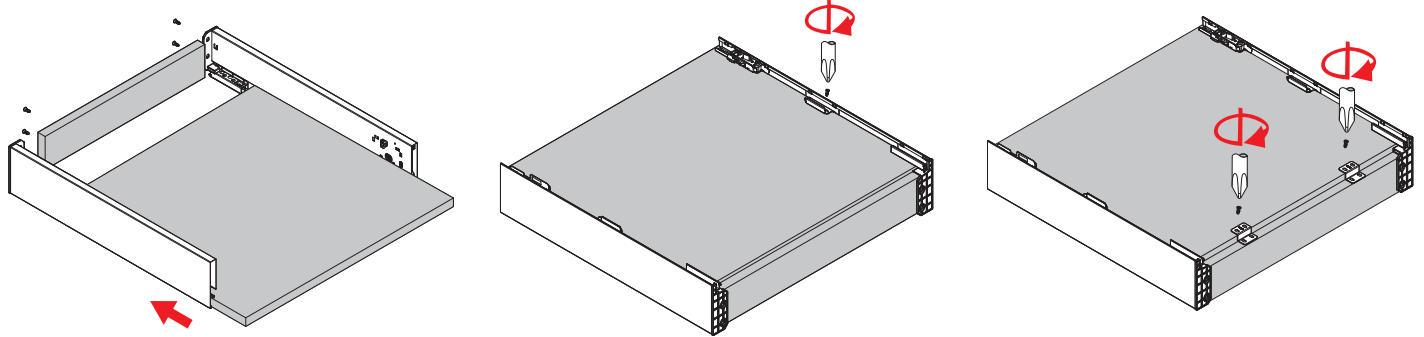
Back Installation

Drawer Front Drilling

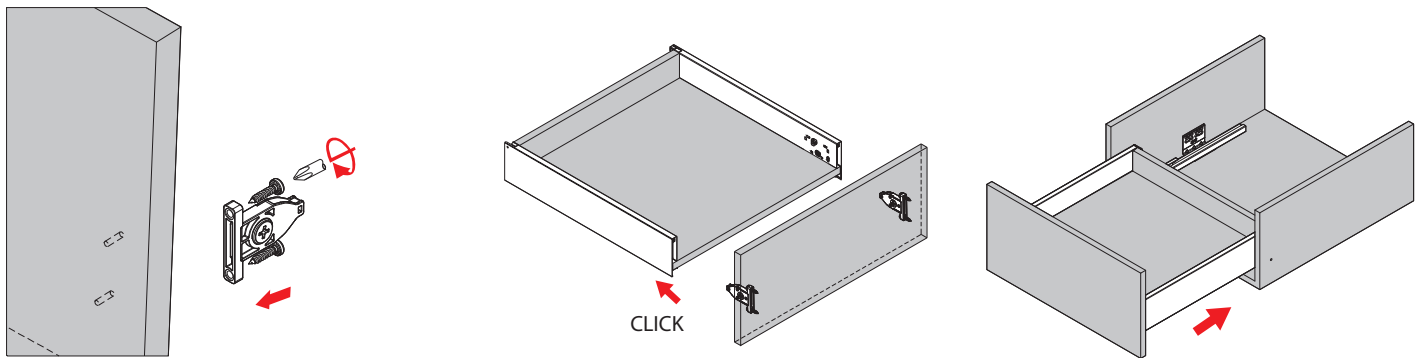




Bottom & Back Assembly



Drawer Front Assembly

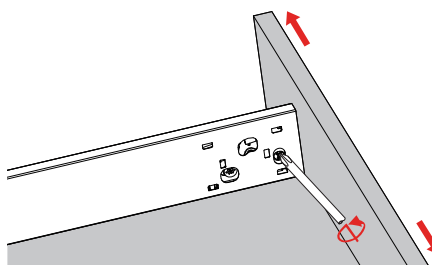


Fixing-Brackets Assembly

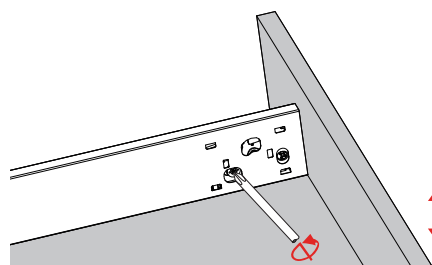
Drawer Front Assembly

Slide into the cabinet

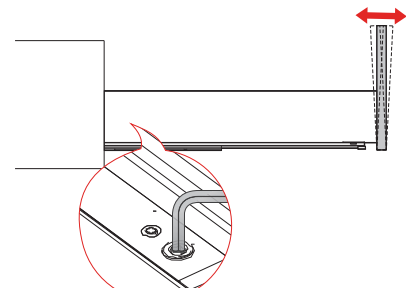
Adjustments



Lateral adjustment



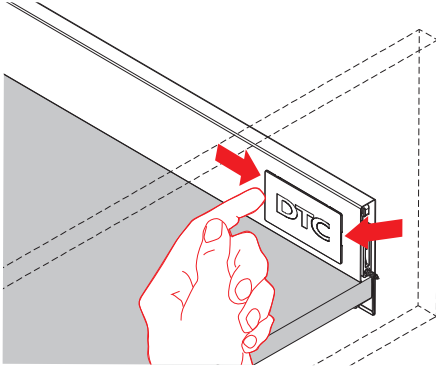
Height adjustment



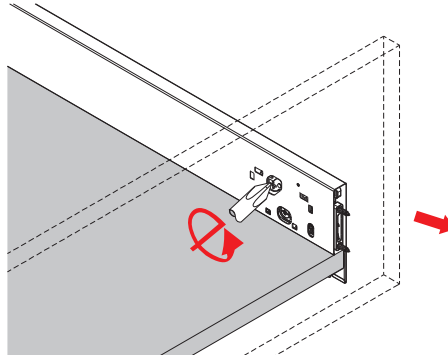
Tilt adjustment (by m3 Allen Key)



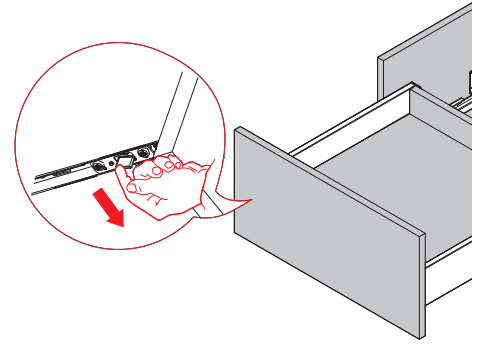
Removal



Remove the cover cap



Turn screw driver to release the drawer front



Press the locking device under the drawer box and pull out the drawer