

Endura Internal Drawer Kit, 126mm K Height

Product Features

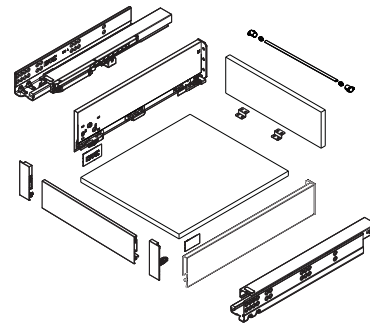


Transform your kitchen with the Legacy Endura internal drawer system, a high-quality and cost-effective solution available in elegant Silk White and stylish Matte Grey. Maximize your space by stacking multiple drawers within a custom pantry or base cabinet, making your kitchen both beautiful and efficient.

- Concealed full-extension soft-close slides
- 126mm drawer side height
- 6-way adjustment: Height (+/- 2mm), Lateral (+/- 1.5mm), Tilt (+0.5mm / -2.5mm)
- Tool free assembly and removal of drawer
- Dynamic load capacity: 40kg (88lbs)

Internal Drawer Kit (packaged as a complete set)

- One pair of Full Extension Soft-Close Slides
- One pair of Endura Drawer Sides
- One pair of inner cover caps
- One pair of support brackets for bottom panel
- Additional Parts Required:
 - One 1.1m cut-to-size aluminum drawer front
 - One pair of internal drawer front fixing brackets



Internal Drawer Kit Ordering Guide

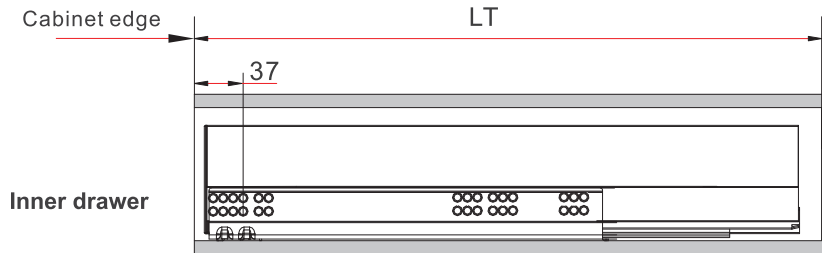
Length (mm)	Length (Inch)	Matte Grey	Silk White
270mm	11"	105-MSI26T-GM270	105-MSI26T-SW270
300mm	12"	105-MSI26T-GM300	105-MSI26T-SW300
350mm	14"	105-MSI26T-GM350	105-MSI26T-SW350
400mm	16"	105-MSI26T-GM400	105-MSI26T-SW400
450mm	18"	105-MSI26T-GM450	105-MSI26T-SW450
500mm	20"	105-MSI26T-GM500	105-MSI26T-SW500
550mm	22"	105-MSI26T-GM550	105-MSI26T-SW550
600mm	24"	105-MSI26T-GM600	105-MSI26T-SW600

Additional Parts (Required)

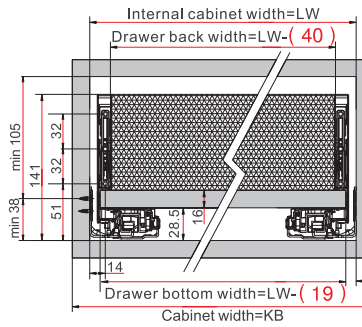
Description	Part#
Front Fixing Plastic Bracket 126mm Height "Grey" for Inner Drawer	105-HD12012X-GM
Front Fixing Plastic Bracket 126mm Height "White" for Inner Drawer	105-HD12012X-SW
Internal Metal Drawer Front Panel 1100mm "Matte Grey"	105-HT10022-GM
Internal Metal Drawer Front Panel 1100mm "White"	105-HT10022-SW

Installation Dimensions Inner Drawer

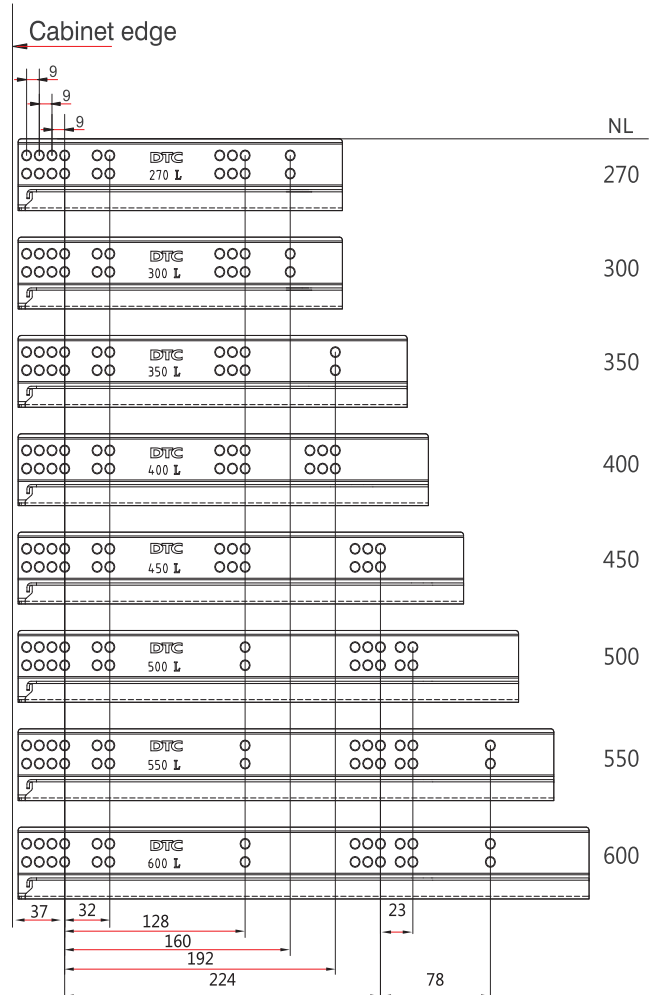
Soft close slides: $LT = NL + 3$



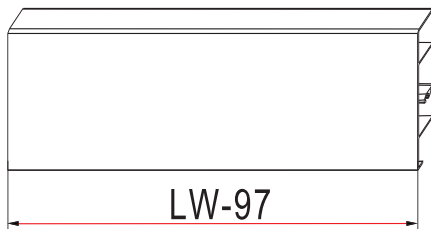
Space Requirements



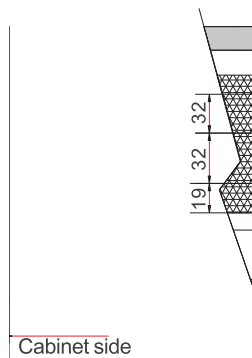
Drilling Pattern



"Cut to Length" Internal Front

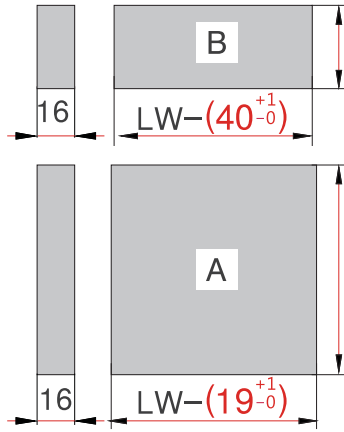


Back Installation



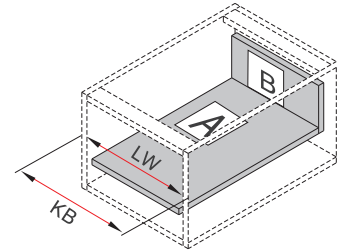


Back & Bottom Dimensions



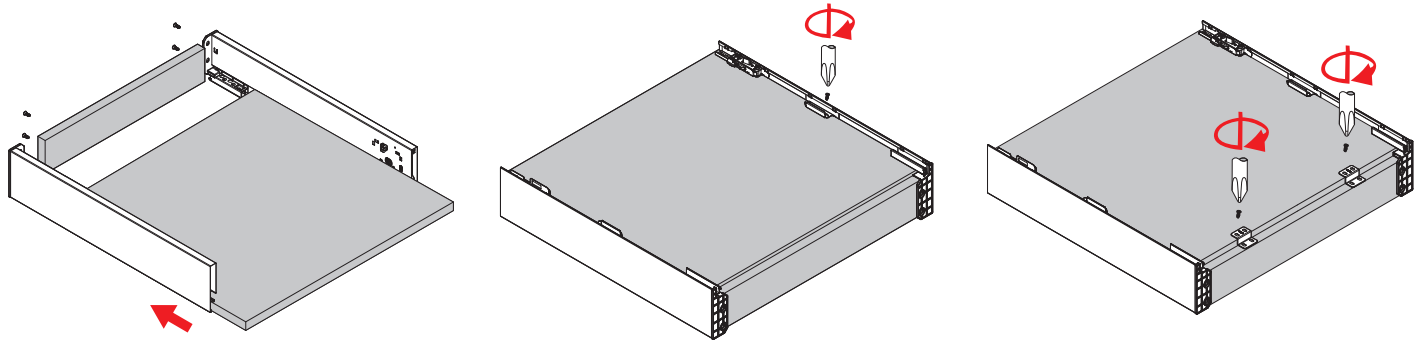
Back
101mm

Bottom
NL - (29 +0/-1) mm

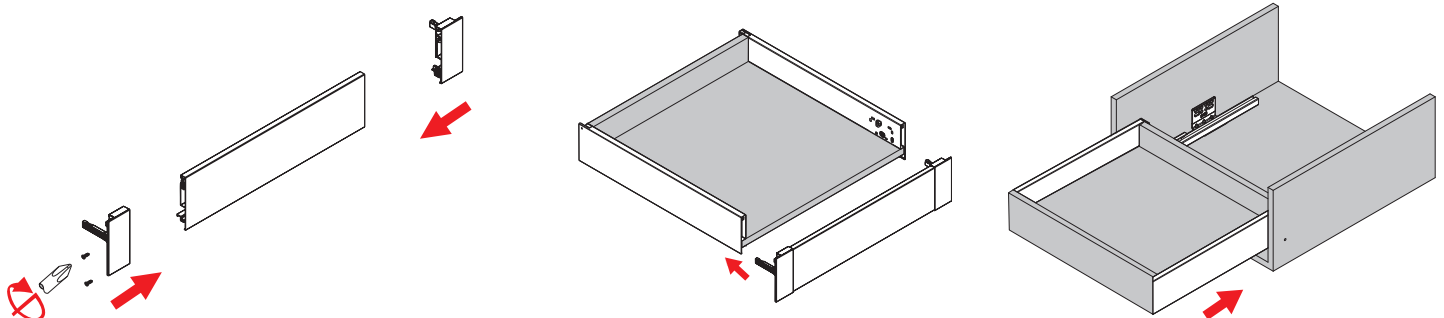


KB Cabinet width
LW Internal cabinet width
NL Nominal length

Bottom & Back Assembly



Drawer Front Assembly

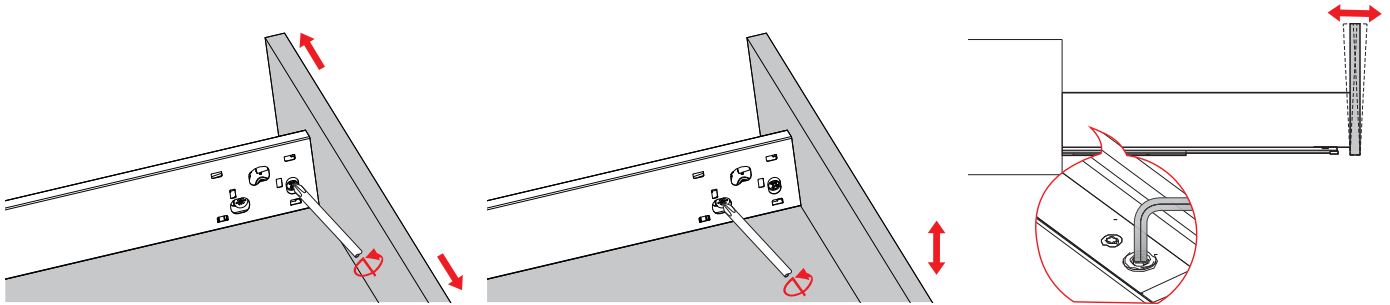


Drawer Front Assembly

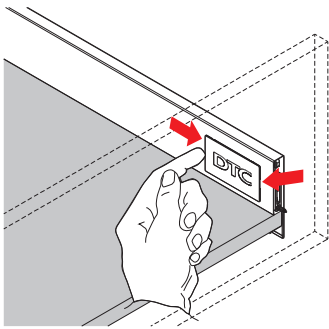
Slide into the cabinet



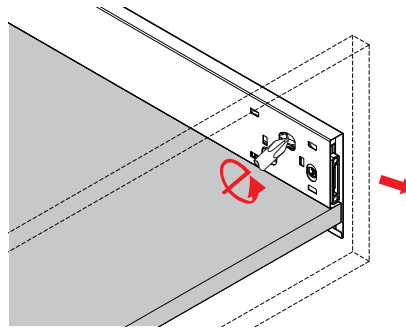
Adjustments



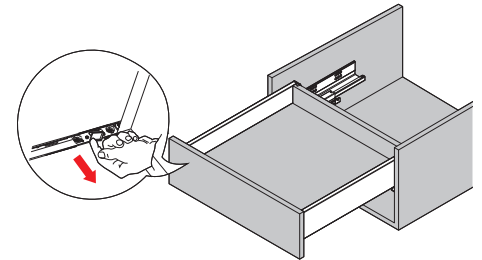
Removal



Remove the cover cap



Turn screw driver to release the drawer front



Press the locking device under the drawer box and pull out the drawer