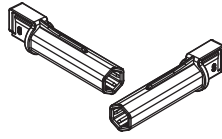
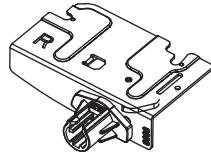
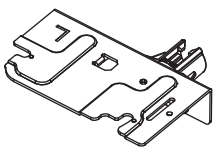


# King Slide®

## SIMLEAD Metal Drawer System Push-open Synchronization Rod Installation Instruction

### Components



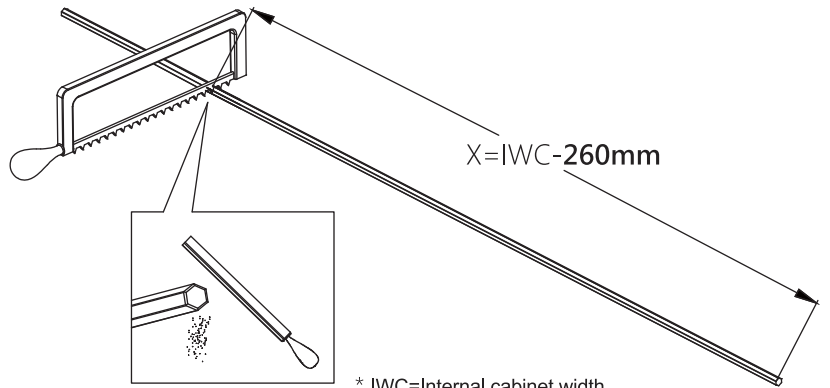
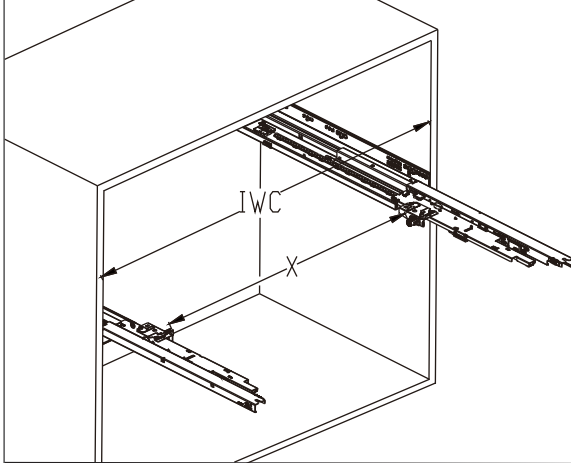
Synchronization Rod Connector(L)x1

Synchronization Rod Connector(R)x1

Synchronization Rod Adapterx2

Synchronization Rodx1 (1m)

### Length Measurement & Cut Out



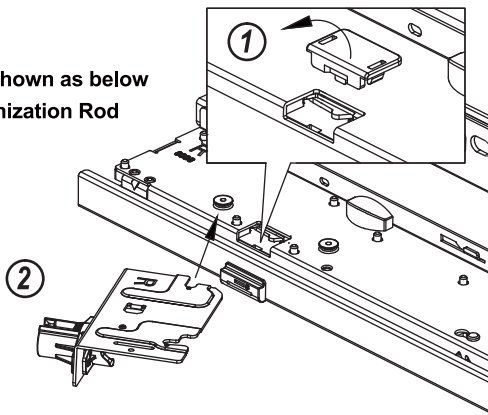
\* IWC=Internal cabinet width

\* Remove burrs on the cutting edges.

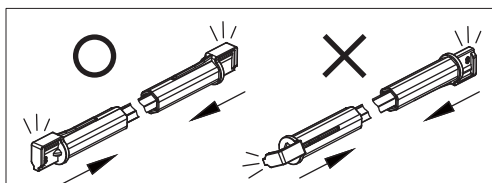
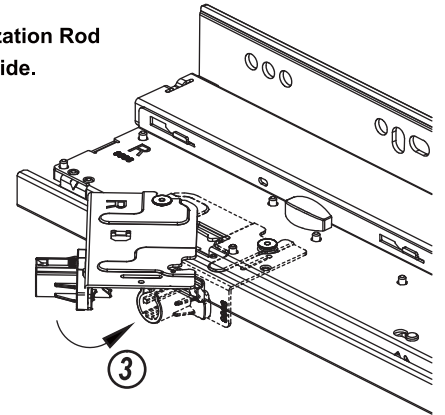
### Installation Instruction

**1** Remove the cap.

**2** Follow the direction shown as below to insert the Synchronization Rod Connector.



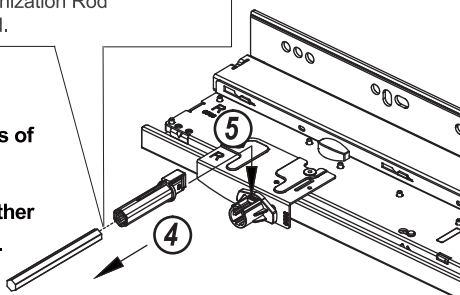
**3** Insert the Synchronization Rod Connector onto the slide.



\* The angle of the Synchronization Rod Adapters must be aligned.

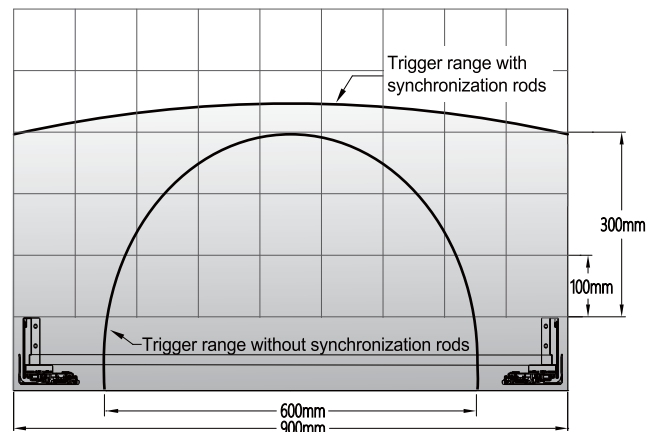
**4** Attach the synchronization rod connectors to both sides of the trimmed rod.

**5** Press to firmly connect together until "click" sound is heard.



\* Remove the Synchronization Rod Connectors attach to the slide. When synchronization rod is not used.

### Push-Open Trigger Range



\* The example of height B is shown in the diagram. The actual trigger range may vary in accordance with the precision of installation.