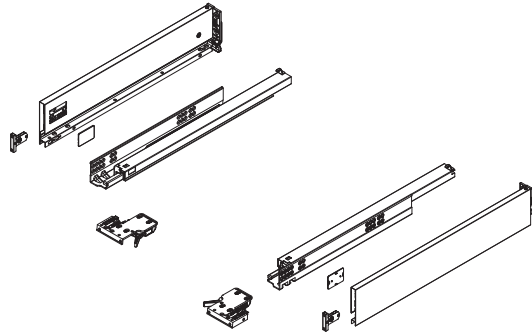
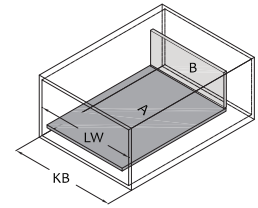
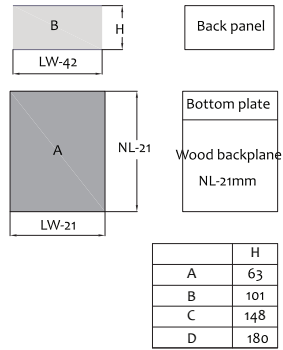


What's in the Box

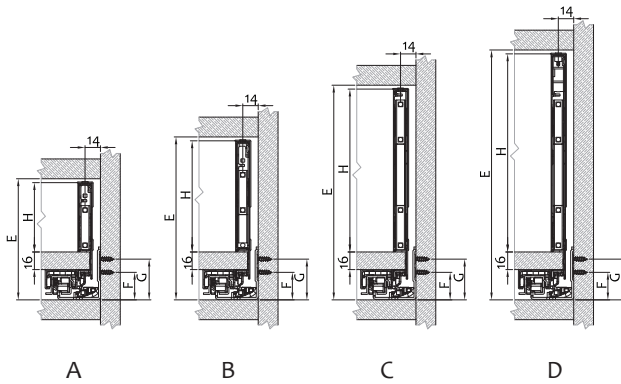


Cutting Dimensions of 16mm thick Material

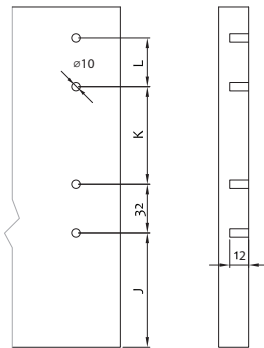


KB : Cabinet width
 LW : Internal cabinet width
 NL : Nominal length
 H : Back panel height

Installation Dimensions

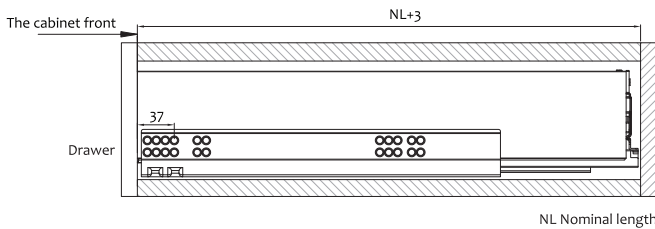


Front Panel Drilling Dimensions

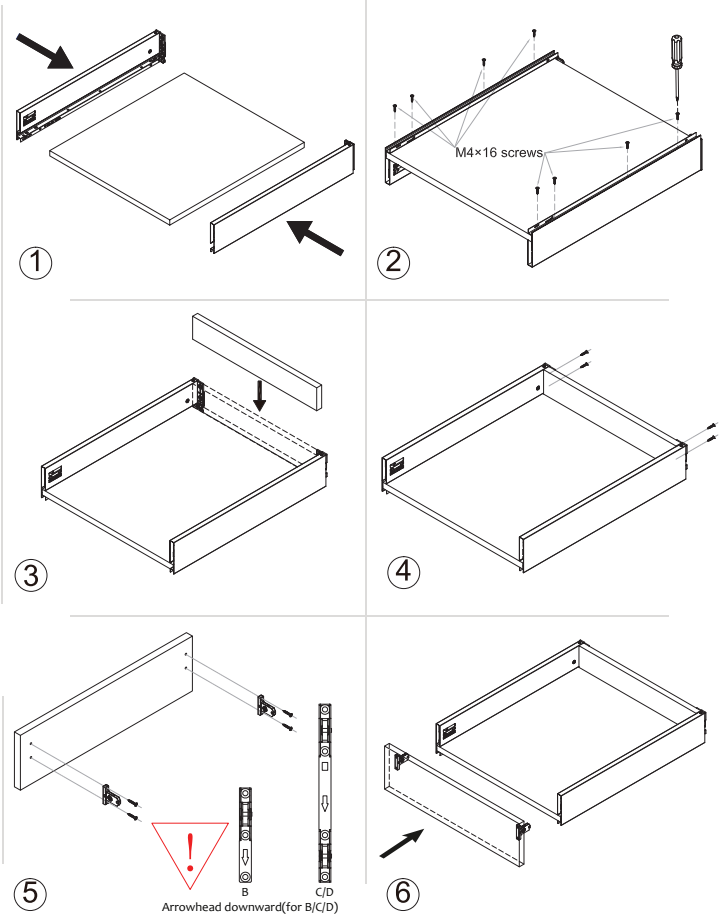


	E (min)	F (min)	G (min)	J (min)	K	L
A	110				/	/
B	148	25.5	37.5	49	32	/
C	195				64	32
D	227				64	32

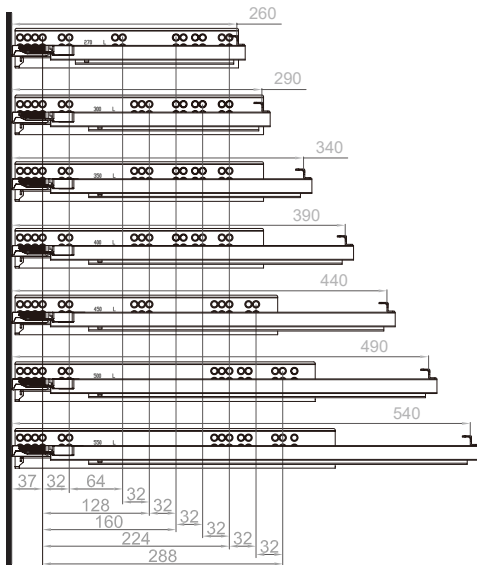
Installation Dimensions



Drawer Installation

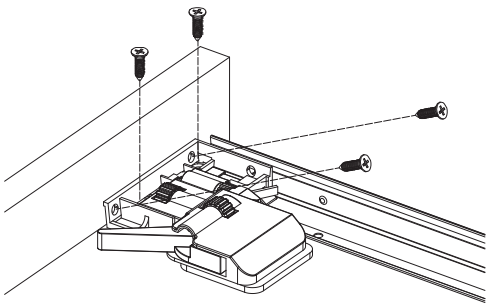


Drilling Pattern

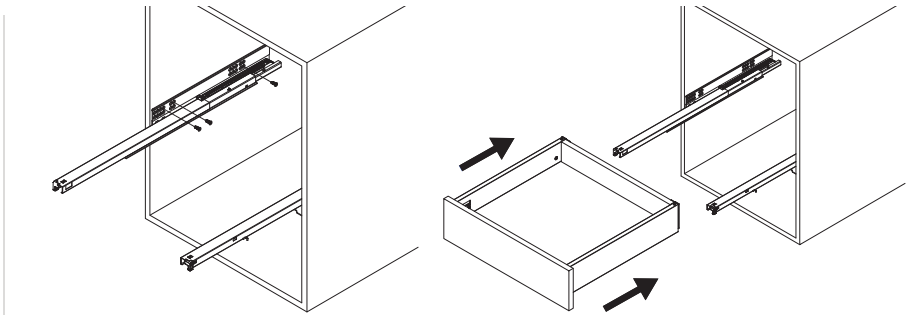


Arrowhead downward (for B/C/D)

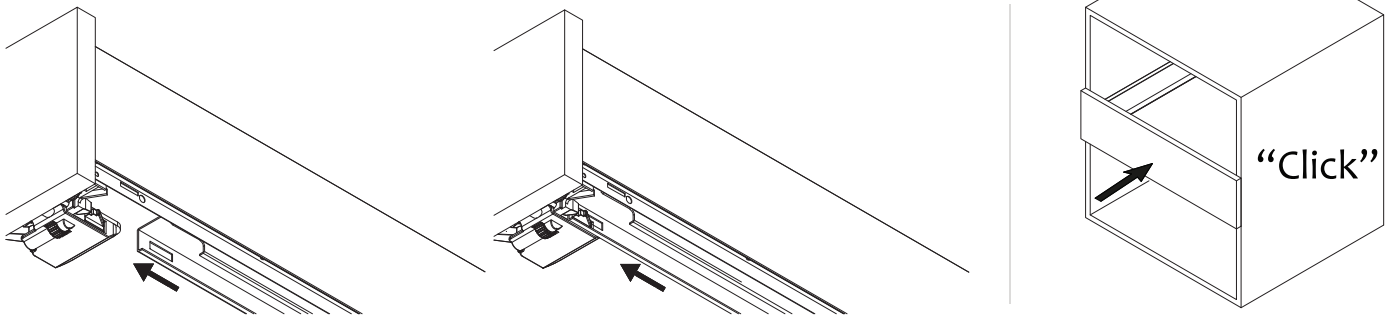
3D Locking Clip Assembly



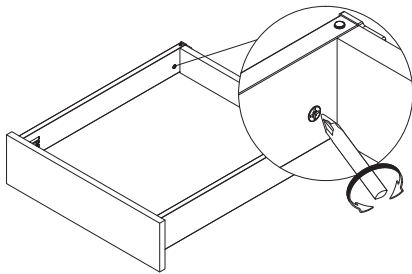
Drawer Assembly



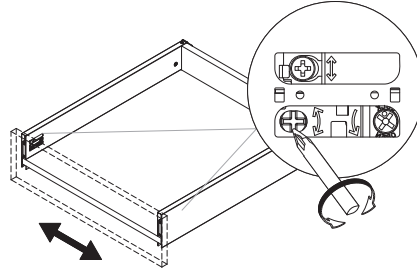
Drawer Box Assembly



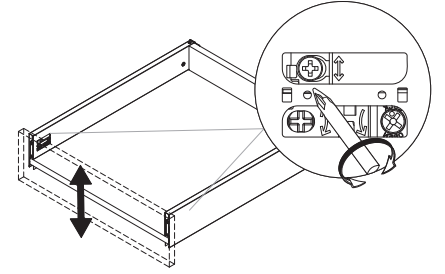
Drawer Box Adjustment



The panel left and right adjustment $+4$ mm.

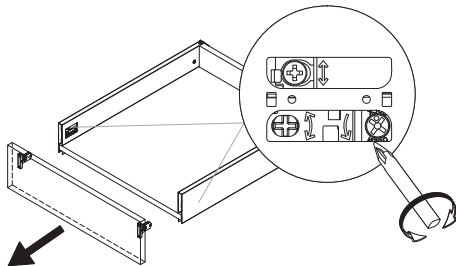


The panel left and right adjustment ± 1.5 mm.



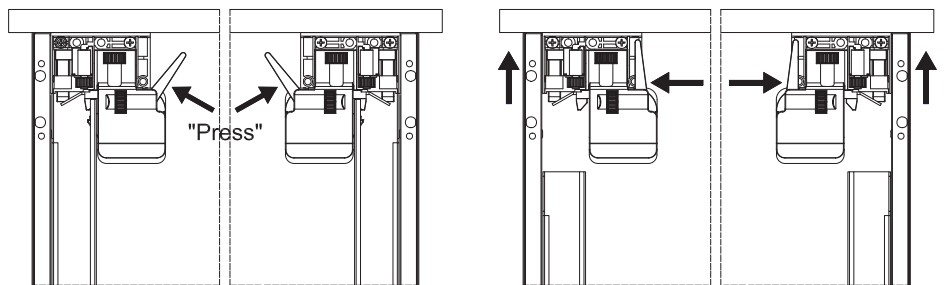
The panel up and down adjustment ± 1.5 mm.

Drawer Front Removal



The panel is disassembled.

Drawer Removal



Drawer Removal

