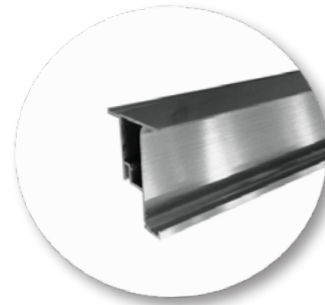


Profile for Vertical Door and End Panel. 3m Length

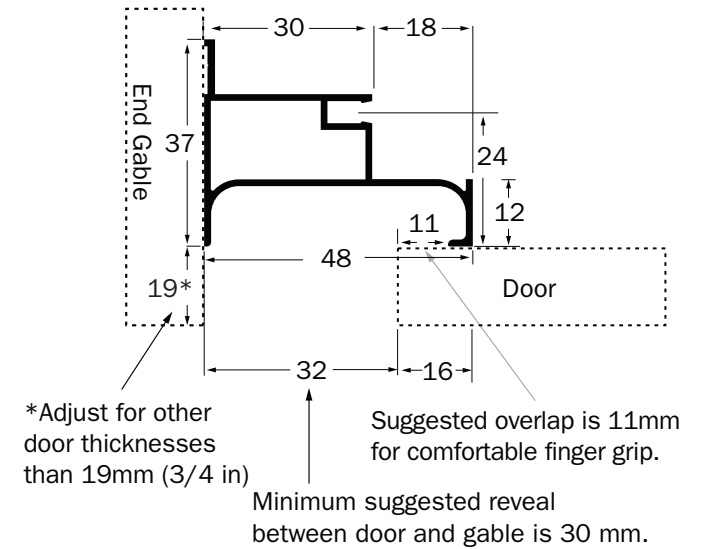
Part#	Finish
1685-AV1-SS	Stainless Steel Look
1685-AV1-MB	Matte Black
1685-AV1-AN	Anodized Matte

Material: Aluminum
 Dimensions: 3000 x 48 x 37 mm

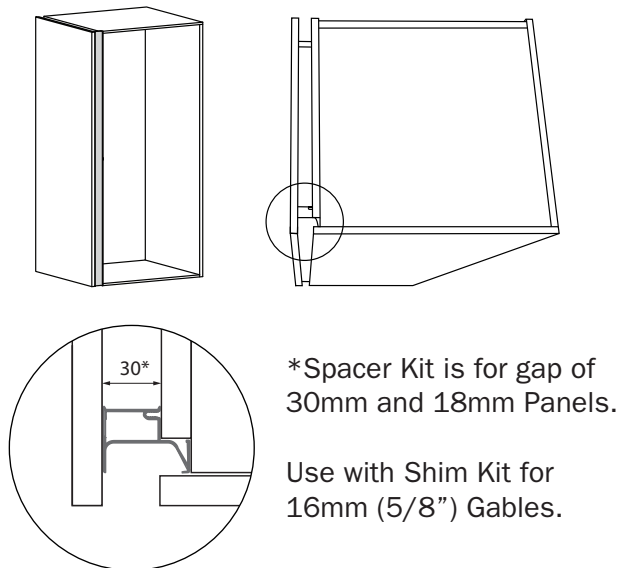
- Used for single vertical opening doors where end panel fitted beside
- Cut to size with straight cuts only using a chop or mitre saw
- Install to gable with wood screws
- Use Spacer Kits to maintain 30mm gap
- Add 1 side shims from Shim Kits with Spacer Kits for 16mm (5/8") panels.



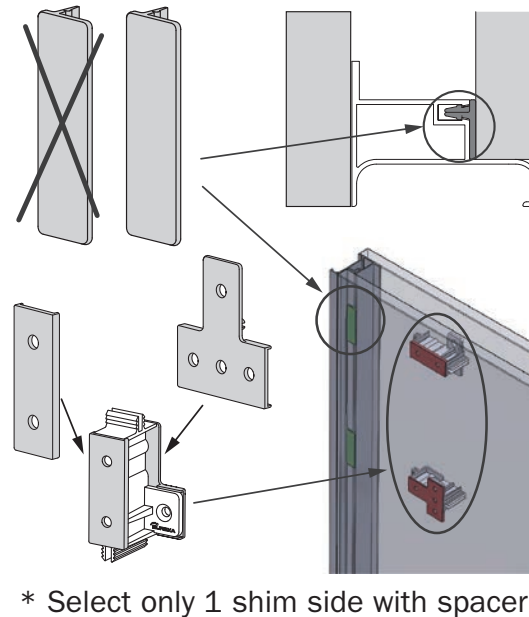
Dimensions



Application - One Vertical Doors & End Panel



Use of Spacer and Shim Kits



Fixing Details

