

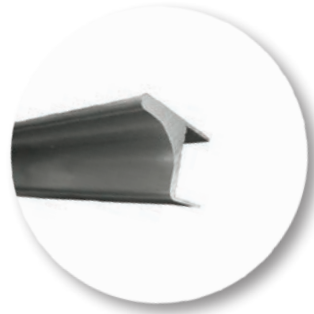
## Technical Specifications

Upper Cabinet Profile, for Behind Door on 16mm Panel, 3m Length	
Part#	Finish
1645-2APC-SS	Stainless Steel Look
1645-2APC-MB	Matte Black
1645-2APC-AN	Anodized Matte

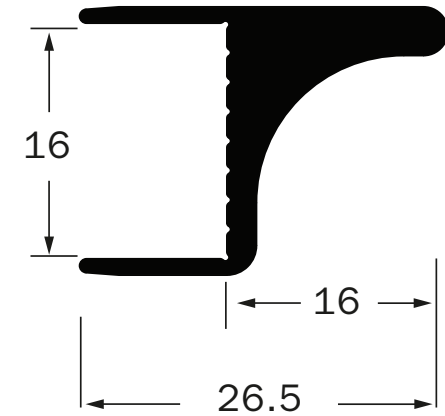
Material: Aluminum

Dimensions: 3000 x 26.5 x 16mm

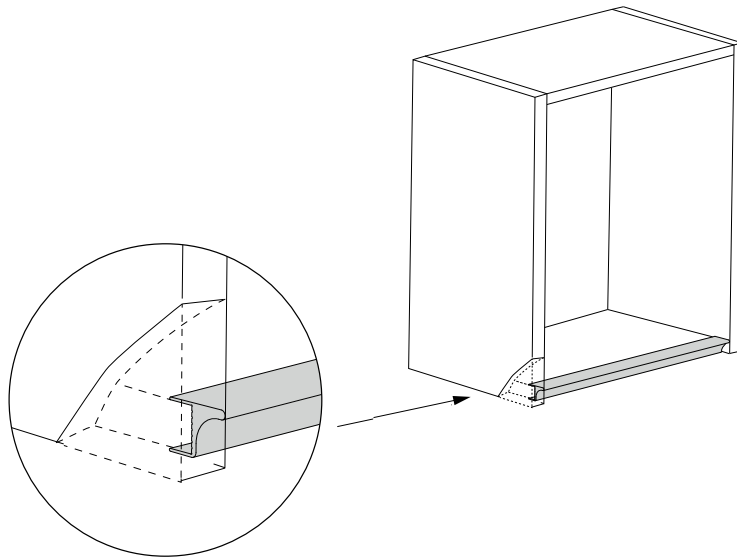
- Concealed profile used on upper cabinets behind door
- Cut to size with straight cuts only using a chop or mitre saw
- Remove 16mm from bottom panel and push to install with adhesive
- Fits over 16mm (5/8") panels only
- No need to cut extra slot in bottom panel for fitting



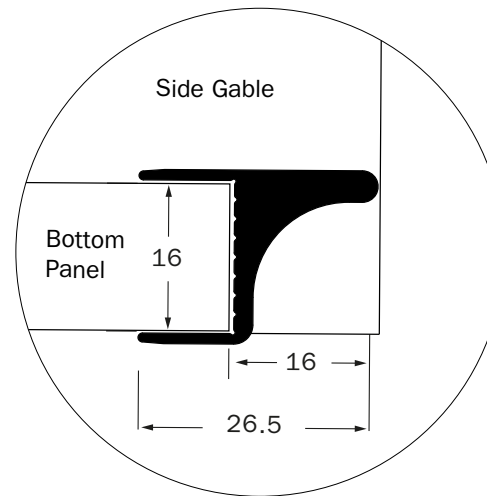
## Dimensions



## Application and Installation



## Installation Instructions



Remove 16mm from bottom panel inside cabinet that sits behind cabinet door.

Push profile over cut end and apply adhesive to securely fasten.

No need to further edgeband bottom panel or cut extra slots for fitting the profile to panel.