

L-Shape Profile Profile for Horizontal Under Countertops, 3m Length

Part#	Finish
1682-AUC-SS	Stainless Steel Look
1682-AUC-MB	Matte Black
1682-AUC-AN	Anodized Matte

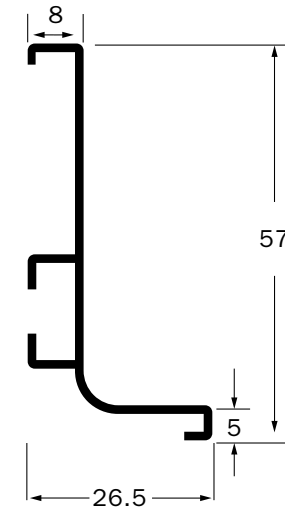
Material: Aluminum

Dimensions: 3000 x 57 x 26.5 mm

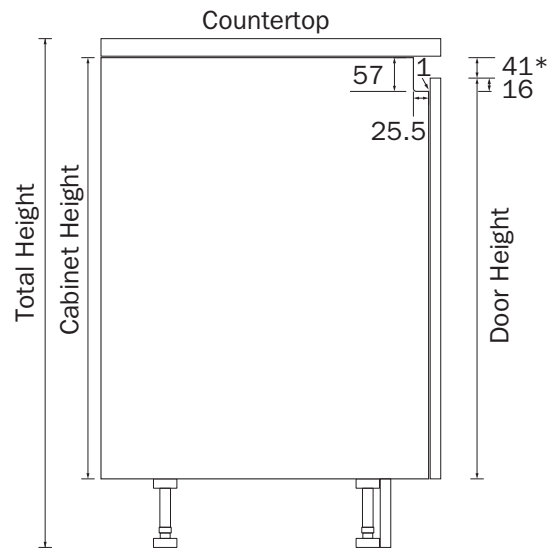
- For under the countertop both above doors or top drawers
- Cut to size with straight cuts only using a chop or mitre saw
- Quick install using clip connectors
- Profiles can be fitted with end caps, covered by your end panel or joined at corners using special inside/outside corner joint connectors
- Base cabinets need to be routed out to fit profiles



Dimensions



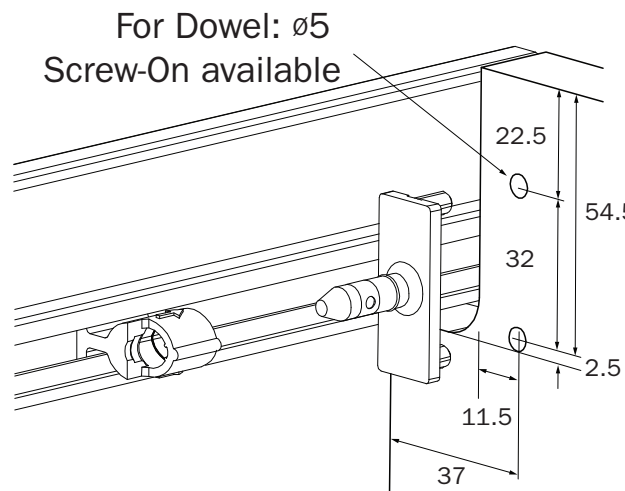
Base Cabinet Side



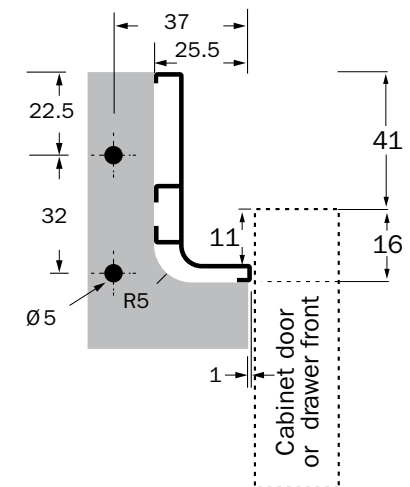
Door Height = Cabinet Height - 41mm

* Recommended Dimensions.
Minimum Gap Suggested 30mm.

Fixing Details



Routing Details



Suggested reveal between drawer fronts is 41mm.
Minimum suggested between fronts is 30mm.
Suggested overlap is 11mm for comfortable grip.