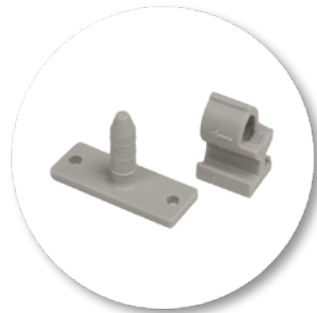


Mounting Clips for Horizontal Profiles

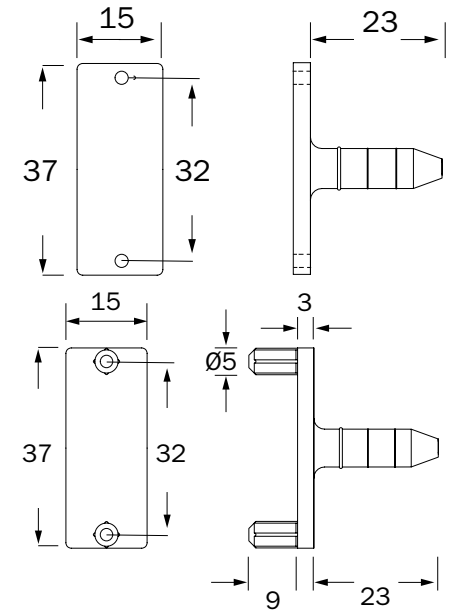
Part#	Description
1682-AP8	Mounting Clip, Screw-On
1682-AP9	Mounting Clip, Plastic Dowel (5mm)

Material: Plastic
 Dimensions: 37 x 15 x 23mm

- For Horizontal Base Cabinet Profiles only
- Screw-On or Plastic Dowel (5mm) versions
- Uses 32mm standard drillings (37x32mm)
- Fastens behind profile to end gable
- Slide receiving part into back of profile and quick snap together both pieces to securely fasten



Dimensions



Assembly with Profiles

