

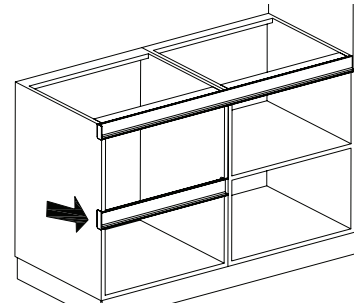
## Technical Specifications

Open Cover Cap for C-Shape Profiles		
Part#	Side	Finish
1683-APIU-SS	Universal	Stainless Steel Look
1683-APIU-MB	Universal	Matte Black
1683-APIU-AN	Universal	Anodized Matte

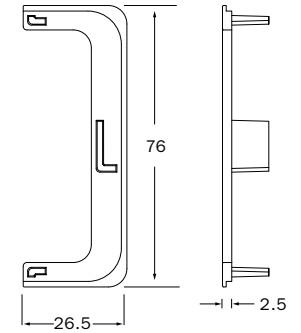
Material: Plastic

Dimensions: 76 x 26.5 x 2.5 mm

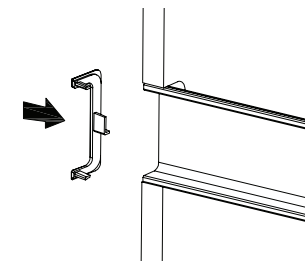
- Trim profiles 2.5mm less than measured length to fit
- Use to cover profile cut ends
- Quick fit; push together



### Dimensions



### Fitting

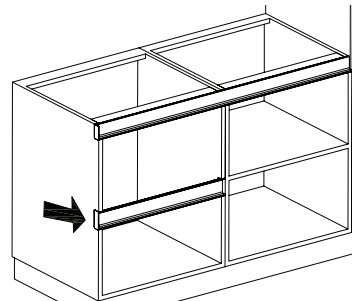


Closed Cover Cap for C-Shape Profiles		
Part#	Side	Finish
1683-AP2U-SS	Universal	Stainless Steel Look
1683-AP2U-MB	Universal	Matte Black
1683-AP2U-AN	Universal	Anodized Matte

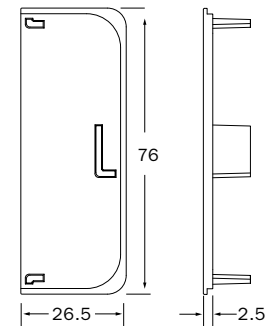
Material: Plastic

Dimensions: 76 x 26.5 x 2.5 mm

- Trim profiles 2.5mm less than measured length to fit
- Use to cover profile cut ends
- Quick fit; push together



### Dimensions



### Fitting

