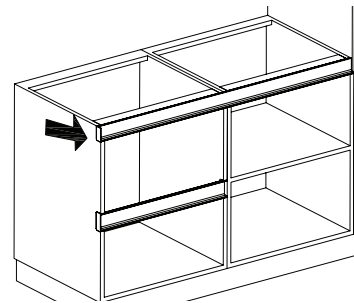


Open Cover Cap for L-Shape Profiles

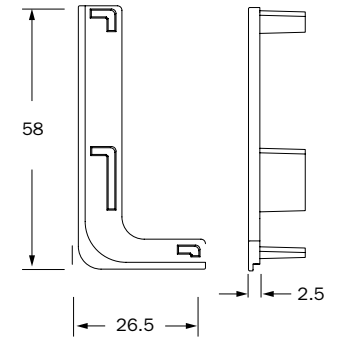
Part#	Side	Finish
1682-APIR-SS	Right	Stainless Steel Look
1682-APIR-MB	Right	Matte Black
1682-APIR-AN	Right	Anodized Matte
1682-APIL-SS	Left	Stainless Steel Look
1682-APIL-MB	Left	Matte Black
1682-APIL-AN	Left	Anodized Matte

Material: Plastic  
 Dimensions: 58 x 26.5 x 2.5 mm

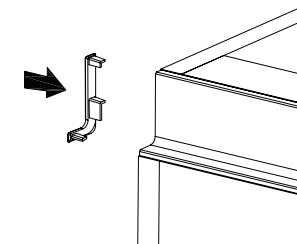
- Trim profiles 2.5mm less than measured length to fit
- Use to cover profile cut ends
- Quick fit; push together



Dimensions



Fitting

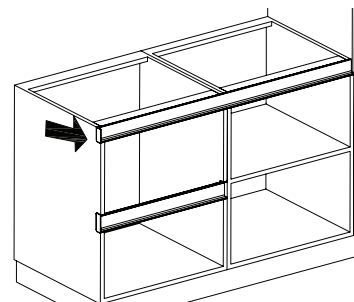


Closed Cover Cap for L-Shape Profiles

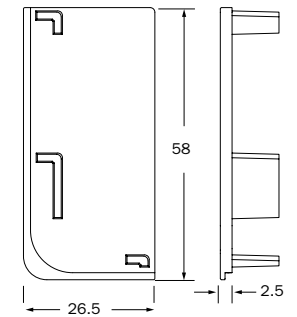
Part#	Side	Finish
1682-AP2R-SS	Right	Stainless Steel Look
1682-AP2R-MB	Right	Matte Black
1682-AP2R-AN	Right	Anodized Matte
1682-AP2L-SS	Left	Stainless Steel Look
1682-AP2L-MB	Left	Matte Black
1682-AP2L-AN	Left	Anodized Matte

Material: Plastic  
 Dimensions: 58 x 26.5 x 2.5 mm

- Trim profiles 2.5mm less than measured length to fit
- Use to cover profile cut ends
- Quick fit; push together



Dimensions



Fitting

