

Technical Specifications

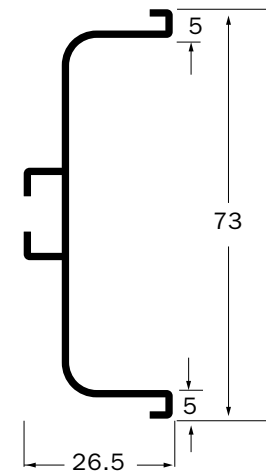
C-Shape Profile for Horizontal Between Drawers, 3m Length	
Part#	Finish
1683-AID-SS	Stainless Steel Look
1683-AID-MB	Matte Black
1683-AID-AN	Anodized Matte

Material: Aluminum
 Dimensions: 3000 x 73 x 26.5 mm

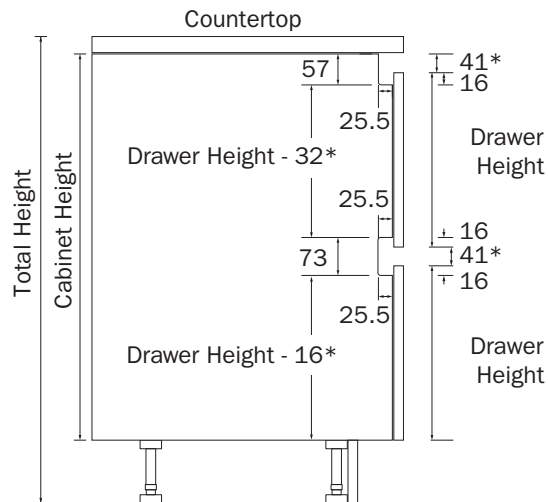
- Intended for between two drawers
- Cut to size with straight cuts only using a chop or mitre saw
- Quick install using clip connectors
- Profiles can be fitted with end caps or by your end panels
- Base cabinets need to be routed out to fit profiles



Dimensions



Base Cabinet Side

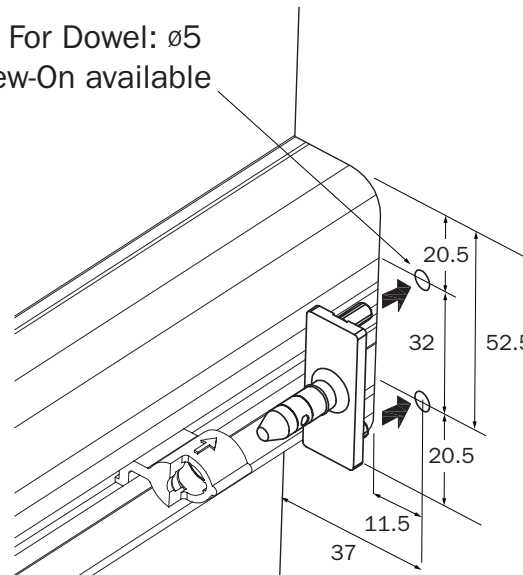


$$\text{Door Heights} = (\text{Cabinet Height} - 82^*) \div 2$$

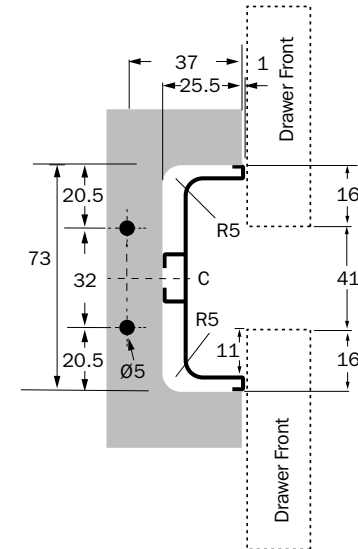
* Recommendation based upon two equal drawers.
 Adjust accordingly. Minimum Gap Suggested 30mm.

Fixing Details

For Dowel: $\varnothing 5$
 Screw-On available



Routing Details



Suggested reveal between drawer fronts is 41mm.
 Minimum suggested between fronts is 30mm.
 Suggested overlap is 11mm for comfortable grip.