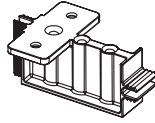
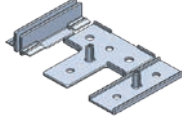


Vertical Door Installation Kits

(A) Spacer Kit  
1619-7SP



(B) Shim Kit for 16mm Panels  
1627-2SH



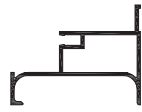
Vertical Door Applications

(C) C-Profile for Vertical Double Doors

1684-AV2-SS Stainless Look  
1684-AV2-MB Matte Black  
1684-AV2-AN Anodized Matte

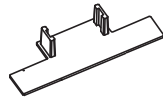


(D) L-Profile for Vertical Single Door  
1685-AV1-SS  
1685-AV1-MB Stainless Look  
1685-AV1-AN Matte Black  
Anodized Matte



(E) Closed End Cap for Vertical Doors

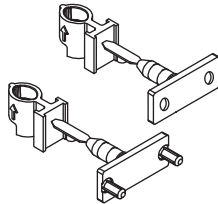
1684-AP1TB-SS Stainless Look  
1684-AP1TB-MB Matte Black  
1684-AP1TB-AN Anodized Matte



Horizontal Profile Mounting Clips

(F) Mounting Clips for Horizontal Profiles

1682-AP8 Screw-On  
1682-AP9 Plastic Dowel



Horizontal C-Shape - Between Drawers

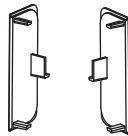
(G) C-Profile for Between Drawers

1683-AID-SS Stainless Look  
1683-AID-MB Matte Black  
1683-AID-AN Anodized Matte



(H) Closed End Cap, C-Shape, Universal

1683-AP2U-SS Stainless Look  
1683-AP2U-MB Matte Black  
1683-AP2U-AN Anodized Matte



(I) Open End Cap, C-Shape, Universal

1683-AP1U-SS Stainless Look  
1683-AP1U-MB Matte Black  
1683-AP1U-AN Anodized Matte



Upper Cabinet Door Profile

(J) Upper Cabinet Profile

1645-2APC-SS Stainless Look  
1645-2APC-MB Matte Black  
1645-2APC-AN Anodized Matte



Horizontal L-Shape - Under Countertops

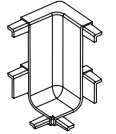
(K) L-Profile for Under Countertop

1682-AUC-SS Stainless Look  
1682-AUC-MB Matte Black  
1682-AUC-AN Anodized Matte



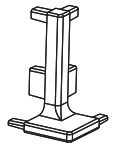
(L) 90° Inside Corner Joint

1682-AP4-SS Stainless Look  
1682-AP4-MB Matte Black  
1682-AP4-AN Anodized Matte



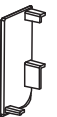
(M) 90° Outside Corner Joint

1682-AP5-SS Stainless Look  
1682-AP5-MB Matte Black  
1682-AP5-AN Anodized Matte



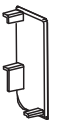
(N) Closed End Cap, L-Shape, Left

1682-AP2L-SS Stainless Look  
1682-AP2L-MB Matte Black  
1682-AP2L-AN Anodized Matte



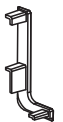
(O) Closed End Cap, L-Shape, Right

1682-AP2R-SS Stainless Look  
1682-AP2R-MB Matte Black  
1682-AP2R-AN Anodized Matte



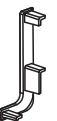
(P) Open End Cap, L-Shape, Left

1682-AP1L-SS Stainless Look  
1682-AP1L-MB Matte Black  
1682-AP1L-AN Anodized Matte

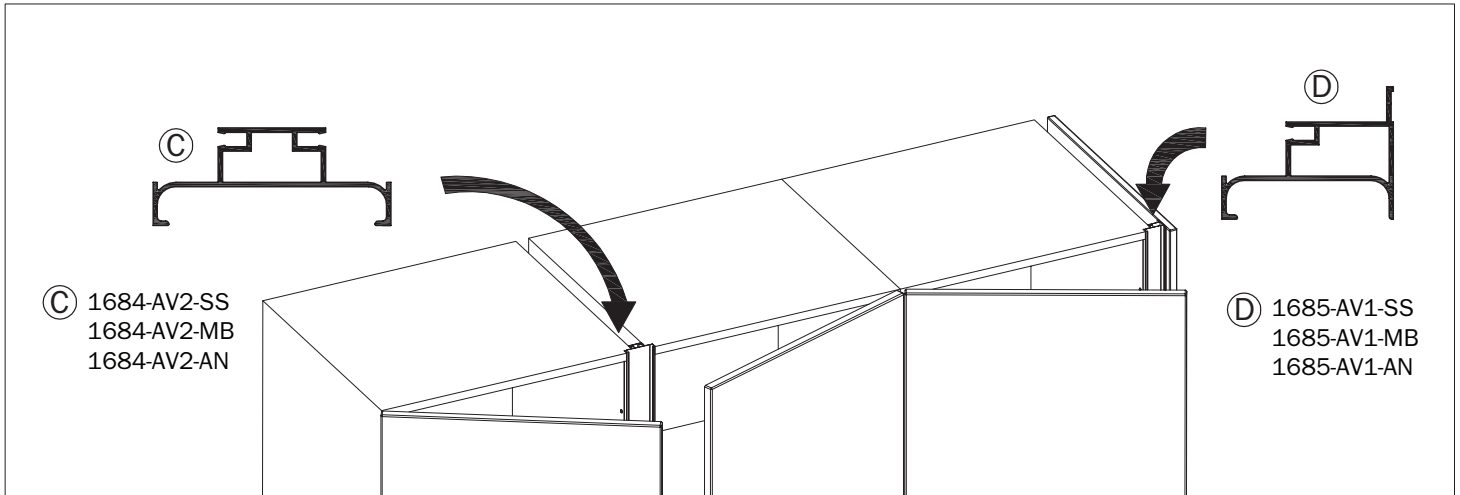


(Q) Open End Cap, L-Shape, Right

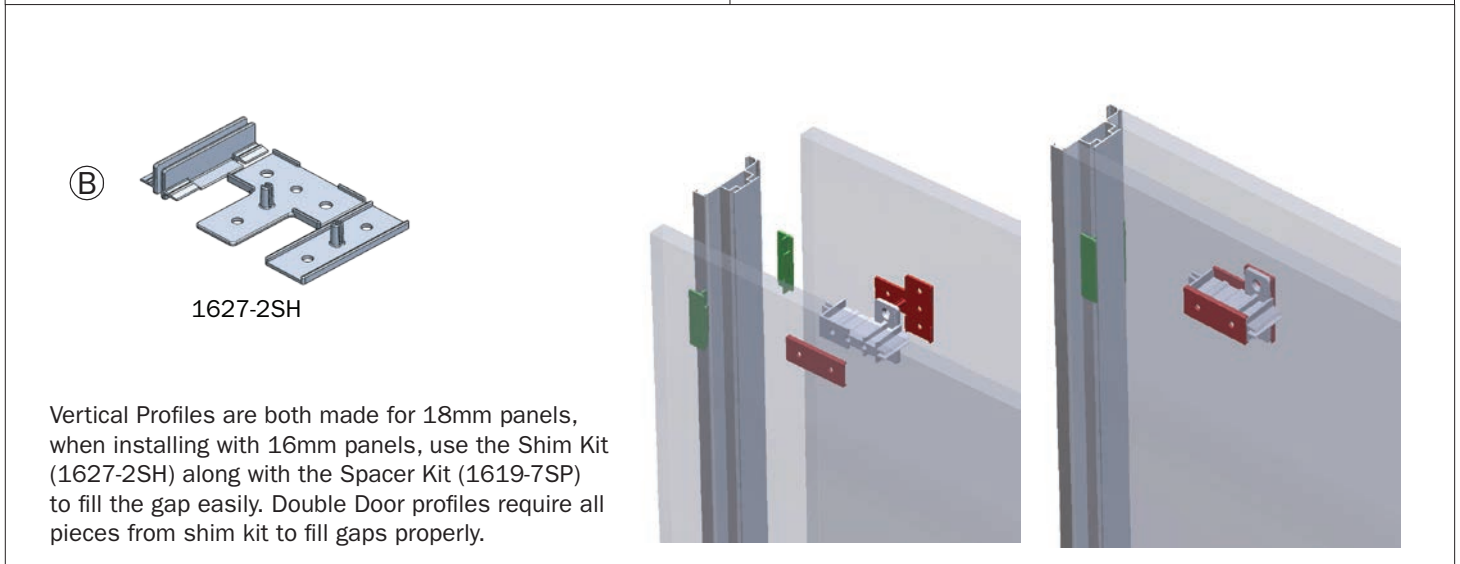
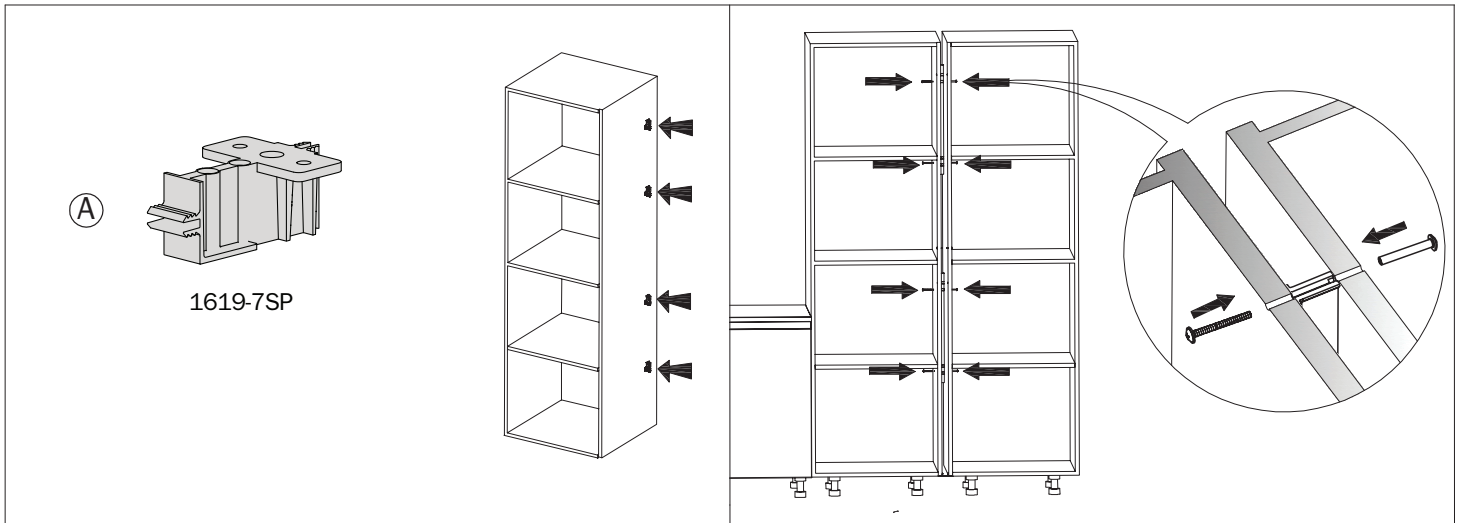
1682-AP1R-SS Stainless Look  
1682-AP1R-MB Matte Black  
1682-AP1R-AN Anodized Matte



Assembly for Vertical Cabinets: Double Doors or Single Doors with End Panel

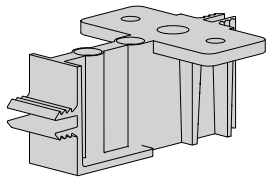
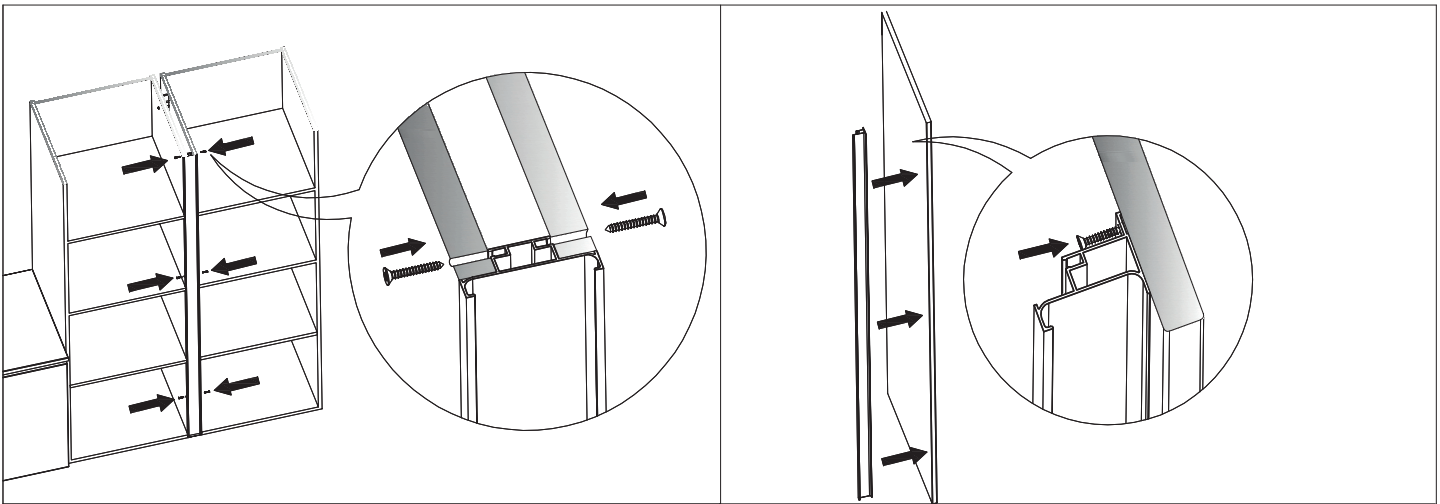


Assembly for Vertical Cabinet: Double Doors

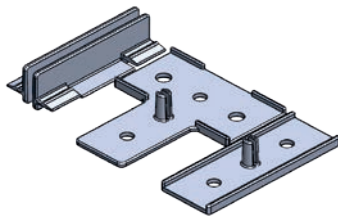


Assembly for Vertical Cabinet: Double Doors

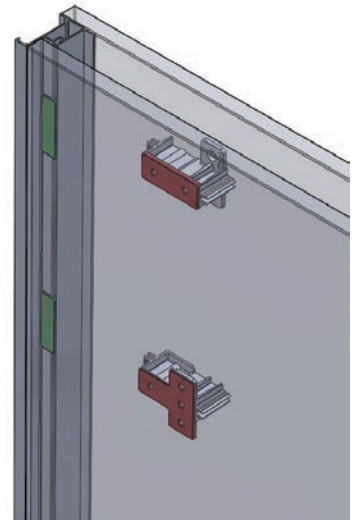
Assembly for Vertical Cabinet: One Door with End Panel



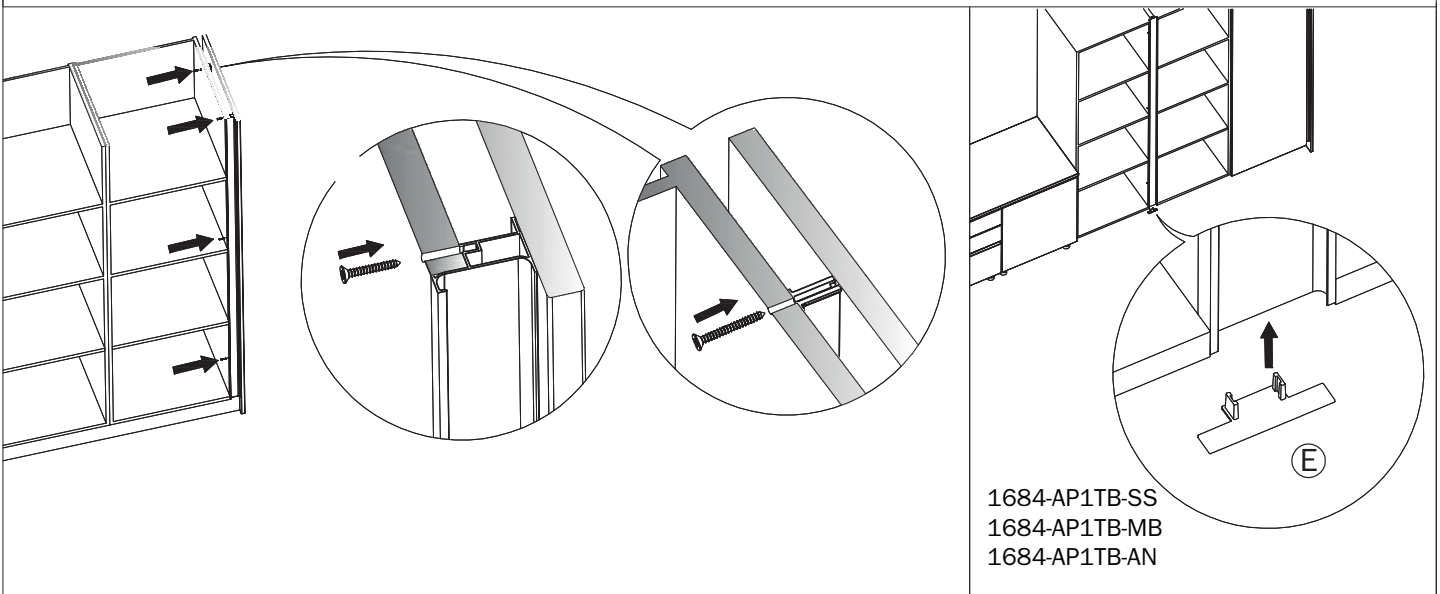
Ⓐ 1619-7SP



Ⓑ 1627-2SH

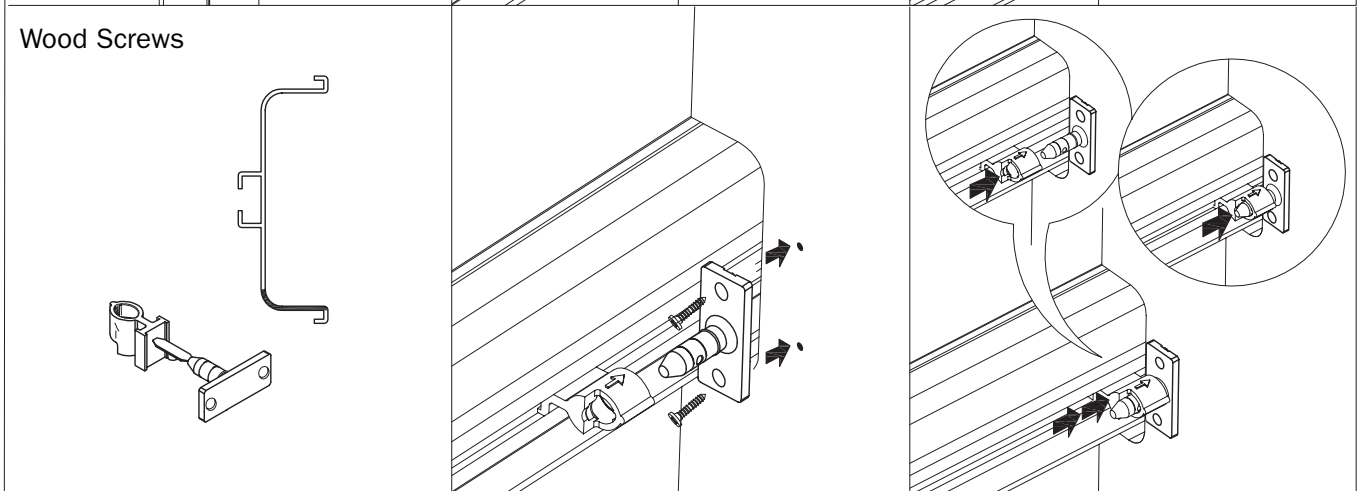
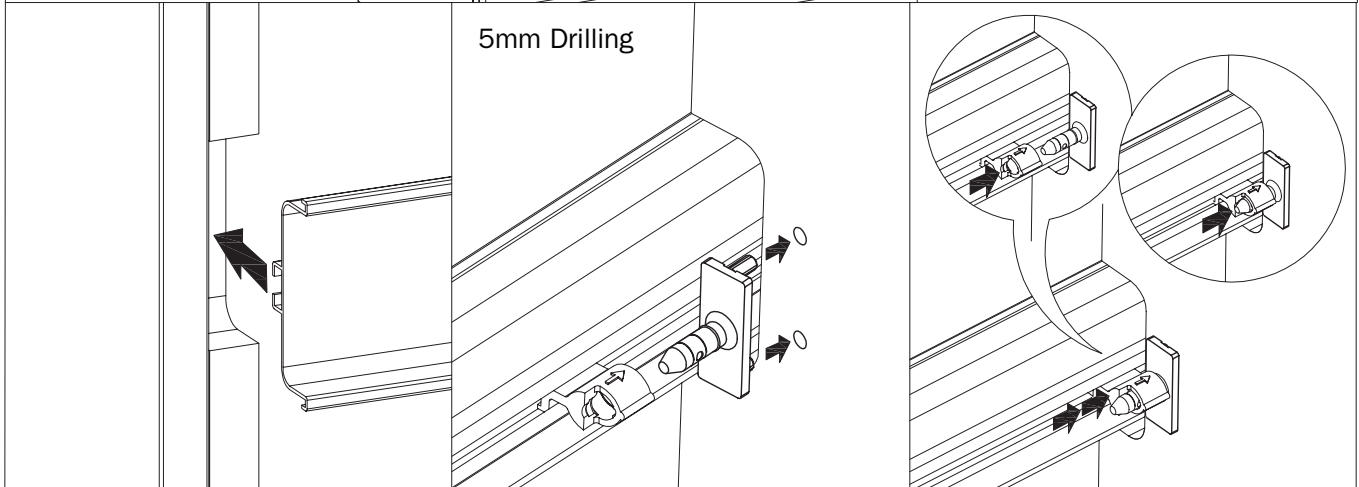
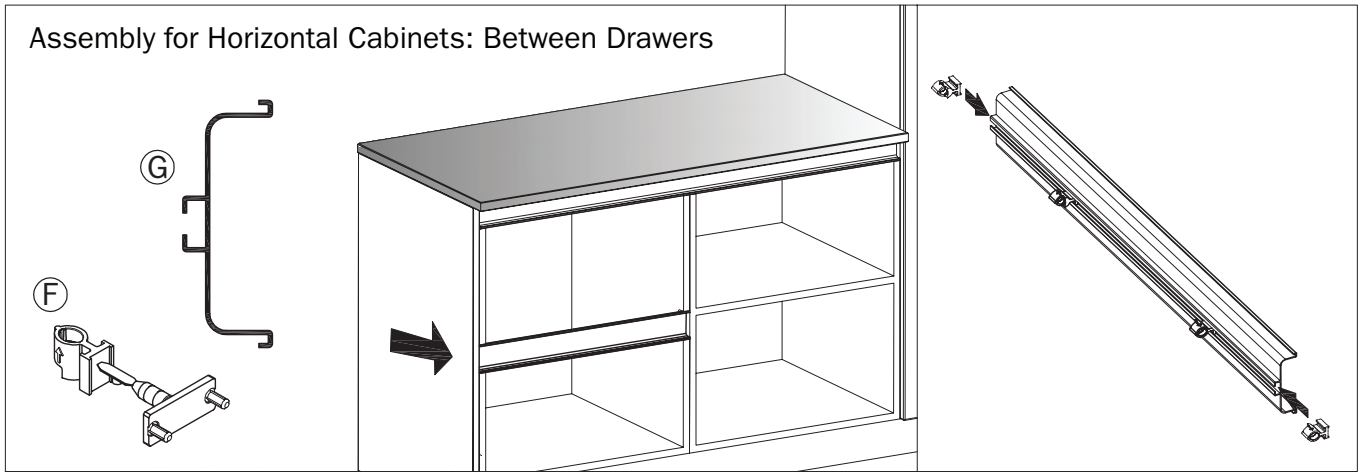


Vertical Profiles are both made for 18mm panels, when installing with 16mm panels, use the Shim Kit (1627-2SH) along with the Spacer Kit (1619-7SP) to fill the gap. One Door Profiles only need 2mm gap filled. Use only half of shims and discard remainder.

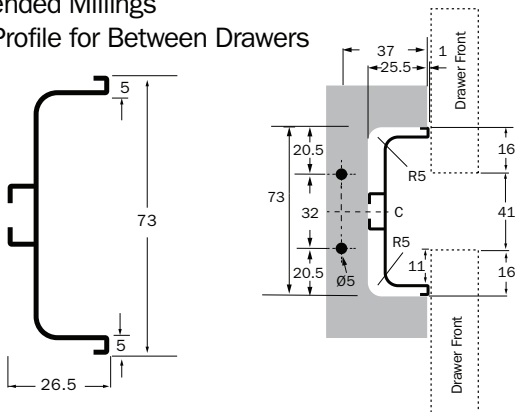


1684-AP1TB-SS  
1684-AP1TB-MB  
1684-AP1TB-AN

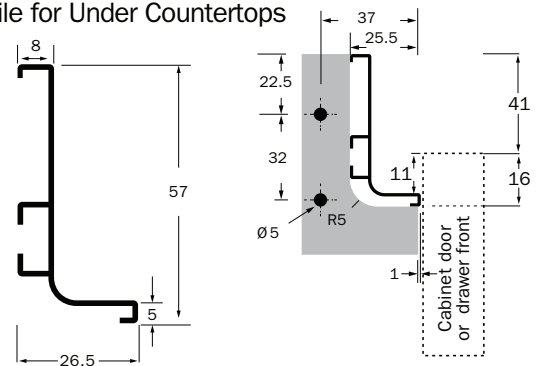
Ⓔ

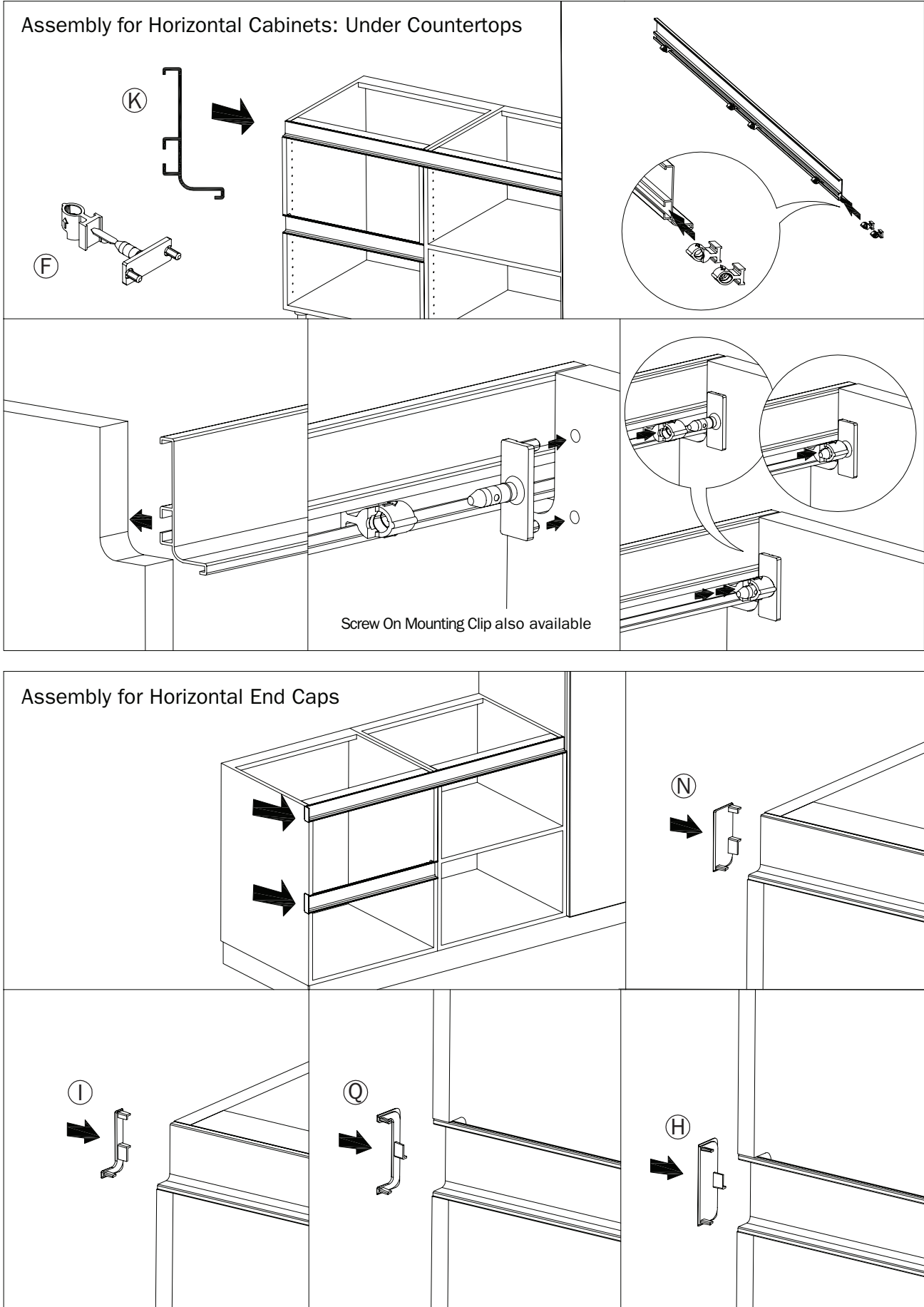


Recommended Millings  
C-Shape Profile for Between Drawers

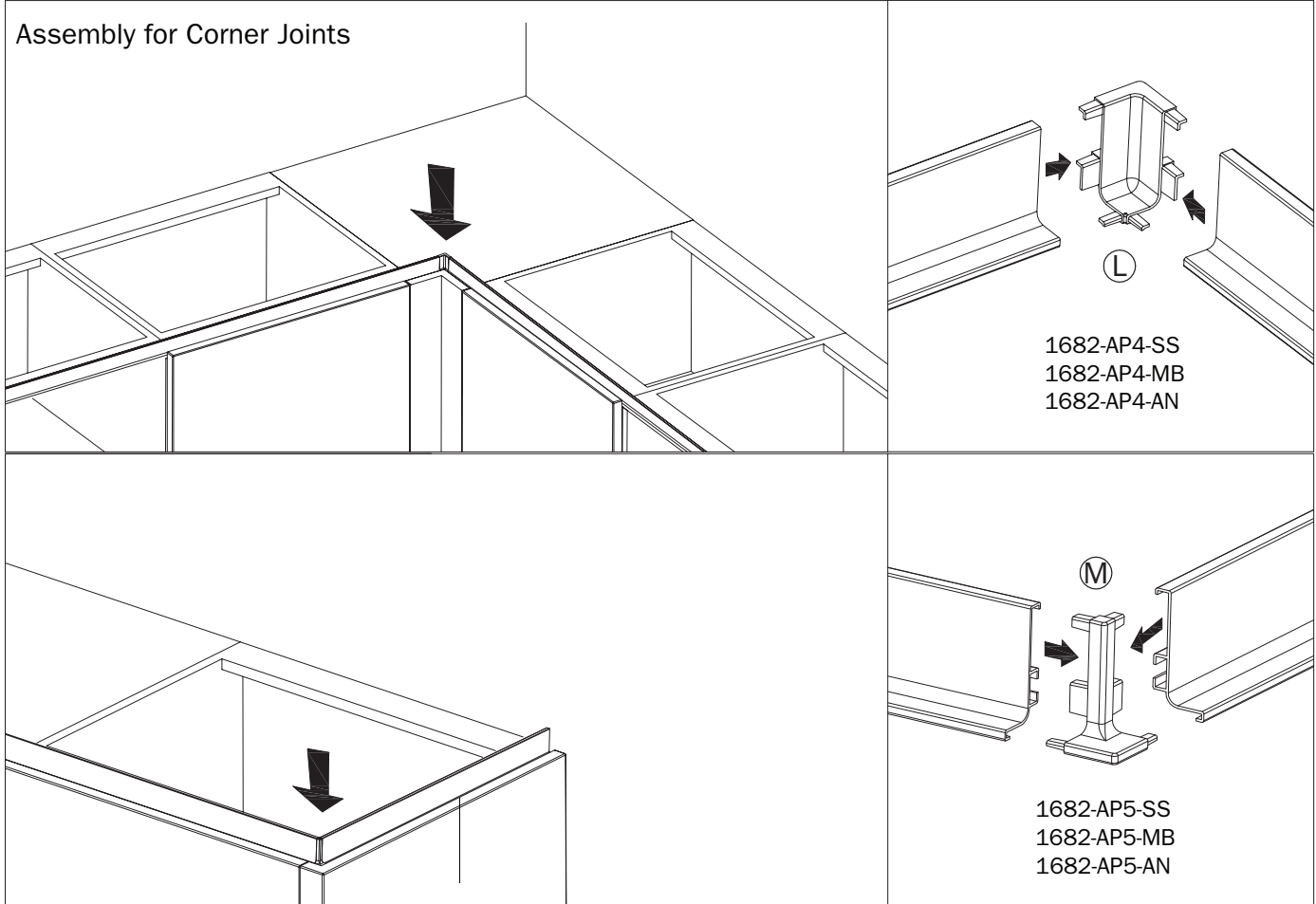


L-Shape Profile for Under Countertops

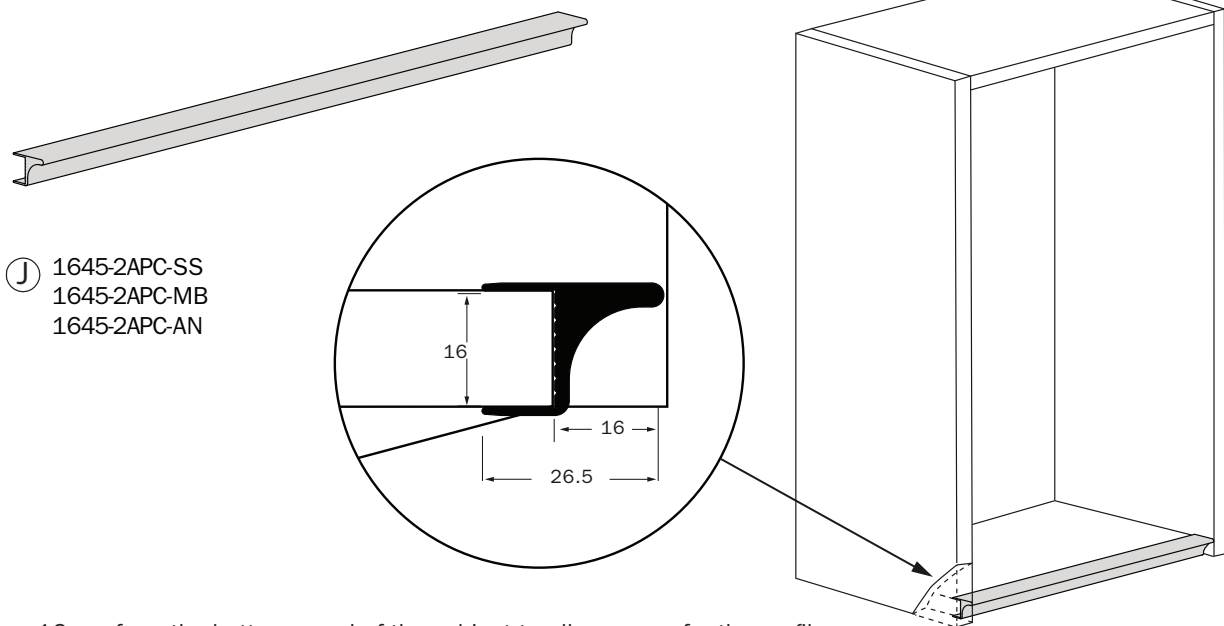




Assembly for Corner Joints



Assembly for Upper Cabinets



Remove 16mm from the bottom panel of the cabinet to allow space for the profile.  
Push profile over cut end and apply adhesive to fasten securely.