



Libra H7 profile for cabinet cut to size

Part Number: IF6702000000

Libra H7 Profile for Cabinet, Cut to Size

Customizable Libra H7 profile for mounting standard cabinets.

Product Description

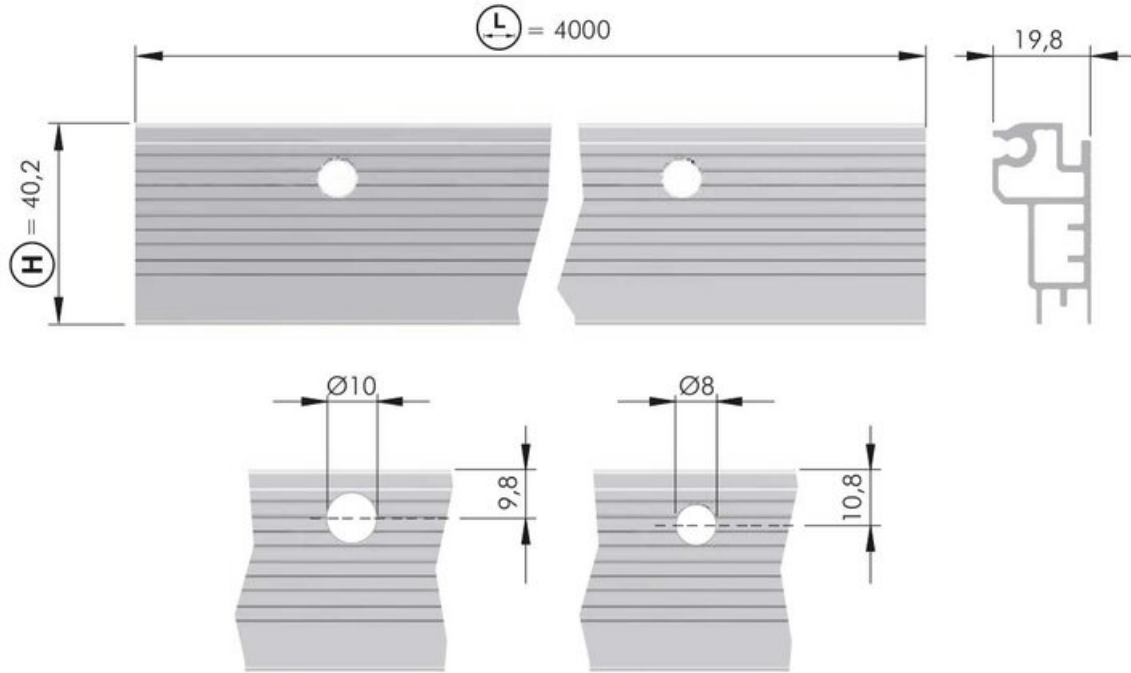
The LIBRA H7 cabinet hanger is a versatile and reliable solution designed for heavy wall-mounted cabinets and deep drawers. Its easy internal adjustment mechanism allows for precise leveling, while its sleek, low-profile design ensures it won't interfere with drawer slides or other hardware. Ideal for use in kitchens, bathrooms, vanities, or commercial displays, the LIBRA H7 provides both strength and convenience. It can be mounted using either screws or dowels for flexibility during installation, and for added support, optional aluminum bars help distribute weight evenly, ensuring maximum stability and durability over time.

Product Advantages

- Cut-to-size aluminum profile
 - Height: 40.2 mm
 - Total length: 2 m
-



Technical Documents



View this product online at <https://marathonhardware.com/pd/IF670200000>



Technical Documents



View this product online at <https://marathonhardware.com/pd/IF670200000>

