



Kiario Family IR Sensor for KIARO LED

Part Number: IF4670600000

Kiario Family IR Sensor for Kiario Opening System

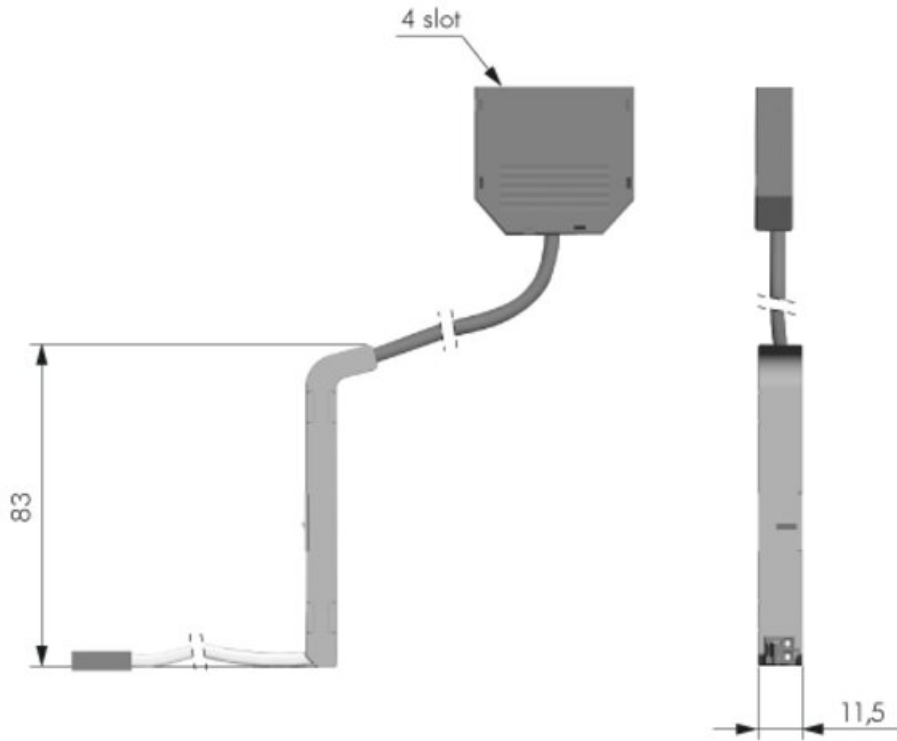
Quick plug add-on to add LED lighting to Kiario and Kiario S. Max 30w with 12Vdc and 60w with 24Vdc.

Product Description

Kiario is a sophisticated opening system designed for drop-down doors, offering both style and functionality. Its concealed, adjustable mechanism adapts seamlessly to different door weights and dimensions, ensuring smooth operation for a variety of applications. The system can be installed on either side of the cabinet, providing flexibility in design. Built with a high-resistance technical wire for long-lasting durability, Kiario comes in two modern finishes to complement any décor. For an added touch of elegance, the system also offers optional integrated LED lighting, making it a sleek and practical solution for any contemporary space.



Technical Documents



View this product online at <https://marathonhardware.com/pd/IF467060000>

Technical Documents

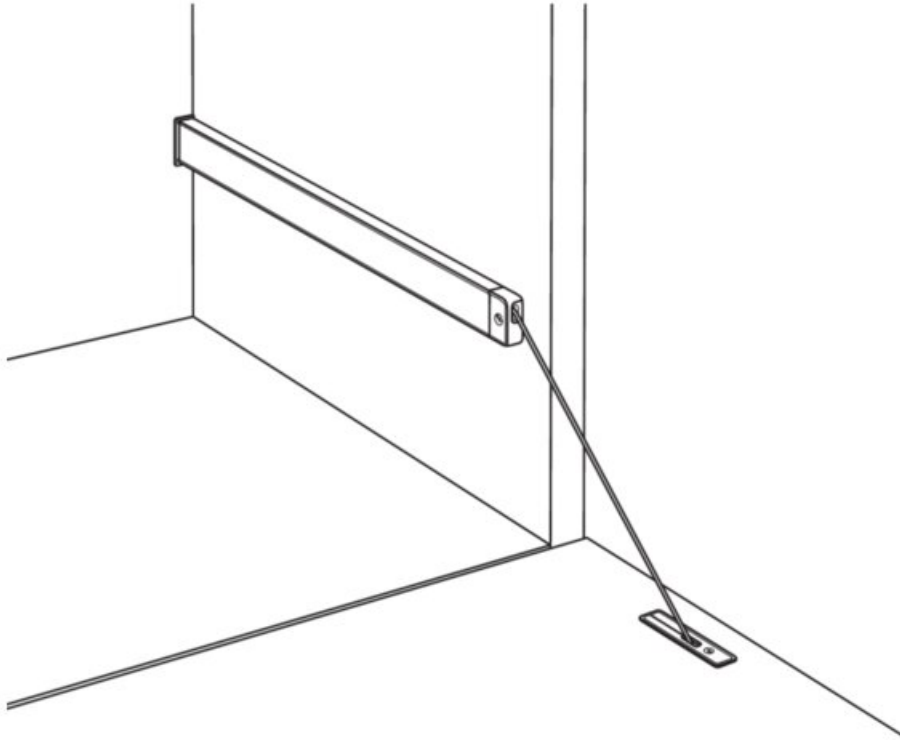


View this product online at <https://marathonhardware.com/pd/IF467060000>



KIARO LED

OPENING SYSTEM



F460002000 Rev. 0



YouTube video instructions ⁽¹⁾

View this product online at <https://marathonhardware.com/pd/IF467060000>

