

Target J12 18/19mm locking pinion

Part Number: IF21822320YA



Locking Pinion, 18/19mm

The locking pinion allows for quick and easy securing to cabinet gables.

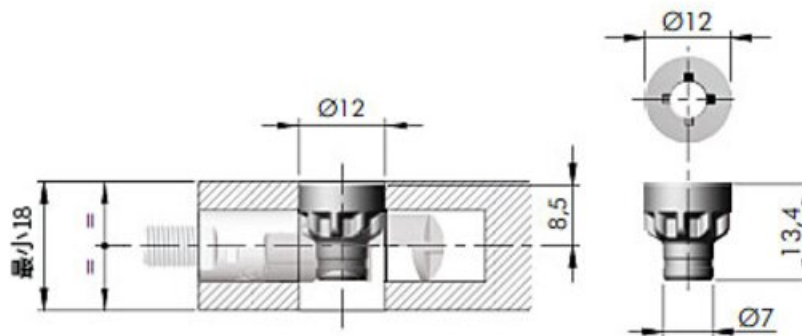
Application Type ----- 18/19 mm

Product Advantages

- Available in 3 sizes for different material thickness: 16mm (5/8"), 18-19mm, and 25mm (1").
- Easy pre-assembling.
- Flat pack solution for tall units.
- Suitable for furniture in kit.
- Factory pre-installed hardware eliminates the need for additional parts, ensuring quick and easy assembly on-site without loose parts.
- Mounting is extremely fast and efficient thanks to the pre-assembling of the panels.



Technical Documents



View this product online at <https://marathonhardware.com/pd/IF21822320YA>



Technical Documents

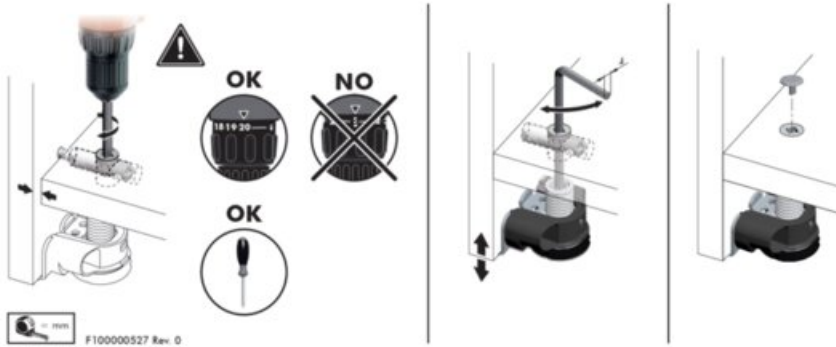
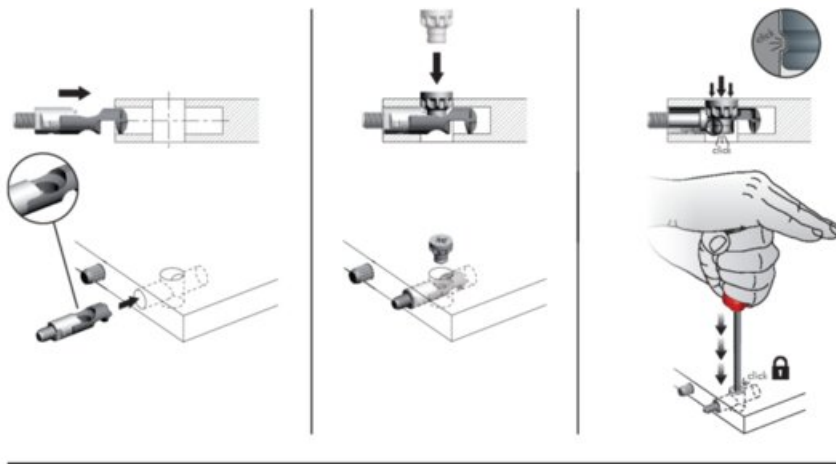
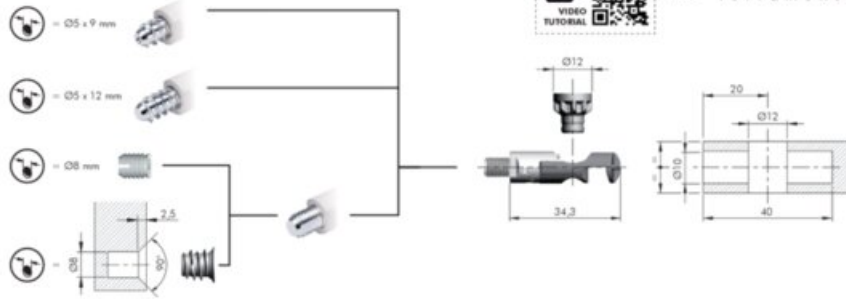


View this product online at <https://marathonhardware.com/pd/IF21822320YA>



Technical Documents

TARGET J12



View this product online at <https://marathonhardware.com/pd/IF21822320YA>

