

## Flybox shelves 60cm Lamina Ironsand



**Part Number: 041-VLFB60-IS**

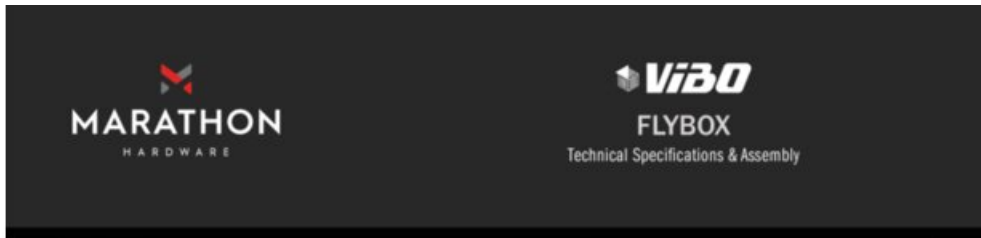
Vibo FlyBox Shelves Lamina 60cm (600mm) Ironsand

Kit includes two pullout shelves designed for the Vibo FlyBox mechanism, featuring a sheet metal containment profile and bottom. Reversible for flexible installation.

Depth .....	448 mm
Finish .....	Matte Grey
Height .....	96 mm
Length .....	510 mm
Reversible .....	Reversible
Suggested for Cabinet (Door) Width .....	60 cm



## Technical Documents



### Vibo FlyBox

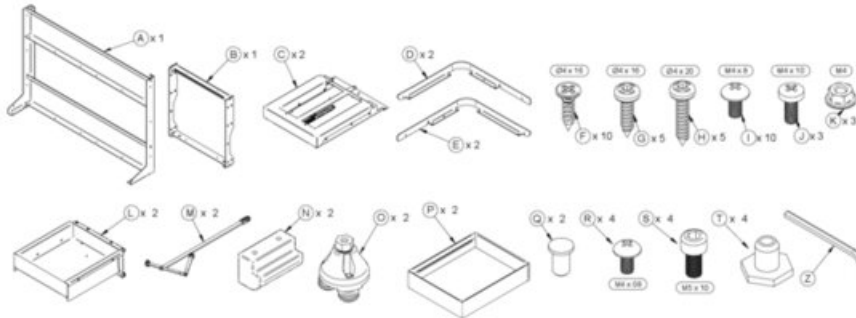
### Product Features



The Vibo FlyBox is a modern solution for 450mm/500mm and 600mm blind corner cabinets. This easily accessible unit allows four storage boxes to be pulled out from the cabinet with minimal effort and soft-close functionality provides a whisper quiet return to the cabinet interior. Thin, yet rigid sidewalls, a high load capacity and reversible installation make the FlyBox as rugged and reliable as it is beautiful and convenient.

- Two sizes available: 450mm/500mm (18" / 19 1/4") or 600mm (24")
- Full soft-close
- Two drawers per tier
- Snap together storage boxes streamline assembly
- Reversible for left or right side installation, simplifying the ordering process
- Load capacity: 25kg (55lbs) per tier

### What's In the Box



### Ordering Guide

Size	Dimensions (W x D x H)	Part#
45/50cm (18"/19 1/4")	825mm x 489mm x 560mm (32 1/8" x 19 1/4" x 22 1/8")	041-VFLYBOX45-LAMINA-IS
60cm (24")	975mm x 489mm x 560mm (38 3/8" x 19 1/4" x 22 1/8")	041-VFLYBOX60-LAMINA-IS

800.840.1228 / MARATHONHARDWARE.COM

View this product online at <https://marathonhardware.com/pd/041-VLFB60-IS>



## Technical Documents



**MARATHON**  
HARDWARE

**VIBO FLYBOX**



800.840.1228 | MARATHONHARDWARE.COM

**ViBO**

**INTRODUCING** Vibo FlyBox

The Vibo FlyBox is a modern solution for 450mm/500mm and 600mm blind corner cabinets. This easily accessible unit allows four storage boxes to be pulled out from the cabinet with minimal effort and soft-close functionality provides a whisper quiet return to the cabinet interior. Thin, yet rigid sidewalls, a high load capacity and reversible installation make the FlyBox as rugged and reliable as it is beautiful and convenient.

**Product Features:**

- Two sizes available: 450mm/500mm (18" / 19 1/4") or 600mm (24")
- Full soft-close
- Two drawers per tier
- Snap together storage boxes streamline assembly
- Reversible for left or right side installation, simplifying the ordering process
- Load capacity: 25kg (55lbs) per tier

View this product online at <https://marathonhardware.com/pd/041-VLFB60-IS>

