

## Pull Knurled 320mm LUCA Cocoa Bronze



**Part Number: 8170-320-CBRZ**

Luca Knurled Designer Pull, 320mm, Cocoa Bronze

Luca by Citterio Giulio, is a beautifully finished handle with a refined knurled texture, which complements many design projects.

|                         |                  |
|-------------------------|------------------|
| Center to Center Length | 320 mm           |
| Collection              | Luca             |
| Colour Group            | Bronze           |
| Finish Code             | Cocoa Bronze     |
| Mounting Type           | M4 Machine Screw |
| Overall Length          | 370 mm           |
| Projection (Height)     | 31 mm            |
| Style Family            | Designer         |
| Width                   | 18 mm            |

### Product Description

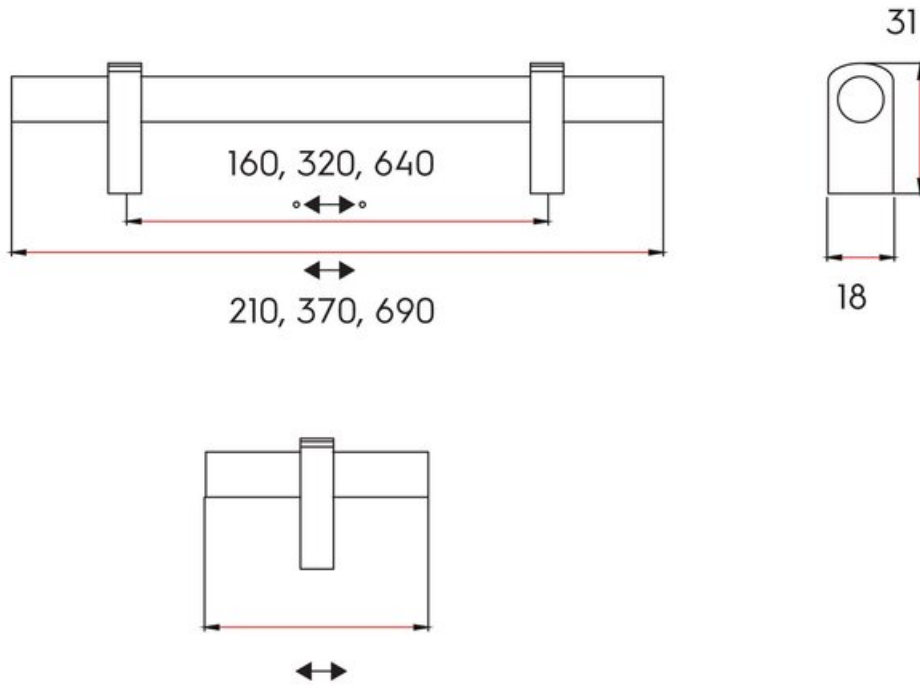
Luca is that stylish and sophisticated friend that drops in for a drink, or shares stories around the dinner table. Always polished, confident and composed, the Luca handle, much like the person, stands out in your memory as something distinctively special, warm, and welcome in your home.

### Product Advantages

- Knurled texture
- 8 finishes and combinations to choose from
- 3 lengths: 160mm, 320mm, 640mm



## Technical Documents



View this product online at <https://marathonhardware.com/pd/8170-320-CBRZ>

