

## Pull Knurled 160mm LUCA Metallic Green

**Part Number: 8170-160-MGRN**



Luca Knurled Designer Pull, 160mm, Metallic Green

Luca by Citterio Giulio, is a beautifully finished handle with a refined knurled texture, which complements many design projects.

Center to Center Length	160 mm
Collection	Luca
Colour Group	Green
Finish Code	Metallic Green
Mounting Type	M4 Machine Screw
Overall Length	210 mm
Projection (Height)	31 mm
Style Family	Designer
Width	18 mm

### Product Description

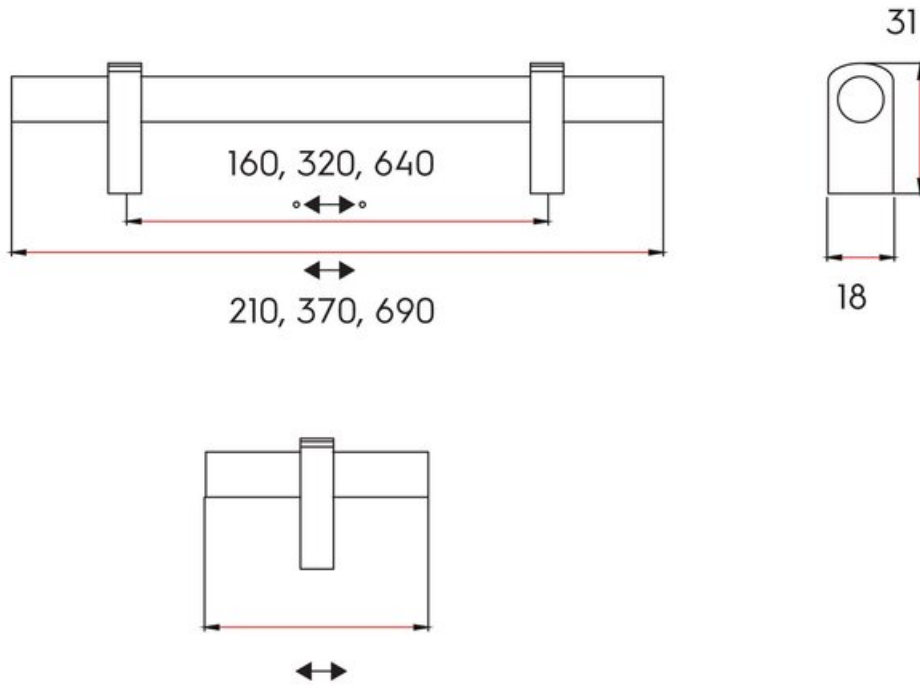
Luca is that stylish and sophisticated friend that drops in for a drink, or shares stories around the dinner table. Always polished, confident and composed, the Luca handle, much like the person, stands out in your memory as something distinctively special, warm, and welcome in your home.

### Product Advantages

- Knurled texture
- 8 finishes and combinations to choose from
- 3 lengths: 160mm, 320mm, 640mm



## Technical Documents



View this product online at <https://marathonhardware.com/pd/8170-160-MGRN>

