



## Flymoon 3 Shelves 24" Anthracite Dark Grey Right

**Part Number: 041-VF3B60R-AG**

VIBO Fly Moon 3 Pivoting Pullout Shelves, 60 Shelf Kit (2) Right, Anthracite

Shelves for the Fly Moon 3.0 blind corner storage solution available in 4 on-trend finishes. Designed for standard height corner cabinets with door openings of 16", 18", and 24".

Basket Bottom Colour	Dark Grey
Basket Bottom Type	Anti-Slip Melamine
Basket Wire Finish	Anthracite
Finish	Anthracite Grey
Height	86 mm (3 3/8 in)
Interior Width Required	1020mm (40-1/8in)
Opening Direction	Right
Pullout Type	Pivoting Shelves
Reversible	Non Reversible
Suggested for Cabinet (Door) Width	600 mm (24 in)

### Product Description

The Fly Moon Corner Pullout is a pivoting shelf solution for your difficult to reach corner cabinets. The height of the two shelves are adjustable and can each support a 20kg load. Combining style and function, the shelves offer a melamine anti-slip coated bottom and with metal plated railings.

### Product Advantages

- Available in 3 widths: 40, 45, and 60 to fit 400mm (16"), 450mm (18"), 600mm (24") cabinet
- Anti-slip finish on shelves
- Storage capacity: up to 20kg
- Available in 4 finishes: Anthracite Grey, Grey/Chrome, Maple/Champagne, and White/Chrome
- Adjustable height
- Pre-installed damper

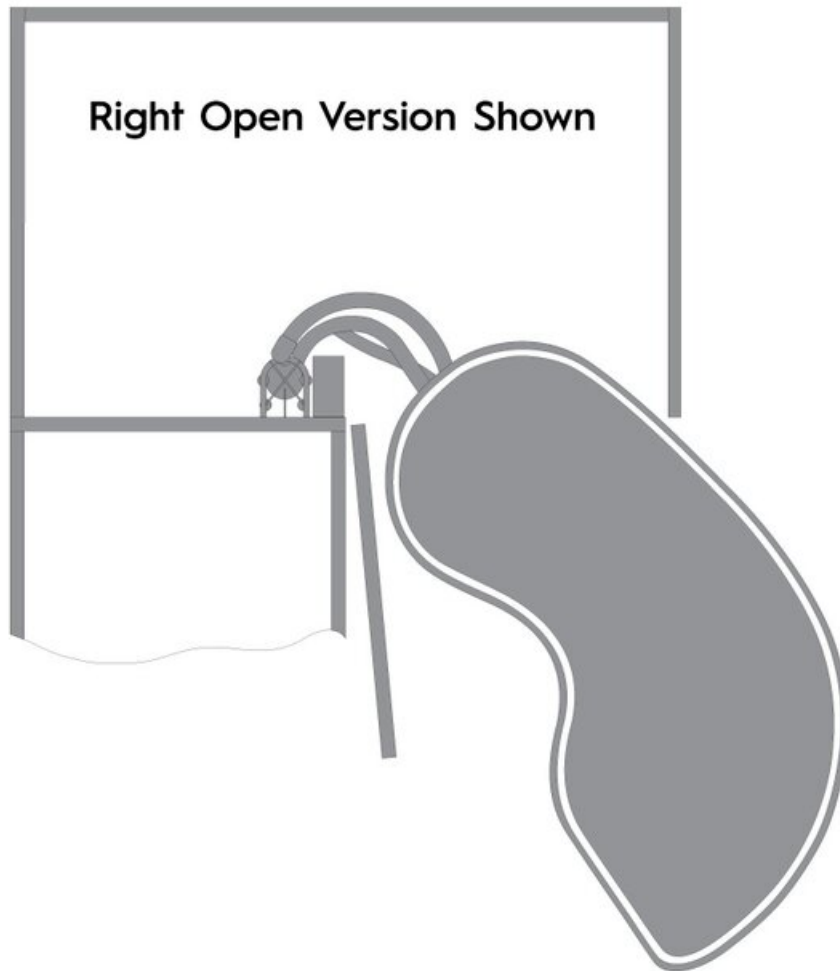
### Important Information

\*Order according to the direction of your opening. Shelves are not universal for all openings.



---

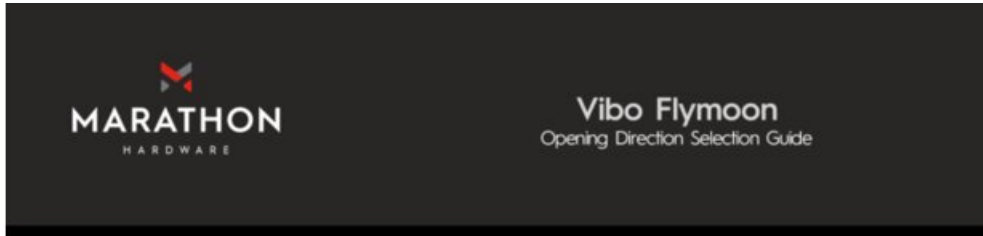
Technical Documents



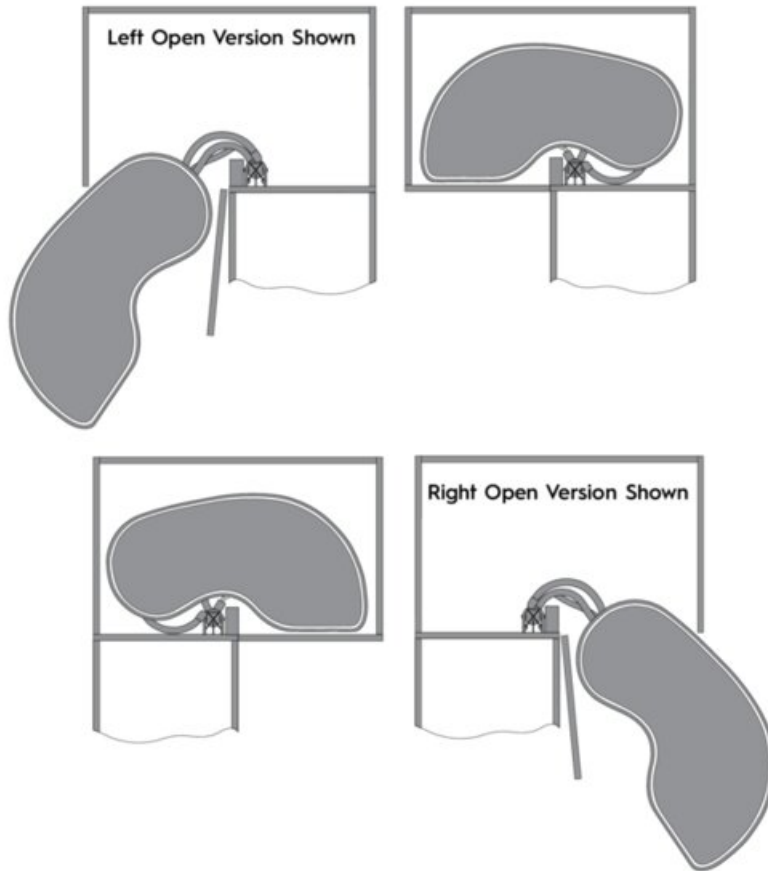
View this product online at <https://marathonhardware.com/pd/041-VF3B60R-AG>



## Technical Documents



Select your Flymoon opening direction, according to the drawings below.  
The direction follows the movement of the shelves from the user's point of view.



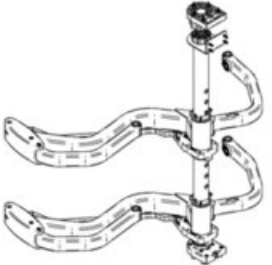
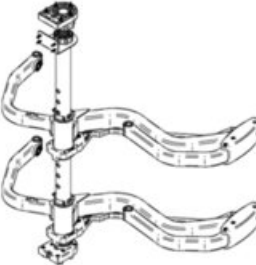



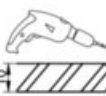

800.840.1228 / MARATHONHARDWARE.COM

View this product online at <https://marathonhardware.com/pd/041-VF3B60R-AG>

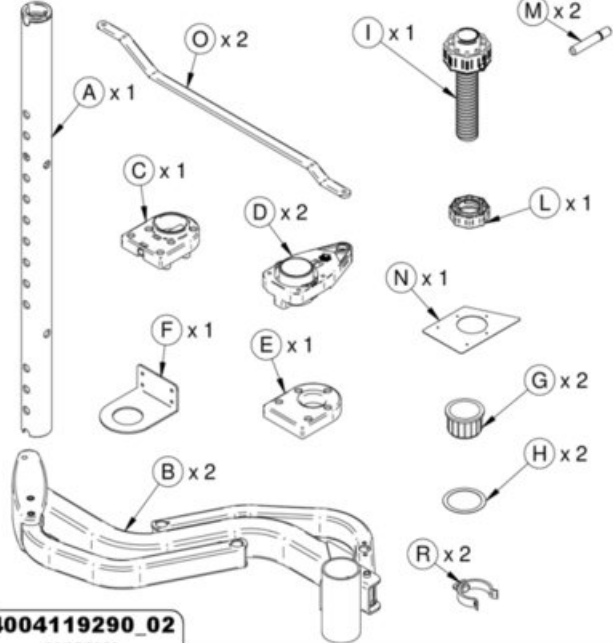
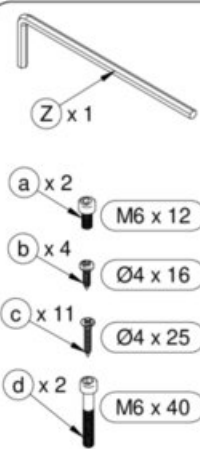


## Technical Documents

### Istruzioni di montaggio - Assembling instructions Notice de montage - Montageanleitung - Manual de montaje

<p>-VERSIONE SINISTRA -VERSION GAUCHE -LEFT HAND VERSION -VERSION IZQUIERDA -LINKSE VERSION</p> 	<p>-VERSIONE DESTRA -RIGHT HAND VERSION -VERSION DROITE -RECHT VERSION -VERSION DERECHA</p> 	 <b>20 min</b>	
		 <b>x 1</b>	
			
			 <b>40 kg</b> <b>MAX</b>

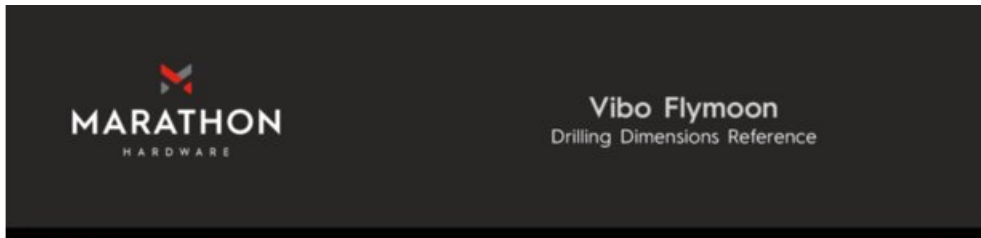
  

 <p><b>4004119290_02</b> 28/05/2020</p>	 <p><b>Z</b> x 1</p> <p><b>a</b> x 2 M6 x 12</p> <p><b>b</b> x 4 Ø4 x 16</p> <p><b>c</b> x 11 Ø4 x 25</p> <p><b>d</b> x 2 M6 x 40</p> <p><b>1/8</b></p>
---	--

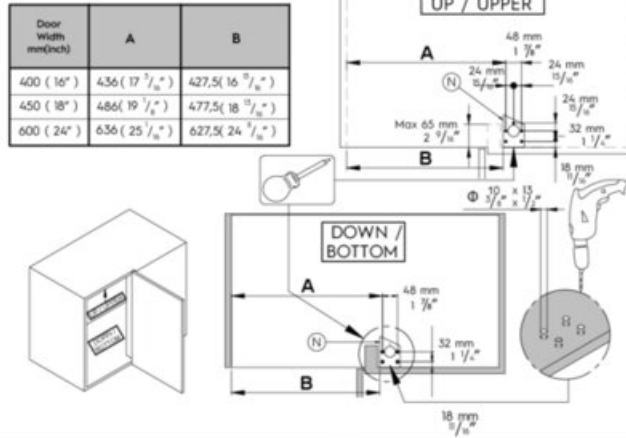
View this product online at <https://marathonhardware.com/pd/041-VF3B60R-AG>



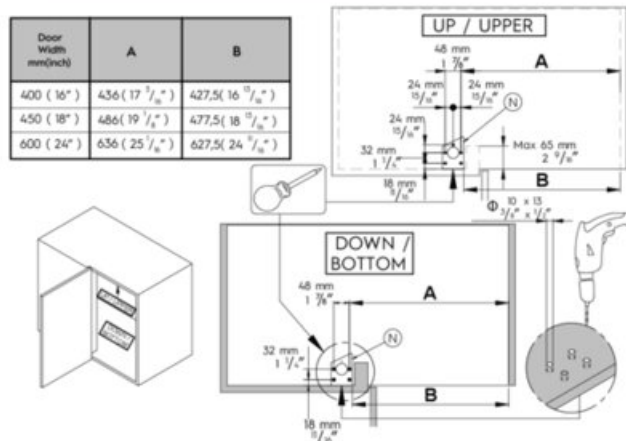
## Technical Documents



### Left Open Version



### Right Open Version



800.840.1228 / MARATHONHARDWARE.COM

View this product online at <https://marathonhardware.com/pd/041-VF3B60R-AG>

