

Flymoon 3 Shelves 24\" data-bbox="379 134 727 188"/>

Part Number: 041-VF3B60L-WCH

VIBO Fly Moon 3 Pivoting Pullout Shelves, 60 Shelf Kit (2) Left, White / Chrome

Shelves for the Fly Moon 3.0 blind corner storage solution available in 4 on-trend finishes. Designed for standard height corner cabinets with door openings of 16\", 18\", and 24\".

Basket Bottom Colour	White
Basket Bottom Type	Anti-Slip Melamine
Basket Wire Finish	Chrome
Finish	White / Chrome
Height	86 mm (3 3/8 in)
Interior Width Required	1020mm (40-1/8in)
Opening Direction	Left
Pullout Type	Pivoting Shelves
Reversible	Non Reversible
Suggested for Cabinet (Door) Width	600 mm (24 in)

Product Description

The Fly Moon Corner Pullout is a pivoting shelf solution for your difficult to reach corner cabinets. The height of the two shelves are adjustable and can each support a 20kg load. Combining style and function, the shelves offer a melamine anti-slip coated bottom and with metal plated railings.

Product Advantages

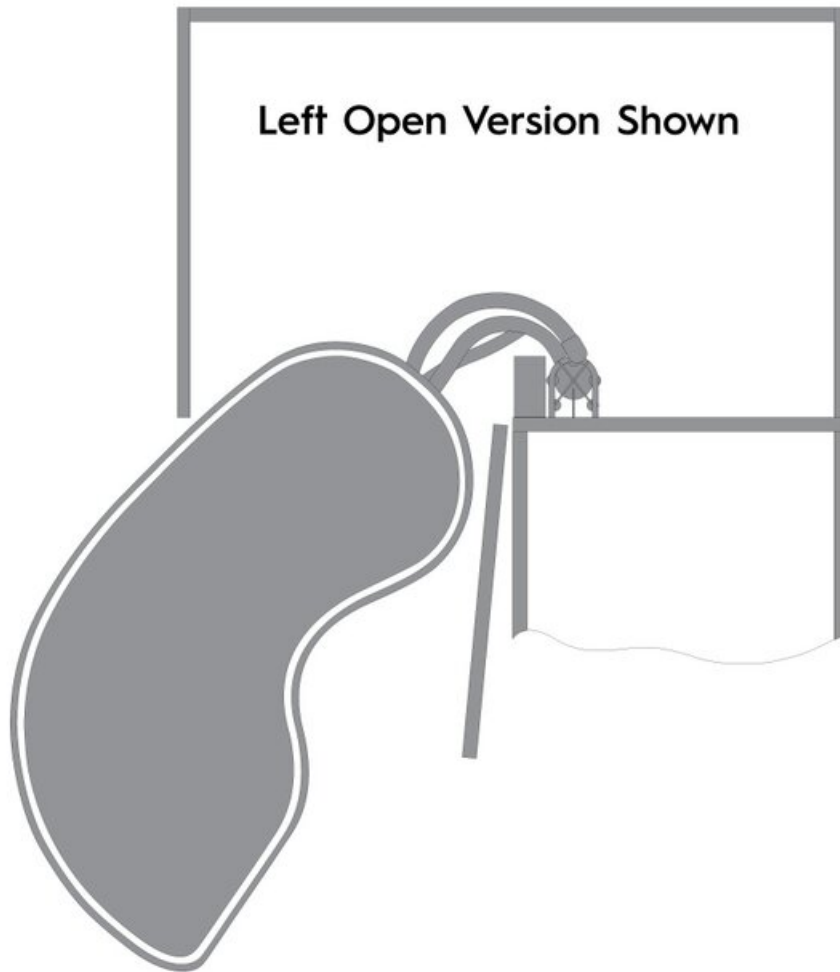
- Available in 3 widths: 40, 45, and 60 to fit 400mm (16\"), 450mm (18\"), 600mm (24\") cabinet
- Anti-slip finish on shelves
- Storage capacity: up to 20kg
- Available in 4 finishes: Anthracite Grey, Grey/Chrome, Maple/Champagne, and White/Chrome
- Adjustable height
- Pre-installed damper

Important Information

*Order according to the direction of your opening. Shelves are not universal for all openings.



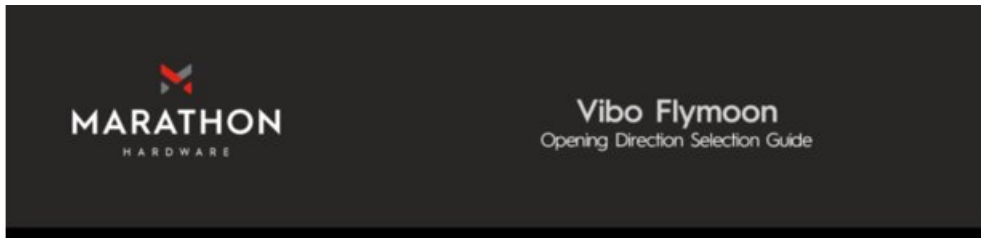
Technical Documents



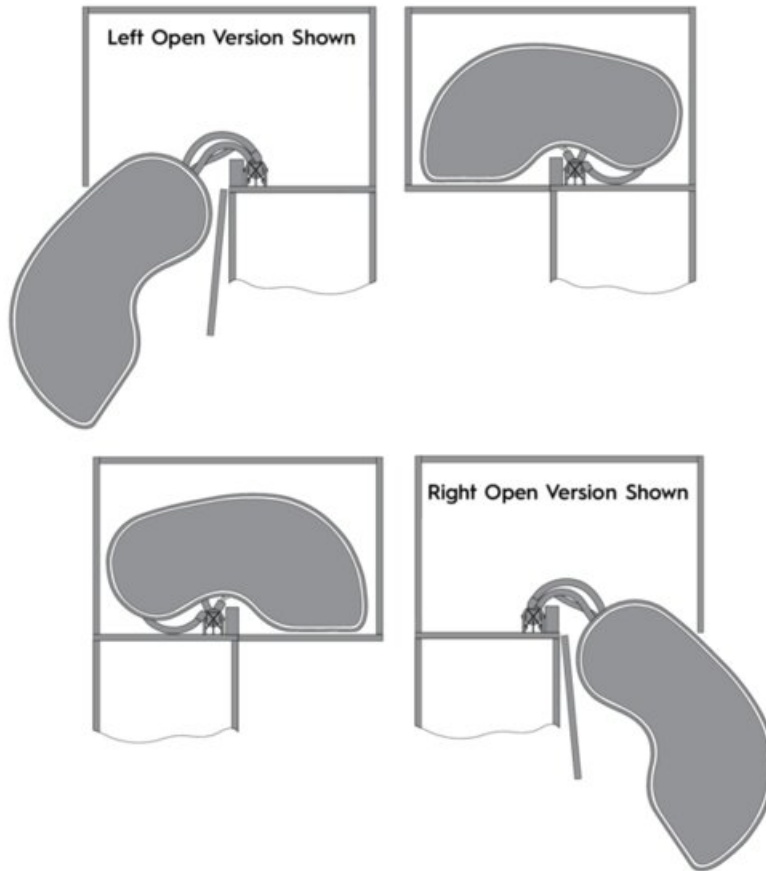
View this product online at <https://marathonhardware.com/pd/041-VF3B60L-WCH>



Technical Documents



Select your Flymoon opening direction, according to the drawings below.
The direction follows the movement of the shelves from the user's point of view.



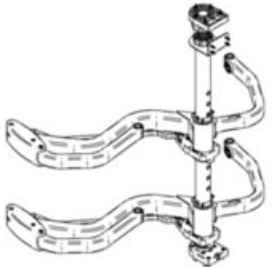
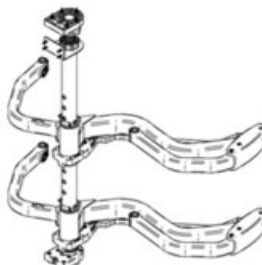





800.840.1228 / MARATHONHARDWARE.COM

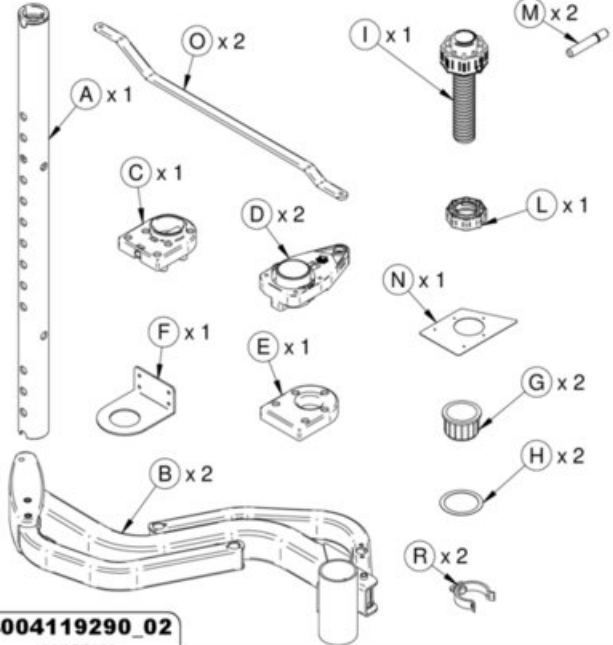
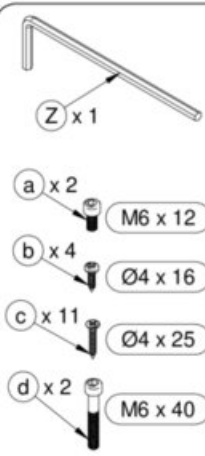
View this product online at <https://marathonhardware.com/pd/041-VF3B60L-WCH>



Technical Documents

Istruzioni di montaggio - Assembling instructions Notice de montage - Montageanleitung - Manual de montaje

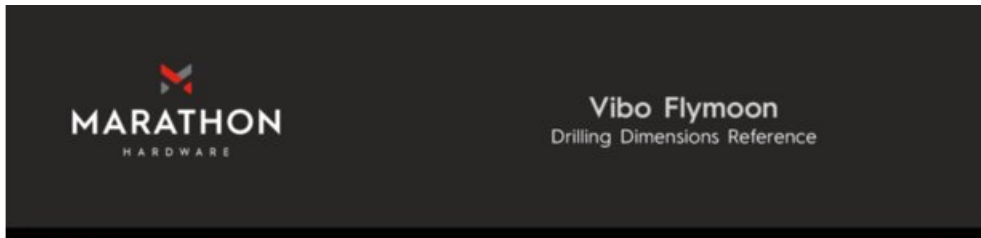
<p>-VERSIONE SINISTRA -VERSION GAUCHE -LEFT HAND VERSION -VERSION IZQUIERDA -LINKSE VERSION</p> 	<p>-VERSIONE DESTRA -RIGHT HAND VERSION -VERSION DROITE -RECHT VERSION -VERSION DERECHA</p> 	 <p>20 min</p>	
		 <p>x 1</p>	
			
			 <p>40 kg MAX</p>

 <p>4004119290_02 28/05/2020</p>	 <p>1/8</p>
-------------------------------------------------------------------------------------------------------------------------------	-------------------------------------------------------------------------------------------------------

View this product online at <https://marathonhardware.com/pd/041-VF3B60L-WCH>

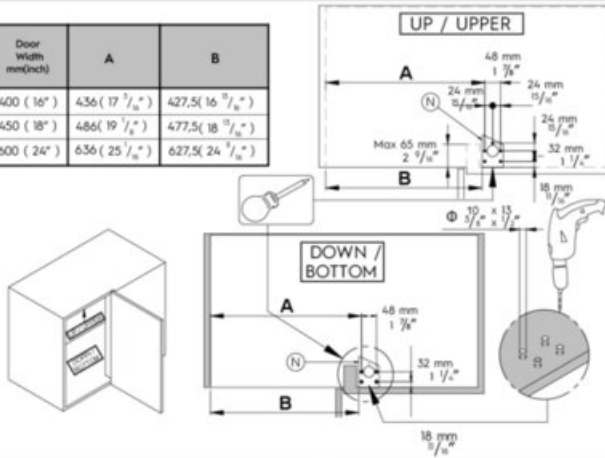


Technical Documents



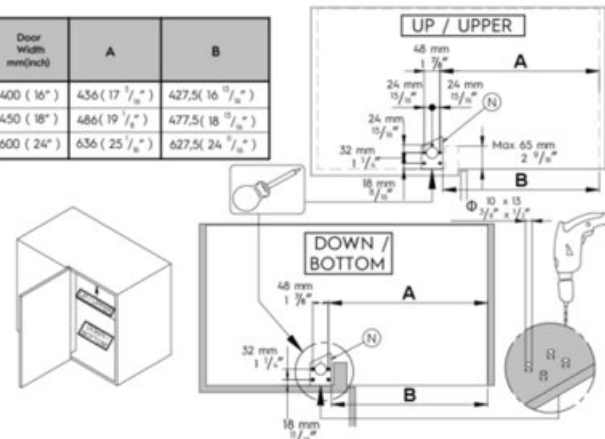
Left Open Version

Door Width mm(inch)	A	B
400 (16")	436 (17 1/8")	427,5 (16 7/8")
450 (18")	486 (19 1/8")	477,5 (18 7/8")
600 (24")	636 (25 1/8")	627,5 (24 7/8")



Right Open Version

Door Width mm(inch)	A	B
400 (16")	436 (17 1/8")	427,5 (16 7/8")
450 (18")	486 (19 1/8")	477,5 (18 7/8")
600 (24")	636 (25 1/8")	627,5 (24 7/8")



800.840.1228 / MARATHONHARDWARE.COM

View this product online at <https://marathonhardware.com/pd/041-VF3B60L-WCH>

