

## Autograph Cutlery Tray, 4 piece, Walnut



**Part Number: 04-AU-WAL-CT4-D**

Autograph Cutlery Tray for 4-piece Sets, American Walnut

This Autograph cutlery tray features four individual slots for cutlery and a fifth trimmable section at the rear to customize the insert to your drawer depth.

Colour	Walnut
Height	55 mm (2-3/16 in)
Interior Dimensions Required - Depth	366 to 589 mm (14-7/16 to 23-3/16 in)
Material	Wood
Width	304.8 mm (12 in)

### Product Description

Autograph is our top-of-the-line drawer organizer system, made from real wood and available in two finishes - birch and walnut. As a fully customizable system, Autograph allows you to fit it to the drawer's exact specifications and your client's specific needs. With two easy ways to order, pre-configured kits and a do-it-yourself configurator, Autograph is not only a stunning, functional add-on to your kitchen designs, it's also a hassle free way to offer your clients a complete kitchen from top to bottom, inside and out.

### Product Advantages

Available in two finishes: Walnut & Birch

Height: 55mm

Width: 304.8mm (12")

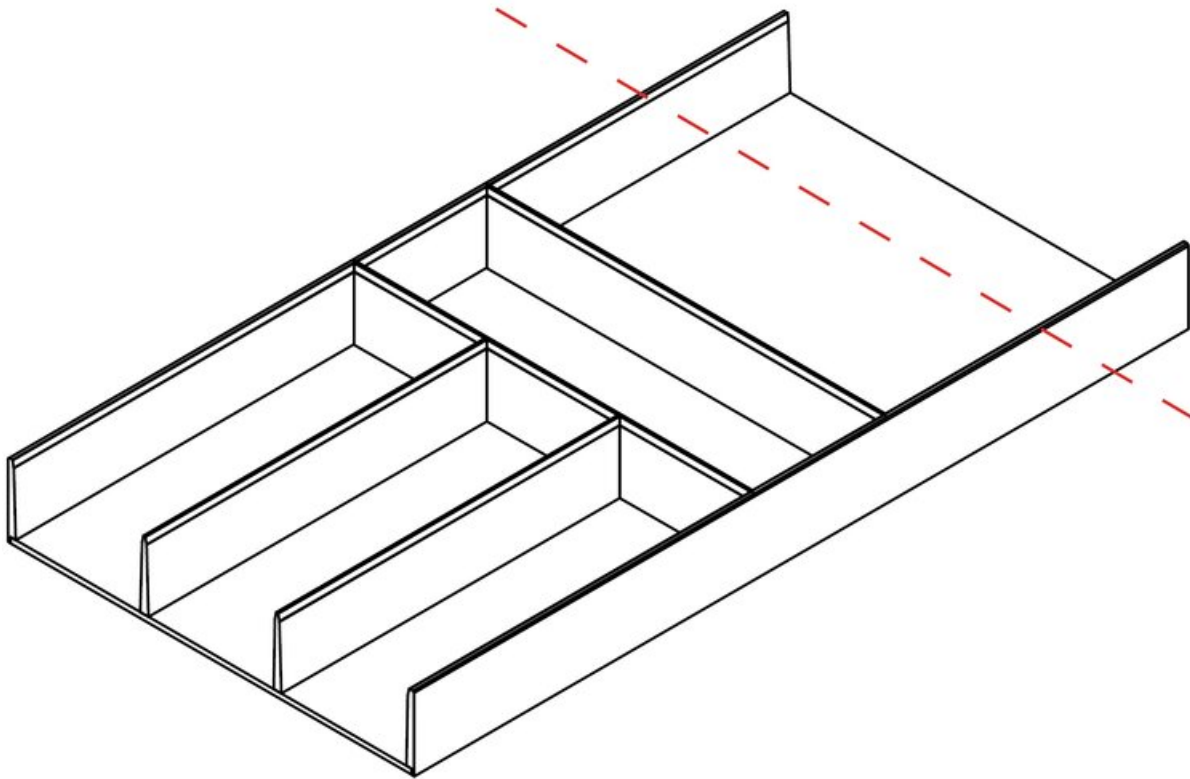
Depth: Min. 366mm, Max. 589mm

### Important Information

Trim from rear only.



## Technical Documents



View this product online at <https://marathonhardware.com/pd/04-AU-WAL-CT4-D>



# AUTOGRAPH

PARTS

View this product online at <https://marathonhardware.com/pd/04-AU-WAL-CT4-D>

