



## Exterior Cabinet Accessories Corbels

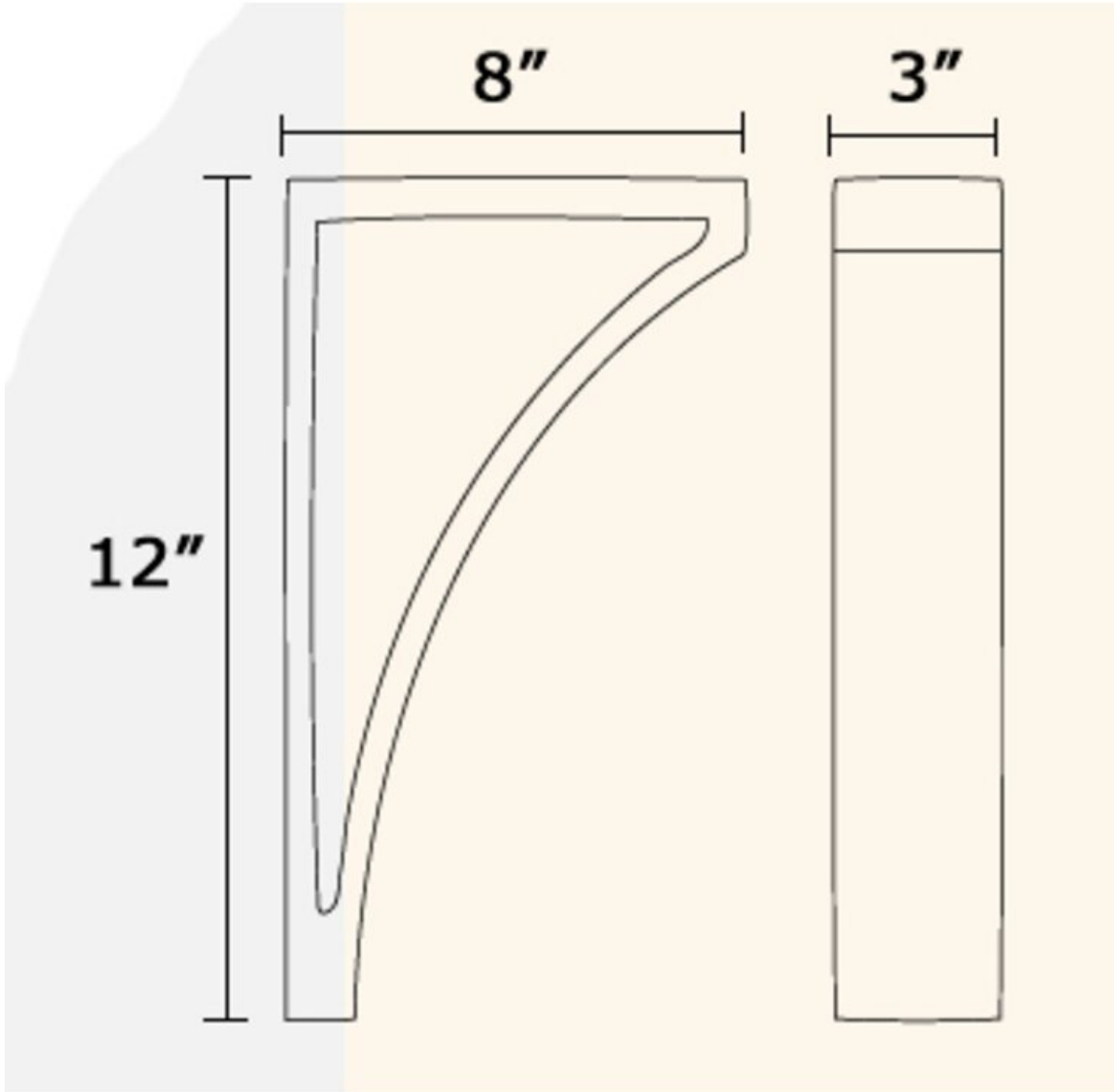
**Part Number: 14-2005M**

Exterior Cabinet Accessories Corbels

Application Type	Corbels / Brackets
Depth	8 in
Height	12 in
Material	Maple
Width	3 in



## Technical Documents



View this product online at <https://marathonhardware.com/pd/14-2005M>

