



## Plain Support Bracket Maple

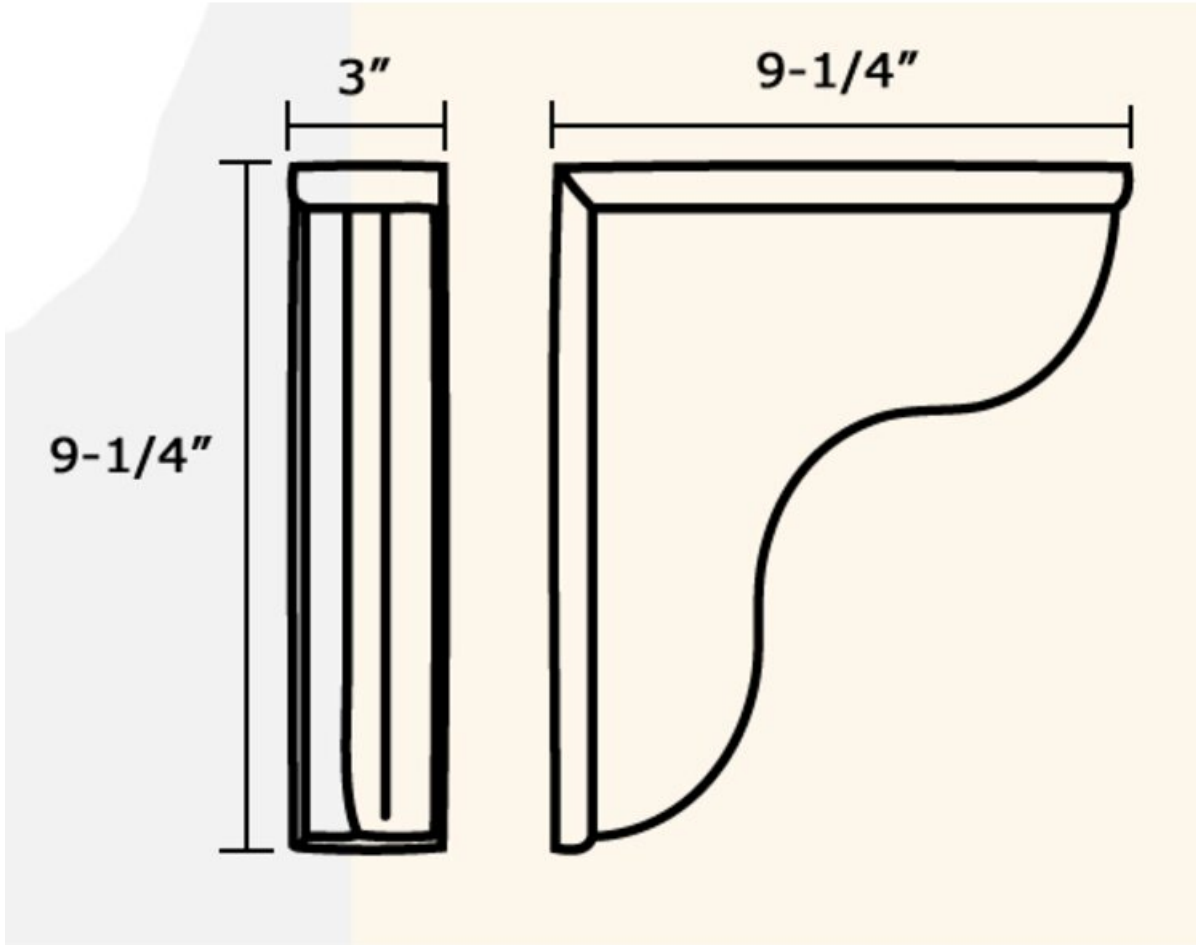
**Part Number: 14-0500M**

Plain Support Bracket Maple

Application Type .....	Corbels / Brackets
Depth .....	9-1/4 in
Height .....	9-1/4 in
Material .....	Maple
Width .....	3 in



## Technical Documents



View this product online at <https://marathonhardware.com/pd/14-0500M>

