

Locking Device 4 Way for 105-DS10 Slides



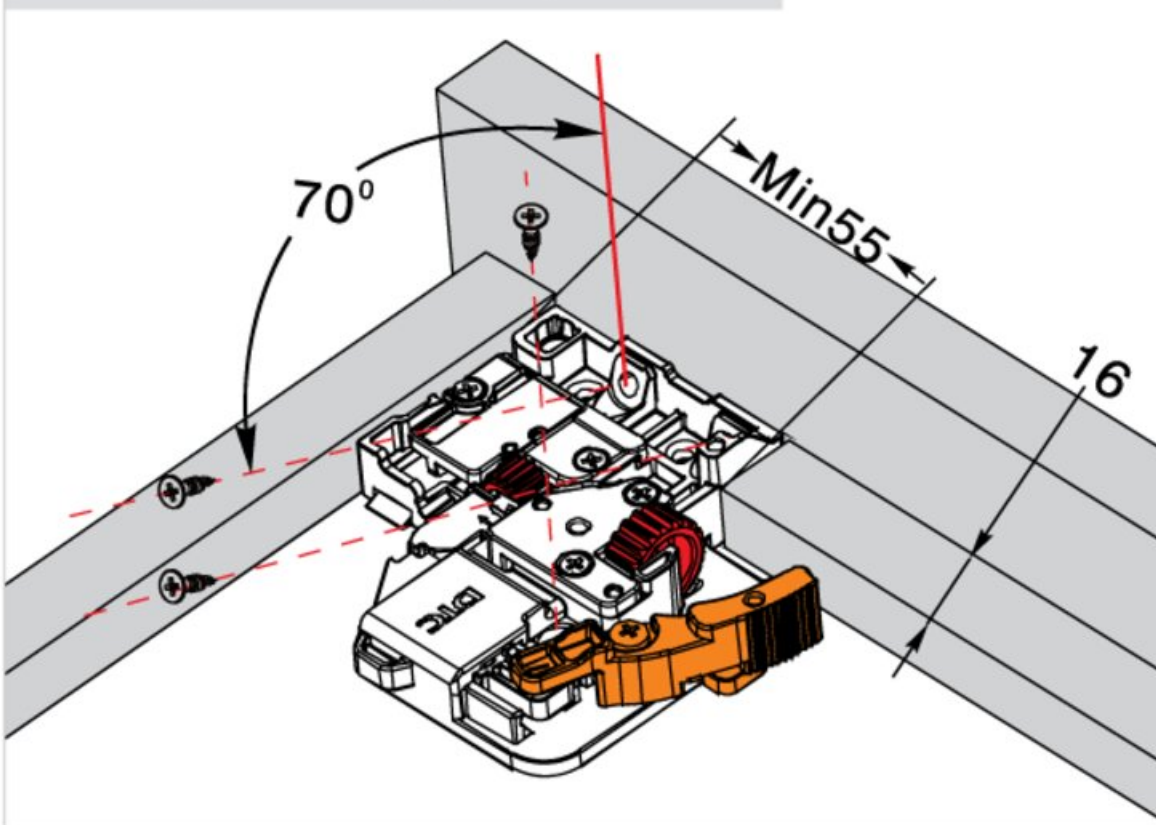
Part Number: 105-ODSD4-DS10H

Full Extension Undermount Slides with Infinity Soft-Closing

Closing Type	Soft-Close
Slide Type	Undermount

Locking Device Installation (mm)

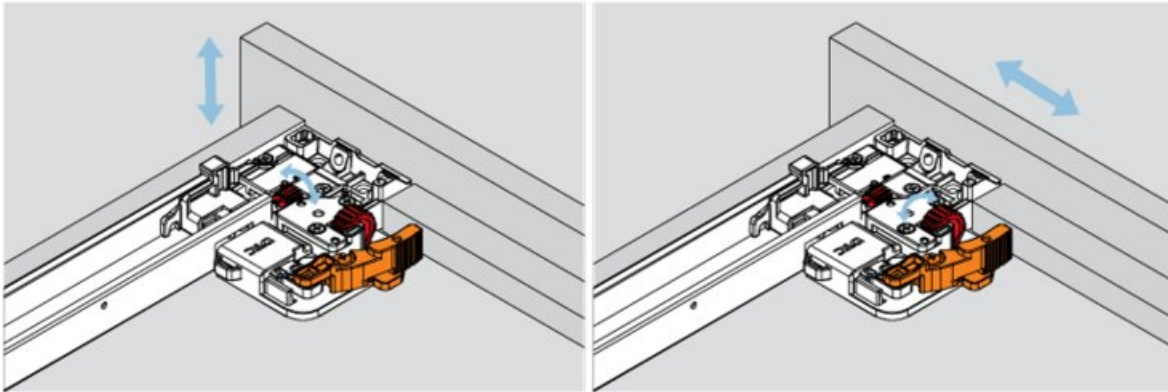
4-Way Locking Clip



View this product online at <https://marathonhardware.com/pd/105-ODSD4-DS10H>

Technical Documents

4-Way Locking Clip - How to Make Adjustments

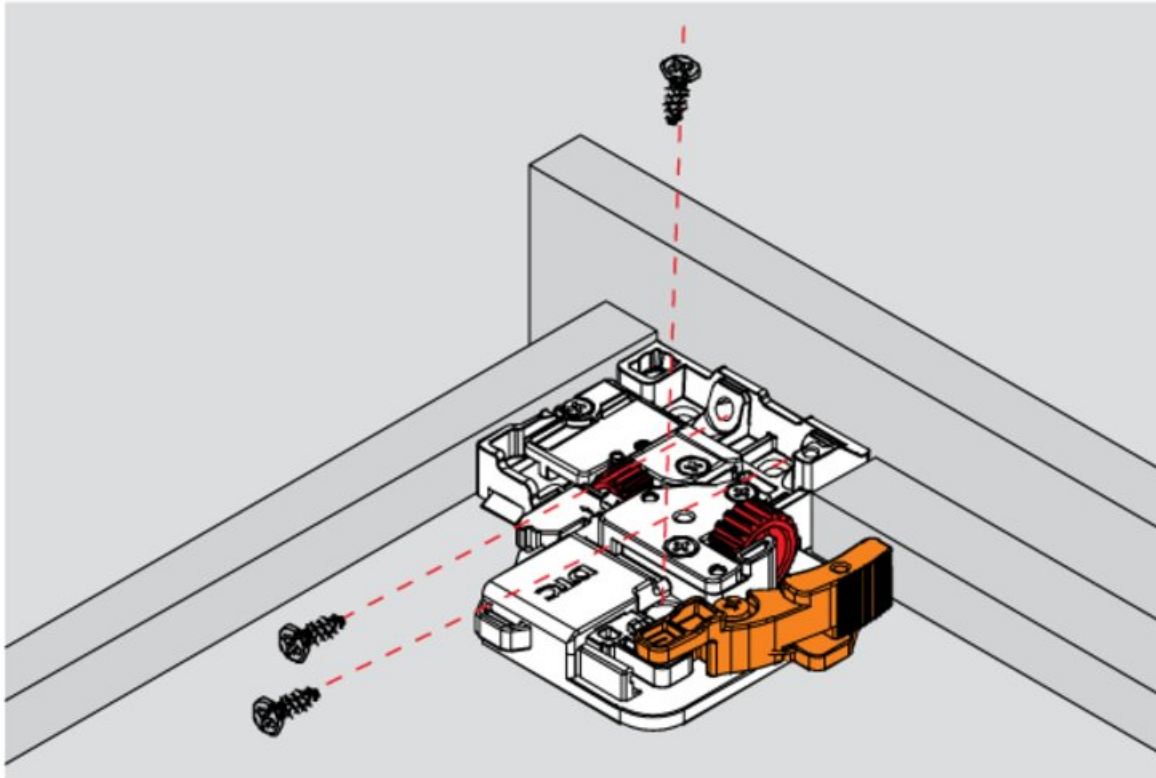


Height Adjustment (0 – 3mm)

Lateral Adjustment (± 1.5 mm)

View this product online at <https://marathonhardware.com/pd/105-ODSD4-DS10H>

4-Way Locking Clip Installation



Fix the locking clip onto the drawer bottom using two screws.

View this product online at <https://marathonhardware.com/pd/105-ODSD4-DS10H>

