



Locking Device for 105-TS10H Slides

Part Number: 105-OSTL-TS10H

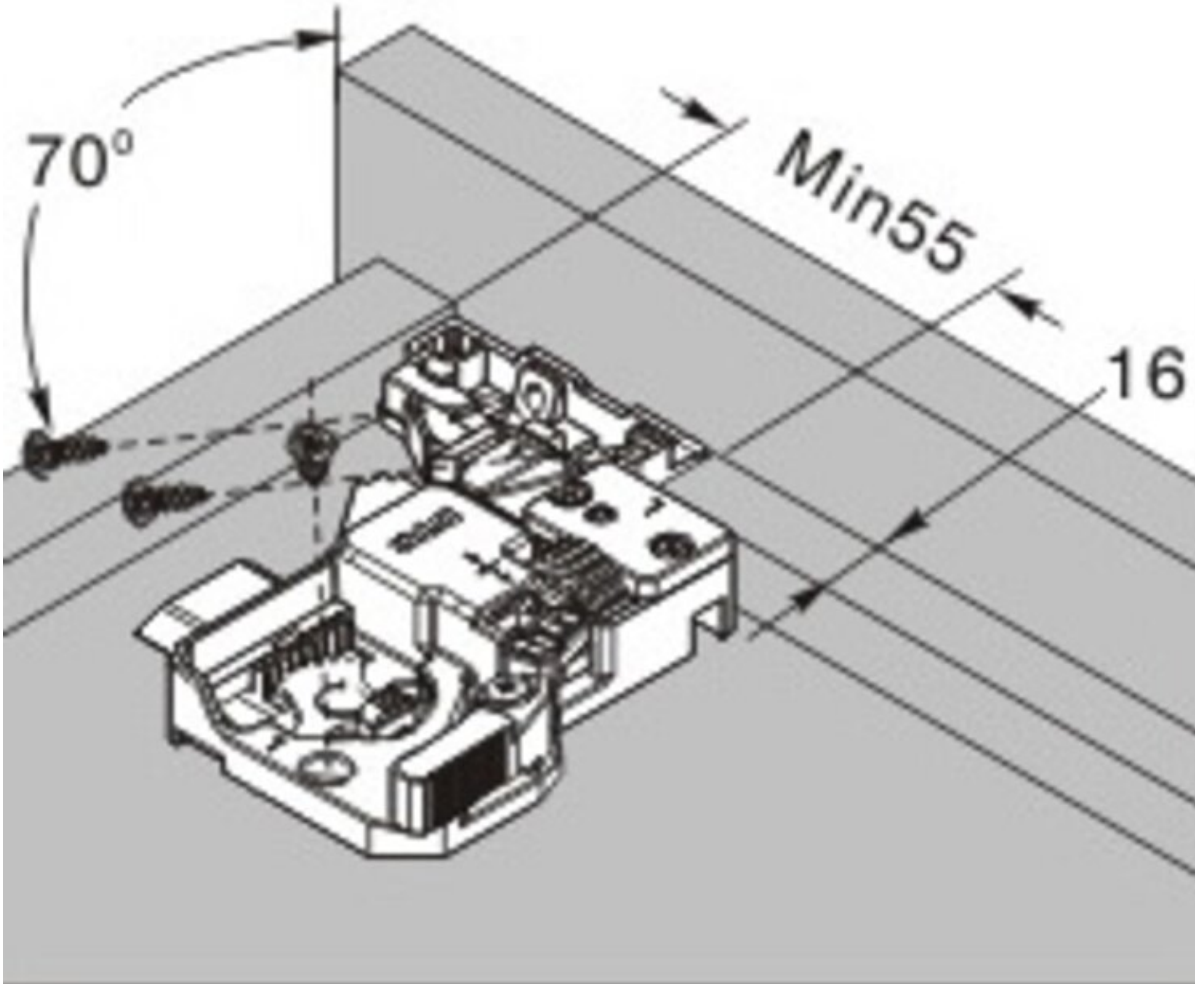


Locking Device for 105-TS10H Slides with 6-Way Adjustment

These are always included with your undermount slide and do not need to be ordered separately under normal circumstances

Closing Type -----	Soft-Close
Slide Type -----	Locking Clip

Technical Documents



View this product online at <https://marathonhardware.com/pd/105-OSTL-TS10H>

