

6-Way Adjustable Locking Device for Salice Undermount Slides

Part Number: SA750.010



Salice 6-Way Adjustable Locking Device for Futura Undermount Slides

The 6-way adjustable locking device has height, depth and side adjustments to improve drawer face placement.

<div>
</div>

Adjustment Description	6-Way
Adjustments Included	Height, Side, Depth
Depth Adjustment Range	±2mm
Height Adjustment Range	+2.5mm
Mounting Type	Screw-On
Side Adjustment Range	±1.5mm
Slide Extension Type	Full Extension
Slide Type	Locking Clip

Product Description

The 6-way adjustable locking device allows you to make precise three dimensional adjustments, giving you peace of mind that every drawer face placement can be fine tuned at the time of installation.

Product Advantages

- 6-way (height, depth and side) adjustment
- Tool free adjustment
- Compatible with Salice Futura Undermount Slides

Important Information

Standard packaging is 2 boxes per 100 pairs. 100 left clips per box and 100 right clips per box. If you order less than full box quantity, we may mix the clips together.

Disclaimer

Salice Undermount Slides do NOT include front locking clips. These must be ordered separately.



Technical Documents

Futura - with 3 way adjustable clip Futura - Clip à 3 réglages

The 3 way adjustment allows to:

- align the drawers between them
- align the drawers with the cabinet

Features and benefits of the clip:

- for all versions of full-extension runners
- tool free 3 way adjustment
- patented removal system of the drawer, from both the front and the sides of the drawer
- clip manufactured in Carbon Fibre rich material for light weight, strength and rigidity

Les 3 réglages permettent :

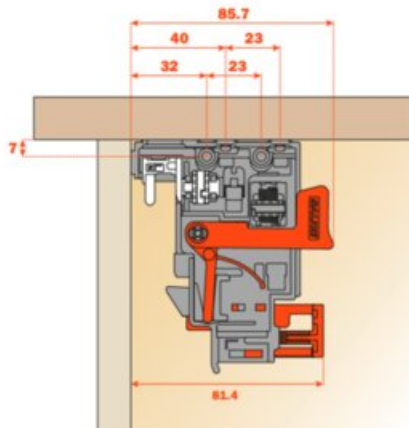
- d'aligner les tiroirs entre eux
- d'aligner les tiroirs avec le meuble

Caractéristiques et avantages du clip :

- développé pour toutes les versions de coulisses à sortie totale
- les 3 réglages s'effectuent sans outil
- système breveté pour le démontage du tiroir, à faire sous la façade ou sous les côtés du tiroir
- clip fabriqué en fibre de carbone en raison de sa légèreté, de sa résistance et de sa dureté

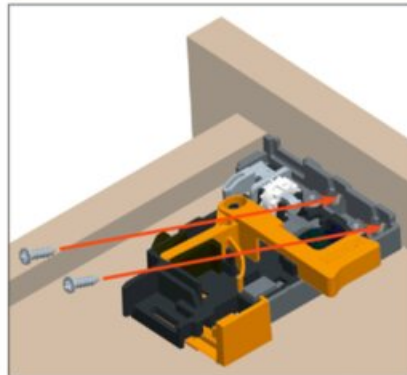
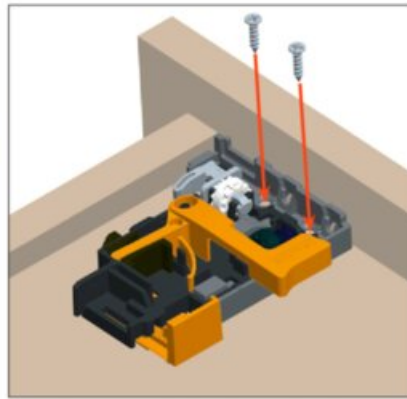
Clip assembly

Position the left and the right clip at the front of the drawer.
Fix with the screws on the bottom or on the front of the drawer as indicated in the images below.



Montage du clip

Positionner le clip gauche et droit dans la partie antérieure du tiroir.
Fixer avec les vis sur le fond ou sur la façade du tiroir comme indiqué dans les images ci-dessous.





Technical Documents

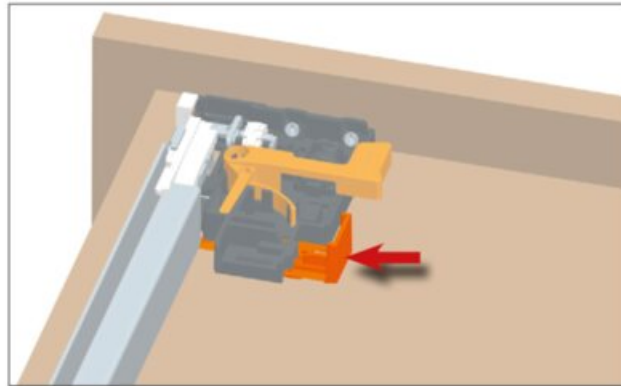
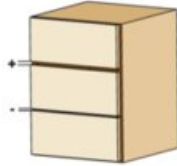
Futura - with 3 way adjustable clip Futura - clip à 3 réglages

Height adjustment + 2.5 mm

Initial position of the lever for the height adjustment.

Réglage vertical + 2.5 mm

Position initiale des leviers pour le réglage vertical.



Push the lever towards the outside of the drawer to achieve the height adjustment.
This operation is tool free.

Pousser le levier vers l'extérieur du tiroir pour obtenir le réglage vertical.
Cette opération s'effectue sans outil.

