



Standard Locking Device for Salice Undermount Slides

Part Number: SA710.610

Salice Standard Locking Device for Salice Undermount Slides

The standard locking device for Salice undermount slides secures the drawer box to the extending arm of the slide and offers a height adjustment of +/- 2.5mm.

Adjustment Description	2-Way
Adjustments Included	Height
Height Adjustment Range	+2.5mm
Mounting Type	Screw-On
Slide Extension Type	Full Extension
Slide Type	Locking Clip

Product Advantages

- Secures drawer boxes to Salice undermount slides
- Available in pairs of left and right side clips
- Tool-free height adjustment

Disclaimer

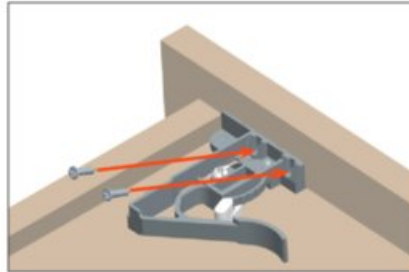
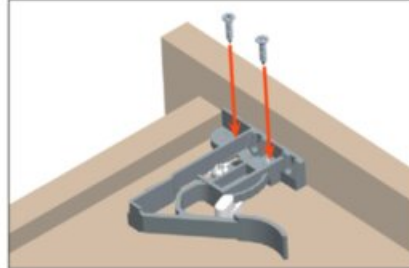
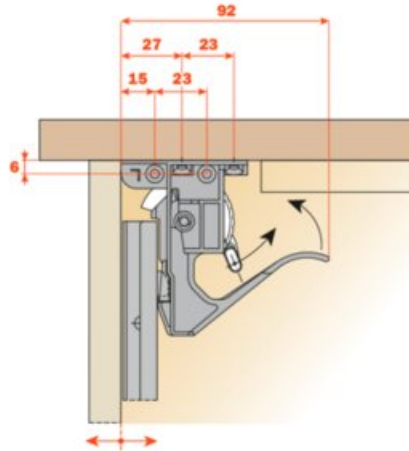
Salice Undermount Slides do NOT include front locking clips. These must be ordered separately.



Technical Documents

Futura - with 1 way adjustable clip - Technical information
Futura - Clip à 1 réglage - Informations techniques

Fixing clip Fixation clip

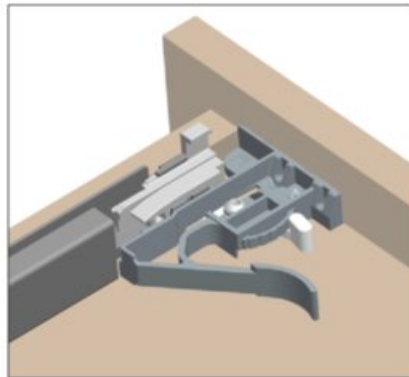
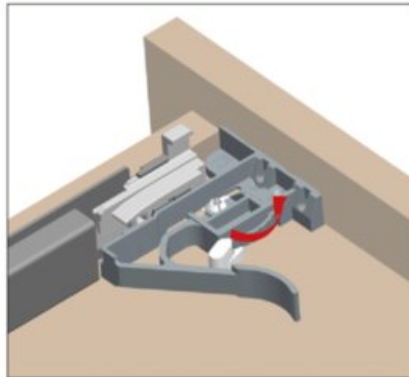


Drawer adjustment

Drawer height adjustment (+ 2.5 mm) using the lever indicated
This operation is tool free

Réglage du tiroir

Réglage en hauteur (+ 2.5 mm) du tiroir grâce au levier indiqué sur le schéma
Cette opération s'effectue sans outil



SALICE 11

View this product online at <https://marathonhardware.com/pd/SA710.610>

