



Slide 26in FE 150lbs ZINC

Part Number: 372-NJ81A02-26

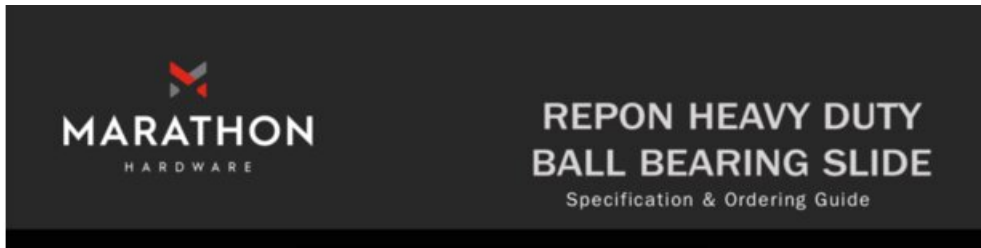
Repon Heavy Duty Ball Bearing Slide, Full Extension, 650mm (26in)

Heavy Duty Ball Bearing Slides for Commercial and Residential Cabinetry.
Rated 68 kg (150 lbs) load capacity.

Closing Type	Self-Close
Finish	Zinc
Length	650mm (26in)
Load Capacity	68kg (150lbs)
Material	Steel
Mounting Type	Side Mount
Slide Extension Type	Full Extension
Slide Type	Ball-Bearing



Technical Documents



Repon Heavy-Duty Ball Bearing Slides

Repon's heavy duty side-mount ball-bearing full-extension slide is rated for loads of 68 kg (150 lbs). Suitable for specifications in commercial furniture, kitchen cabinets and casework of all types.

This slide is easy to install and reliable for commercial or residential applications and carries with it the Marathon limited lifetime warranty.

Product Features


- Load Capacity: 68kg (150 lbs)
- 32mm screw mount system compatibility
- Trigger release disconnect and hold-in detent
- Breather tab self adjustment to allow for side clearance variation
- Easy access window to reach cabinet member mounting holes

Part#	Nominal Length	Box Qty
372-NJ81A02-16	400mm (16")	10
372-NJ81A02-18	450mm (18")	10
372-NJ81A02-20	500mm (20")	5
372-NJ81A02-22	550mm (22")	5
372-NJ81A02-24	600mm (24")	5
372-NJ81A02-26	650mm (26")	5

800 840 1228 · MARATHONHARDWARE.COM

View this product online at <https://marathonhardware.com/pd/372-NJ81A02-26>

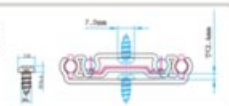
Technical Documents



Notification and Installation suggestion

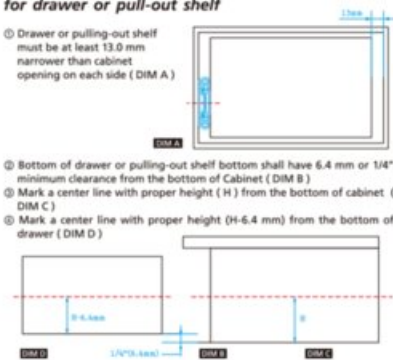
Very Important

A. Recommended screws for fixing - #8 pan head screws. Each side of slide requires at least 6 screws.



Technical Specifications for drawer or pull-out shelf

- Drawer or pulling-out shelf must be at least 13.0 mm narrower than cabinet opening on each side (DIM A)
- Bottom of drawer or pulling-out shelf bottom shall have 6.4 mm or 1/4" minimum clearance from the bottom of Cabinet (DIM B)
- Mark a center line with proper height (H) from the bottom of cabinet (DIM C)
- Mark a center line with proper height (H-6.4 mm) from the bottom of drawer (DIM D)



Technical information

QUICK INSTALLATION GUIDE OF NJ-81A02 Full Extension Slides, 150 pound(68 kgs) Loading

**The load rating is based on 450mm to 550mm. The loading of any length shorter or longer will be less.

Fix the slides through the most flexible holes on breather tab for best slide performance. Leave the screw loose for final adjustment. Move the slides back and forth, and make sure no screw is bound.

Step 2 > Install drawer member to drawer

- Align center line of drawer member to the pre determined line (H-6.4 mm), and place drawer member 2 mm backward from the drawer front or the pulling-out shelf edge. Shall the silencing cushion is used, place drawer member 5.2 mm backward.
- Fix the drawer member through vertical slots for vertical adjustment. Leave the screw loose for final adjustment.



Step 3 > Insert drawer into cabinet

- Make sure the bearing retainers are fully forward. Insert drawer member into the cabinet member, and then close the drawer completely.

Final Adjustment.....

Try to open and close the drawer to see if slides function correctly. If so, secure the screws and install additional screws as necessary. If not, please make adjustment till slides function correctly.

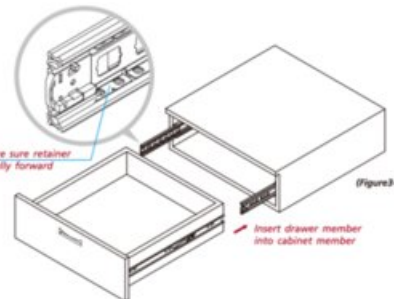
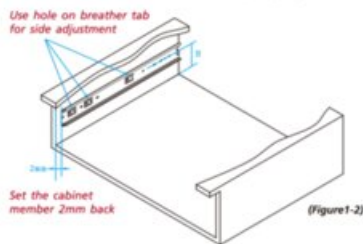
*This instruction is for reference only. It may vary due to different applications.

Step 1 > Install cabinet member to cabinet

- Push down or lift up release trigger on the right or left to disconnect the drawer member.



- Align center line of cabinet member to pre-determined center line (H), and place slide 2 mm backward from cabinet opening.



View this product online at <https://marathonhardware.com/pd/372-NJ81A02-26>

