

## Vibration Safety Device

**Part Number: KS-VSD**




When installed into any SIMLEAD slide, your drawers will be protected from excessive vibration, as they will lock from opening past 2cm.

Drawer System ..... SIMLEAD

## Technical Documents

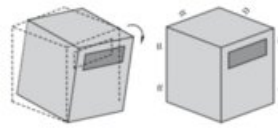
**Vibration Safety Device (VSD)**

maximum opening of 2cm ( $\frac{3}{4}$  in)



1. On the event of vibration


The drawer with VSD installed will only open 2cm ( $\frac{3}{4}$  in) maximum.



2. During vibration event

The drawer will stay locked in place at 2cm ( $\frac{3}{4}$  in) extension only.


stopped at 2cm ( $\frac{3}{4}$  in)



3. After vibration finished

Reset the drawer with the following steps:

- » If the drawer is still fully closed, operate as usual
- » If the drawer is slightly open in the locked position, simply push to open and then soft-close the drawer to reset.



800 840 1228 | MARATHONHARDWARE.COM

View this product online at <https://marathonhardware.com/pd/KS-VSD>



## Technical Documents


**King Slide®**


**SIMLEAD Metal Drawer System**


**Vibration Safety Device**


---

**Components**

  
VSD Mechanism (L)X1

  
VSD Mechanism (R)X1

  
VSD Engaging Tab (L)X1

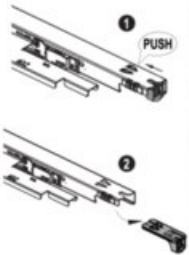
  
VSD Engaging Tab (R)X1

---


**Installation Instruction**

**Caution!**

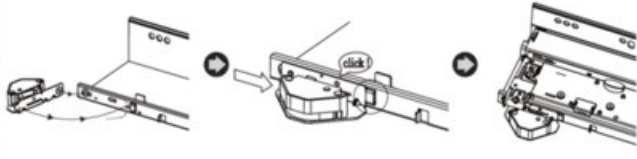
The front clip must be removed before the installation of VSD accessories. If the front clip is not removed in advance, the drawer box will be stuck and fail to open.



**A VSD Engaging Tab Installation.**  
Follow the illustration to attach the tab to slide.




**B Add On VSD Device Installation.**  
Pull the slide forward to full extension, and follow the illustration to engage VSD mechanism.




---

**Functional Instruction**

■ Check L/R Sides VSD Mechanism is Properly Installed.




■ When Sensing vibration or tilt, VSD will activate to prevent the drawer from opening.



■ When VSD is activated the drawer will not pop open more than 2 cm.

■ Reset of VSD Mechanism  
Push the drawer back to closed position, and perform a full cycle of drawer cycle will reset VSD mechanism.



\* Note : King Slide reserves the right to alter specifications of all the products without notice. The actual product may vary from the illustration if the entity is different from the illustration, please refer to the entity.

View this product online at <https://marathonhardware.com/pd/KS-VSD>

