

---

## Door Hinge for Concertina System

**Part Number: SF1C169**

---



Salice Door Hinge for Concertina System

Salice's Concertina Doors System has been designed to open both doors on one side only, giving good access to the interior of the cabinet.

<p><br></p>

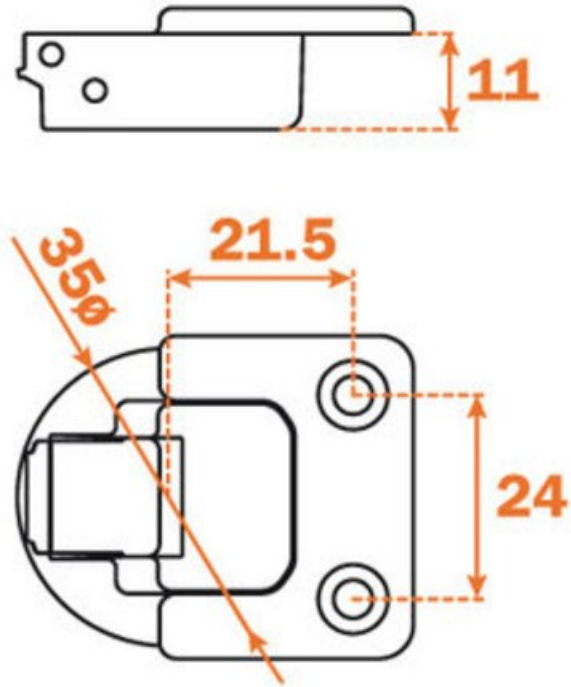
### Product Advantages

Space taken up by the door in the maximum open position is reduced to a minimum (approximately 80 mm).

---



## Technical Documents



View this product online at <https://marathonhardware.com/pd/SF1C169>

Technical Documents



View this product online at <https://marathonhardware.com/pd/SF1C169>

