



## Premium Cabinet Hardware Jig

**Part Number: TP-1935**

Premium Cabinet Hardware Jig, includes Extension Set, Extended Ruler Attachment, and Carrying Case.

The TP-1935 is our complete hardware drilling solution for hardware up to 38in, plus the bonus of shelf pin holes.

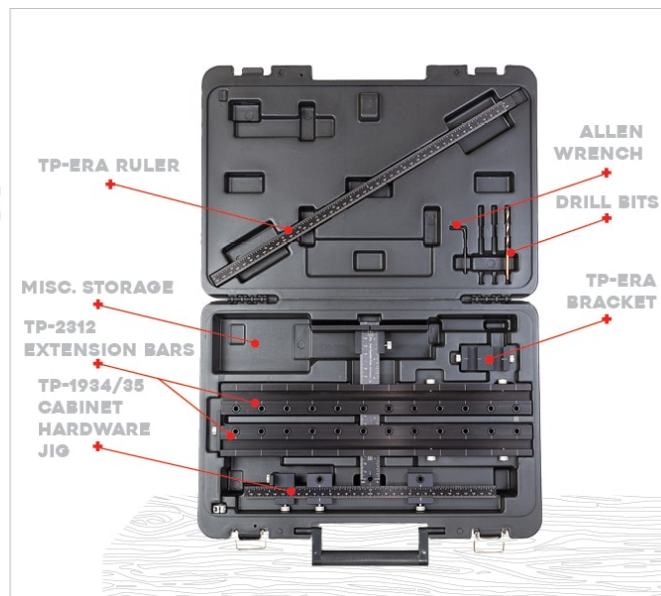
### Product Description

The TP-1935 is our complete hardware drilling solution for hardware up to 38" C-C, plus the bonus of shelf pin holes. This is the hardware solution you have been dreaming about! Includes items TP-1934, TP-2312 and TP-ERA, making it the must have professional hardware installation tool. It is the only jig of its kind, addressing virtually every handle on the market as well as the added bonus of installing shelf pins on the go!

Install Knobs and Handles without the tedious hours of measuring or making jigs – Fast, accurate hardware installation in seconds, every time. Adjust the sliding guides along the laser etched rulers (inch & mm) to precisely match your hardware location and measurements. Tighten the thumbscrews and drill through the hardened bushings, no clamp needed! Reversible design allows you to flip the tool over to the next door without adjustment. Includes additional guide for drawer fronts, and end stop for doors. Install cabinet hardware in minutes, not hours!

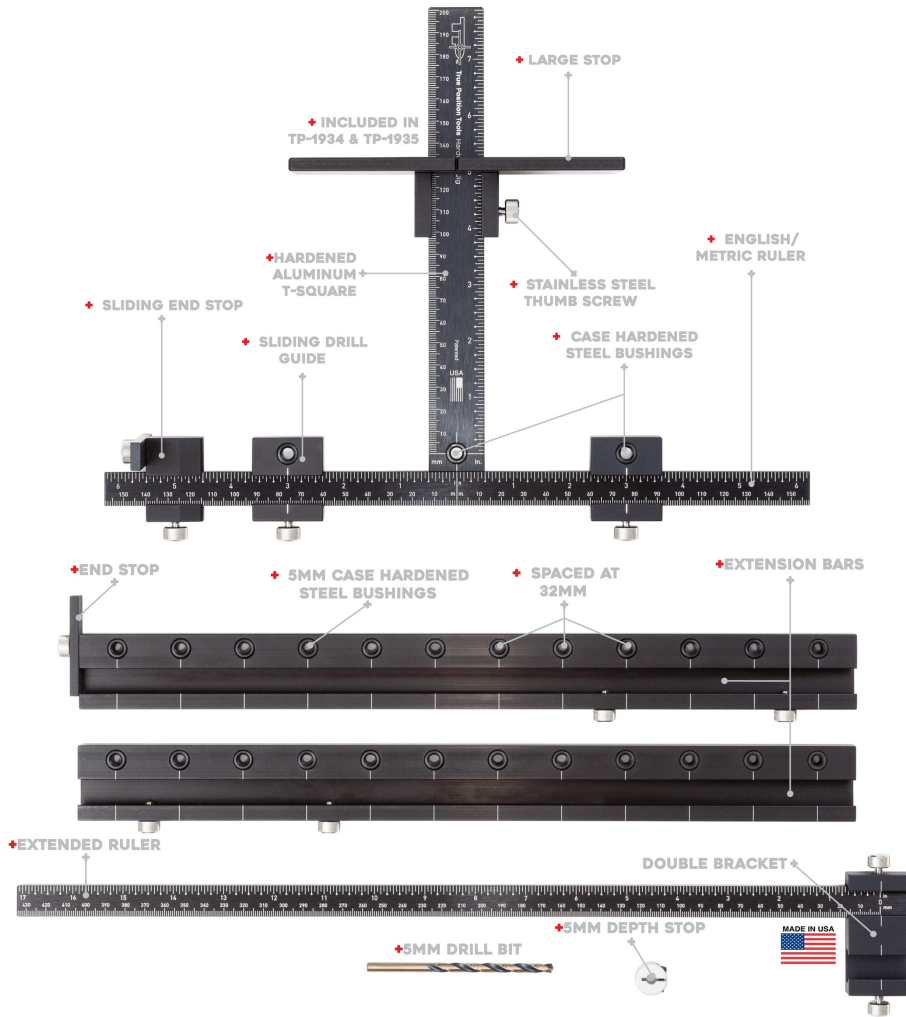
### THE COMPLETE CABINET HARDWARE DRILLING SOLUTION.

ITEMS INCLUDED IN TP-1935 KIT



# +TP-1935

## + CABINET HARDWARE JIG



## Product Advantages

- Install handles up to 960mm (38 inches) Centre to Centres
- Included TP-ERA (Extended Ruler Attachment) provides a stop for drawer fronts up to 42" wide
- Case included - Rigid plastic case with stainless steel clasps and handle for easy transport
- Doubles as a portable 32mm shelf pin jig
- Reversible for speedy drilling - Simply flip tool over for repeated settings on door fronts

Technical Documents

### USING EXTENDED RULER ATTACHMENT (TP-ERA) ON DRAWER



For fast repeatability use the Extended Ruler Attachment

Align each ruler at the 3" mark to extend the length of ruler to 12"

Measure drawer width

Set small end stop to half the drawer width

Now you are ready to drill on entire drawer bank

Perfectly placed

Everytime

If your handle pattern interferes with double bracketed move below & square and connect the 3" ruler at the 3" mark as pictured above

### LARGE HANDLE ON WIDE DRAWER FRONT



We demonstrate a method to center a long pull on a Drawer - line up center of one hole with edge of Drawer

Measure from left of drawer to center of left hole on hardware. Use half this to set for the sliding stop end on the end.

Mark selected drill bushing with tape on extension (included in TP-2512, TP-1923)

Adjust end stop at desired distance from the marked bushing

Lay the pull on the jig align with top hole

Now mark the other hole with tape

Measure height of drawer use half that number for center

Set the Large Stop and tighten at desired location

Hold stops firm against top and left side of drawer and drill your holes

Long hardware installed



## TRUE POSITION TOOLS

A guide to using True Position Tools Hardware Jigs

- Always secure sliding guides and stops in position and tighten before drilling.
- Be sure to wear proper safety gear when using power tools
- Make sure hands are out of the way when drilling

See more [www.truepositiontools.com](http://www.truepositiontools.com)

### KNOB ON DOOR INSTALLATION



Place hardware to find the position you like

Measure from bottom mark position with pencil

Measure from side

Match the sliding end stop with your bottom measurement and tighten

Match Large Stop to your side measurement and tighten

Position tool with stops as shown and drill hole through drill bushing

Reverse tool position onto opposite door and drill

SCAN FOR WEB INSTRUCTIONS



### HANDLE ON DOOR INSTALLATION



Place hardware to find position you like

Measure from bottom mark position with pencil

Measure from side

Measure hole centers of your hardware

Transfer your hardware measurement to the sliding drill bushing and tighten

Match bottom measurement with sliding end stop and tighten

Match side measurement to Large Stop and tighten

Position tool as shown drill through fixed center bushing for bottom hole

Drill through top sliding bushing for top hole

Reverse tool position onto opposite door and drill holes

View this product online at <https://marathonhardware.com/pd/TP-1935>

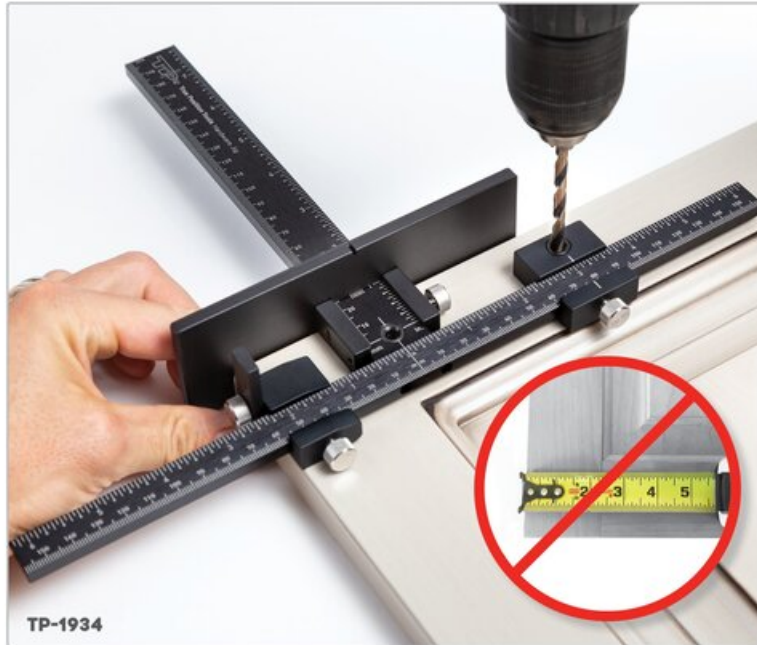
Technical Documents



**1** Set Hardware Spacing



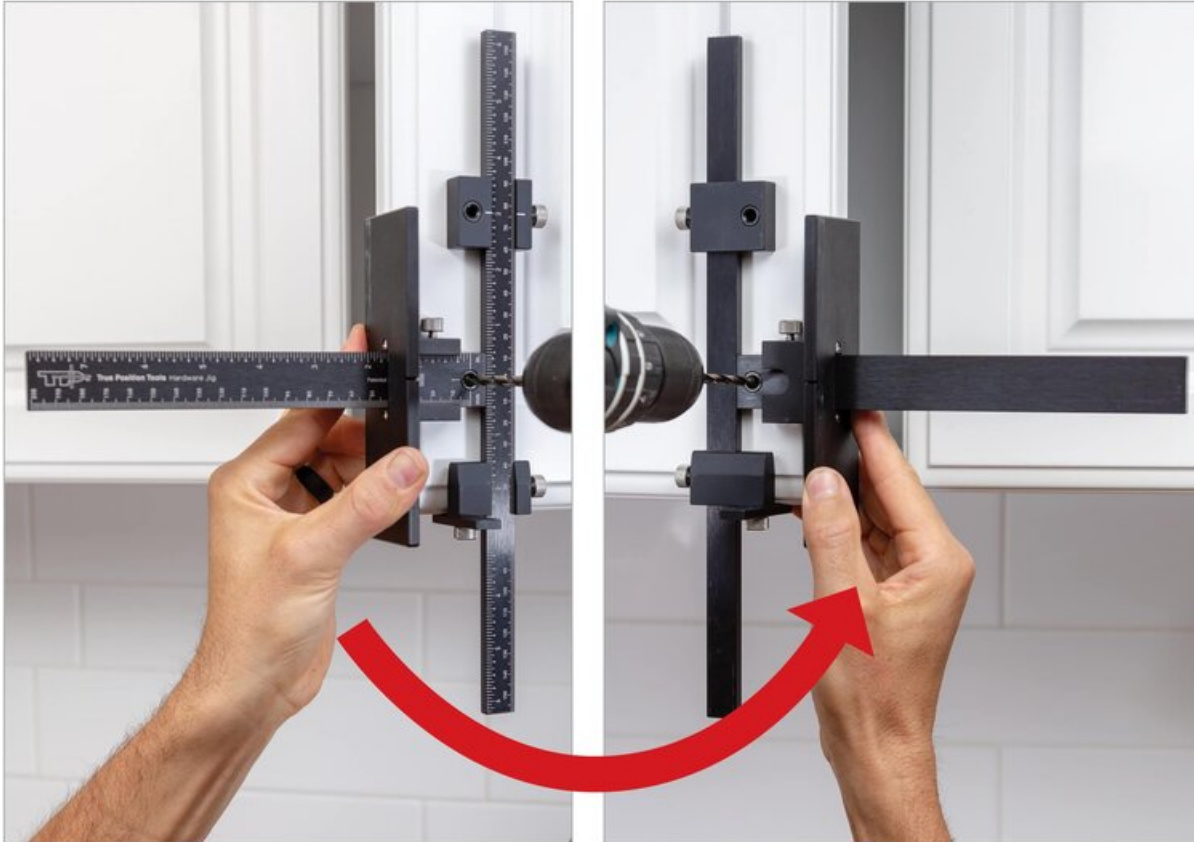
**2** Adjust Location



**3** Hold & Drill

View this product online at <https://marathonhardware.com/pd/TP-1935>

Technical Documents



View this product online at <https://marathonhardware.com/pd/TP-1935>

