



Round Stainless Steel / Grey Waste Bin

Part Number: 04-1009-SSG

Round Stainless Steel/Grey Door Mounted Waste Bin

Round Stainless Steel/Grey Door Mounted Swing Out 15L Waste Bin

<div>
</div>

Bin Included?	Included
Colour	Grey / Stainless Steel
Cover Included?	Included
Depth	15-1/2 in
Diameter	11 in
Material	Plastic / Stainless Steel
Mounting Type	Door Mounted
Suggested for Cabinet (Door) Width	400 mm (16 in)
Volume	15 L
Waste Type	Pivot
Width	14-1/2 in

Product Description

Round Stainless Steel/Grey Door Mounted Swing Out 15L Waste Bin. Mount on door with full overlay hinges Product dimensions listed are given as best estimate based upon an installed demo unit in our showroom. Installed height is about 15-1/2" from base to top of lid cover when opened. Diameter of the unit is approximately 11", and the width is 14-1/2" at the maximum width point during the opening swing. Our expectation is installed in cabinets of 400mm (15-3/4") or greater but you may need to do a practical trial if you have dimensions less than this but within the dimensions given above.

Product Advantages

- Universal Mounting
- Lid Raises on Opening
- Stylish Stainless Steel

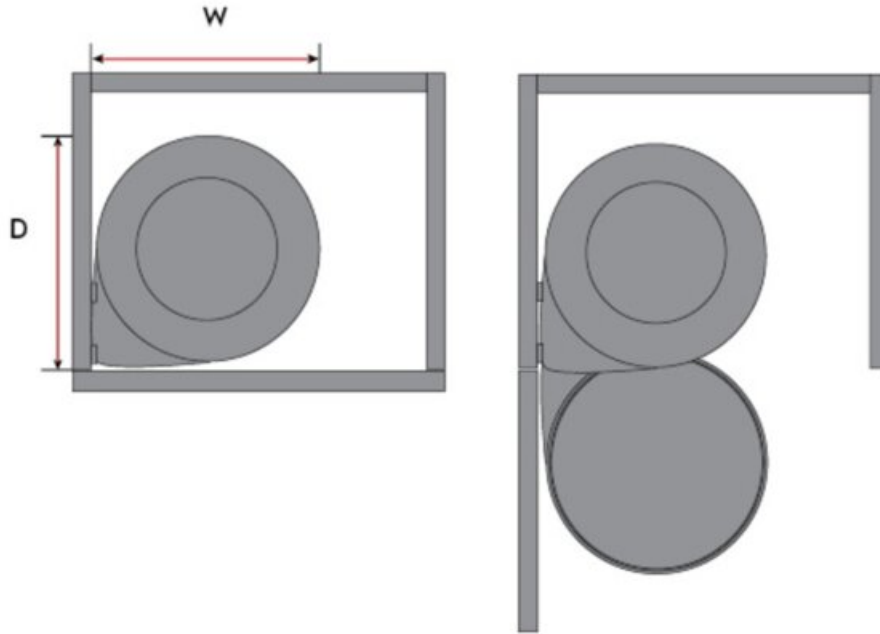


Technical Documents

Planning

Minimum Interior Cabinet Dimensions mm/inch

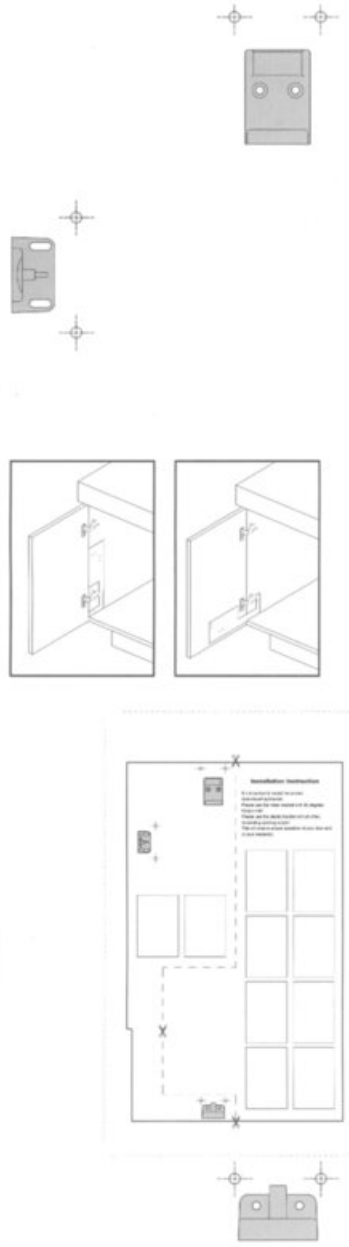
W x H x D 365 x 400 x 330mm (14 3/8 x 15 3/4 x 13")



View this product online at <https://marathonhardware.com/pd/04-1009-SSG>



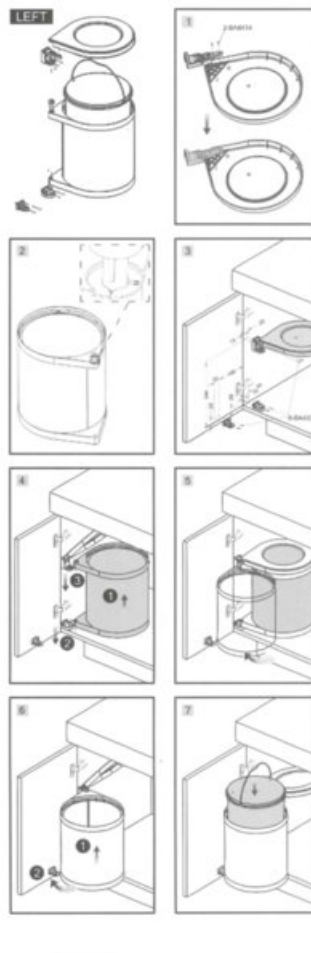
Technical Documents



Installation Instruction

It is important to select the correct door-mounting-bracket.
Please use the metal bracket with 95 degrees hinges only!
Please use the plastic bracket with all other, exceeding opening angles!
This will ensure proper operation of your door and of your waste-bin.

LEFT



1. Insert the waste bin into the door opening.

2. Push the waste bin into the door.

3. Close the door.

4. Push the waste bin into the door.

5. Close the door.

6. Push the waste bin into the door.

7. Close the door.

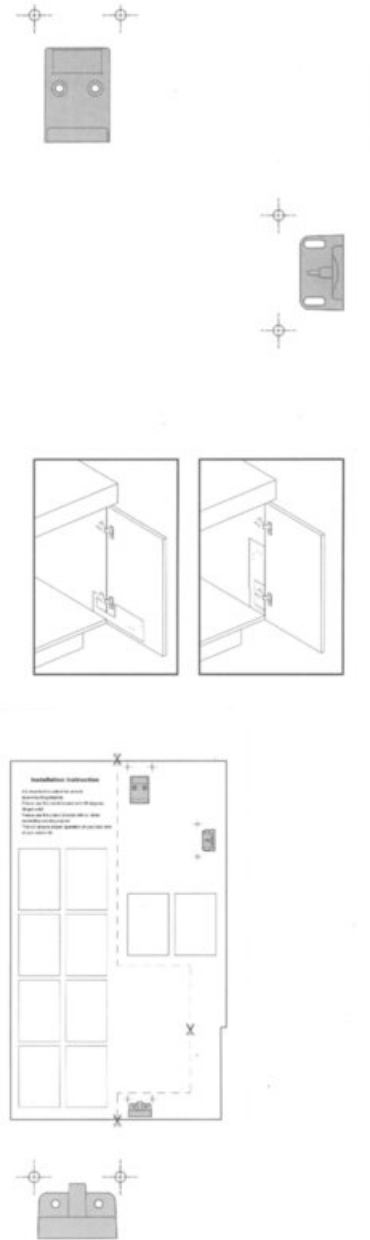
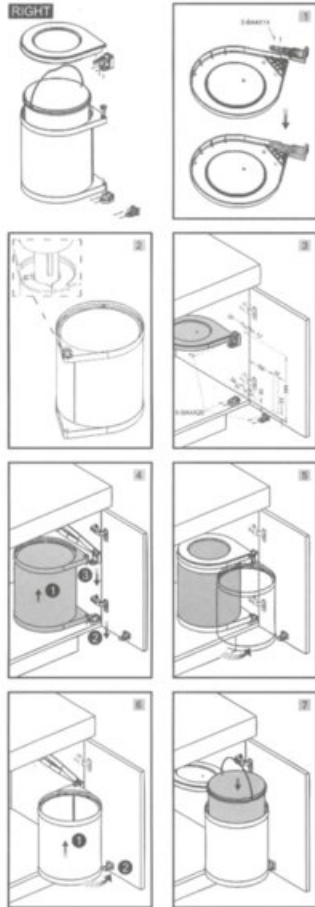
View this product online at <https://marathonhardware.com/pd/04-1009-SSG>



Technical Documents

Installation Instruction

It is important to select the correct door-mounting-bracket.
Please use the metal bracket with 95 degrees hinges only!
Please use the plastic bracket with all other, exceeding opening angles!
This will ensure proper operation of your door and of your waste-bin.



View this product online at <https://marathonhardware.com/pd/04-1009-SSG>

