



Maxi Pantry Pullout Frame 450mm Anthracite Grey

Part Number: 041-VGM1945-AG

Vibo Maxi Pantry Pullout Frame 450mm (18in) Anthracite Grey

The new improved Maxi Pantry which is fixed-height and mounts to the side.

Basket Bottom Type	Anti-Slip Melamine
Depth	488 mm
Finish	Anthracite Grey
Frame Finish	Anthracite
Frame Type	Tall
Height	1845 mm
Interior Height Required	1845 mm (72-5/8 in)
Load Capacity	120 kg
Reversible	Universal
Suggested for Cabinet (Door) Width	450 mm (18 in)
Width	403 mm

Product Description

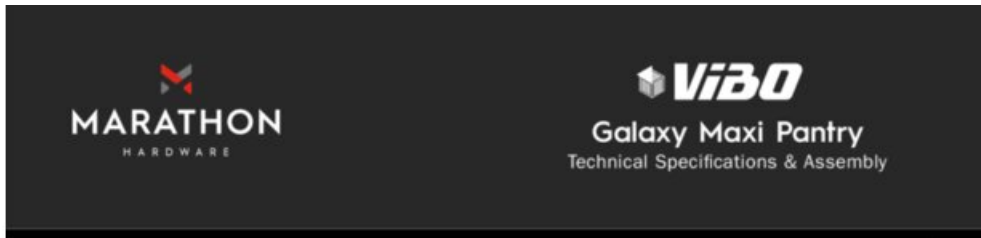
The new and improved Maxi Pantry offers a solution for hinged cabinets where the baskets move out automatically when the door is opened. The improved mechanism is now fixed height and stabilizes the motion with an attachment to the side of the cabinet. For fullest extension, we recommend 120 degree hinges but 110 degree is also compatible.

Product Advantages

- Two widths for 450mm (18") or 600mm (24") cabinets
- Use 120 degree hinges for full extension of baskets
- Load capacity: 120kg (265lbs)



Technical Documents



Galaxy Maxi Pantry

Product Features



The Maxi Pantry offers a solution for hinged cabinets where the baskets move out automatically when the door is opened. A new mechanism now works with 110 or 120 degree hinges and stabilizes the motion with an attachment to the side of the cabinet.

- Frame is side and bottom mounted
- Two widths for 450mm (18") or 600mm (24") cabinets
- Now available in Anthracite Grey and White / Chrome
- Adjustable shelf heights
- 120 degree hinges are best for full extension of baskets
- Anti-slip melamine bottom baskets are TSCA Title VI compliant
- Load capacity: 75kg (165lbs)
- can be installed on a left or right hinged door

Maxi Pantry Frame and Slide

Description	Finish	Part#
W x H x D 414 x 1570-1920 x 488mm (16 1/4 x 61 1/4 - 75 1/2 x 19 1/4")	Anthracite Grey	041-VGM1945-AG
W x H x D 414 x 1570-1920 x 488mm (16 1/4 x 61 1/4 - 75 1/2 x 19 1/4")	Grey	041-VGM1945-G
W x H x D 414 x 1920-2181 x 488mm (21 1/4 x 75 1/4 - 85 1/2 x 19 1/4")	Anthracite Grey	041-VGM1960-AG
W x H x D 414 x 1920-2181 x 488mm (21 1/4 x 75 1/4 - 85 1/2 x 19 1/4")	Grey	041-VGM1960-G

Maxi Pantry Baskets, set of 5

Description	Finish	Part#
W x H x D 320 x 158 x 410mm (12 1/4 x 6 1/4 x 16 1/4")	Anthracite Grey	041-VGML450-AG
W x H x D 320 x 158 x 410mm (12 1/4 x 6 1/4 x 16 1/4")	White & Chrome	041-VGML450-WHC
W x H x D 470 x 158 x 410mm (18 1/2 x 6 1/4 x 16 1/4")	Anthracite Grey	041-VGML600-AG
W x H x D 470 x 158 x 410mm (18 1/2 x 6 1/4 x 16 1/4")	White & Chrome	041-VGML600-WHC

800.840.1228 / MARATHONHARDWARE.COM

View this product online at <https://marathonhardware.com/pd/041-VGM1945-AG>

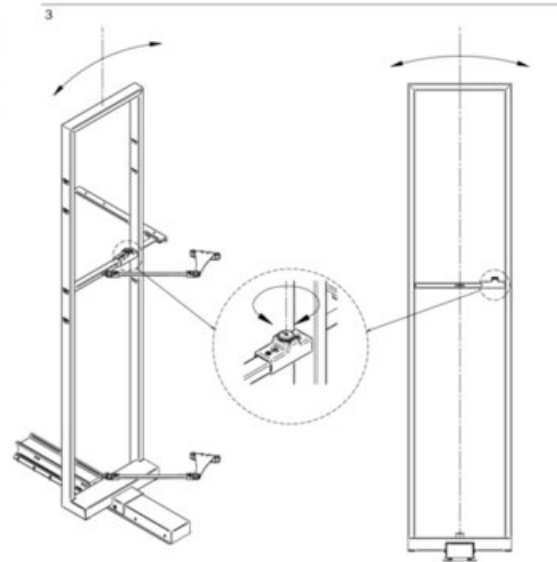
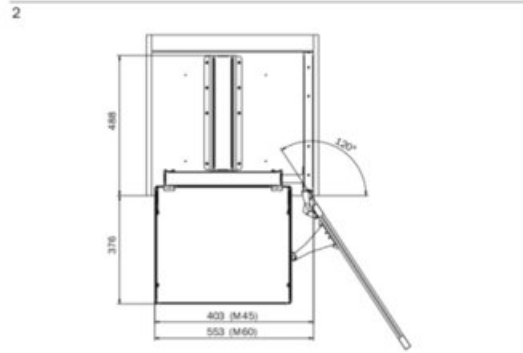
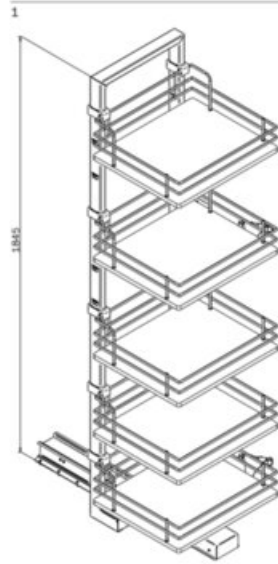


Technical Documents

Maxi-Pantry

- 1. Overall dimensions
- 2. Maxi-Pantry:
Opening door to 120°

- 3. Lateral tilt adjustment



View this product online at <https://marathonhardware.com/pd/041-VGM1945-AG>



Technical Documents

Istruzioni di montaggio Assembling instructions Notice de montage Montageanleitung Manual de montaje		Portata massima: Maximum load: Charge maxi: Maximale belastbarkeit: Carga maxima:	75 Kg						
45 	60 	CEM45S/17.. CEM60S/17..							
30 min.		1							
60 		PRIMA DI COMINCIARE, VEDERE I CONSIGLI DI MONTAGGIO BEFORE STARTING, REFER TO THE ASSEMBLING ADVICE IN ANNEX AVANT DE COMMENCER, SE REPORTER AUX CONSEILS DE MONTAGE EN ANNEXE VOR DIE MONTAGE, BITTE BEILIEGENDE ANWEISUNGEN FOLGEN ANTES DE EMPEZAR CONSULTE LOS CONSEJOS PARA EL MONTAJE							
 A x 1	 B x 1	 C x 1	 D x 2	 E x 1	 F x 1	 G x 1	 H x 2	 I x 1	 L x 1
 M x 1	 N x 1	 O x 4	 Q x 4	 R x 2	 S x 2	 T x 3	 U x 6	 V x 27	

15/06/2017 cod.4004118850 rev.01

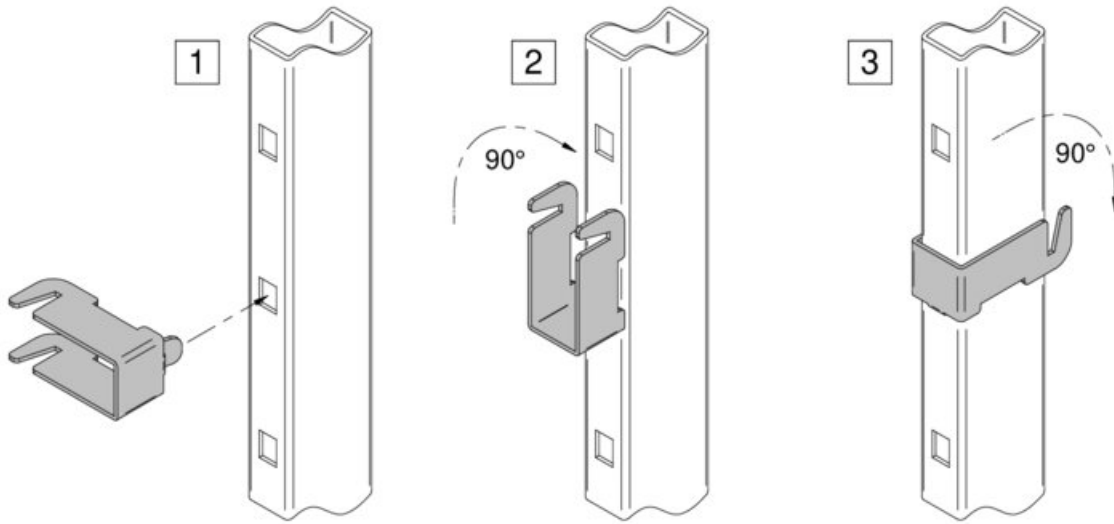
1/8

View this product online at <https://marathonhardware.com/pd/041-VGM1945-AG>



Cod: 4004113640

1/2



View this product online at <https://marathonhardware.com/pd/041-VGM1945-AG>

