



Pantry Pullout Frame, Tall Height

Part Number: 041-VSF1904

Pantry Pull Out Frame, Tall Height, Adjustable from 1693 - 1993mm

These height-adjustable frames for the Pantry Pullout system are intended to be used with the heavy-duty Pivoting Pantry Slide

Depth	497mm
Finish	Light Grey
Frame Type	Tall
Height	1693mm - 1993mm
Interior Height Required	1693 - 1993mm (66-5/8 - 78-7/16 in)
Material	Metal
Width	30mm

Product Description

This pantry pullout features a unique pivoting slide that rotates 90 degrees in either direction at full opening. With two basket styles in a range of widths, this is a complete system for any sized pantry project.

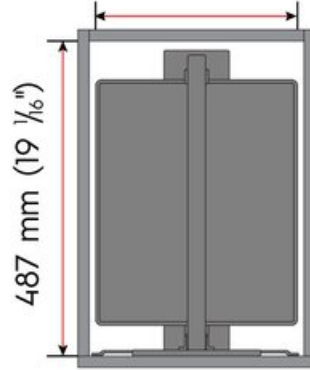
Product Advantages

- Soft-close with full-extension
- 90 degree pivot angle at full opening
- Multiple door widths supported
- Three adjustable frame heights
- Door brackets includes 6-way adjustment
- Baskets for 500mm (20") cabinet width are max. compatible for rotation
- Anti-slip wood melamine bottom baskets are TSCA Title VI compliant
- Load capacity: 100kg (220lbs)



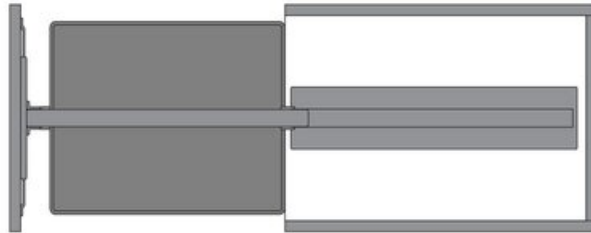
Technical Documents

250-550 mm (9 ⁷/₈"- 21 ⁵/₈")



487 mm (19 ¹/₆")

↑ Height
↓ 1060-2160 mm (41 ³/₄"- 85 ¹/₆")

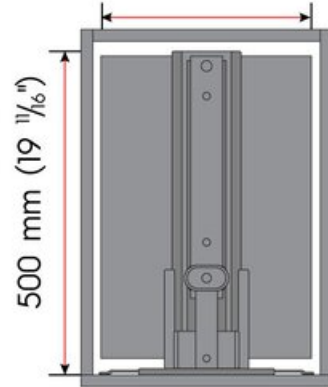


View this product online at <https://marathonhardware.com/pd/041-VSF1904>

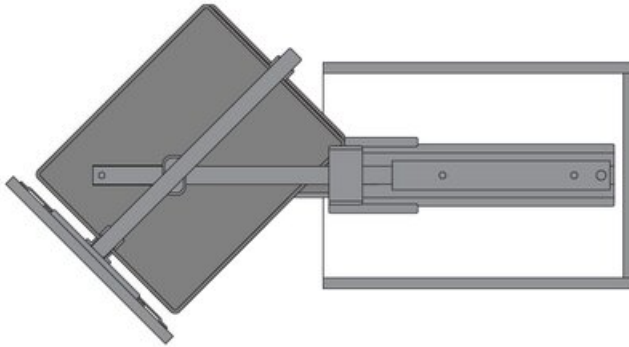


Technical Documents

250- 450mm (9 7/8"- 17 3/4")




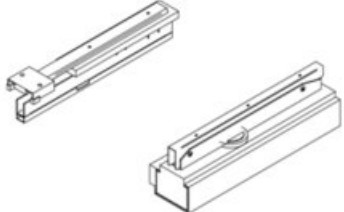




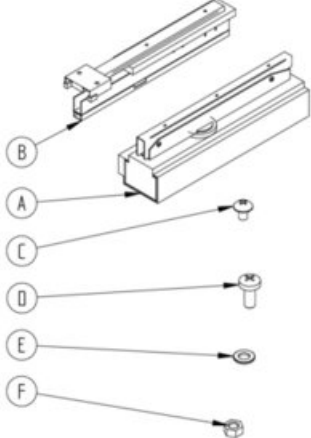






↑
↓
Height
1093-1993 mm (43"- 78 1/2")



View this product online at <https://marathonhardware.com/pd/041-VSF1904>



Technical Documents

	Portata massima: Maximum load: Charge maxi: Maximale belastbarkeit: Carga maxima:	100 Kg Istruzioni di montaggio Assembling instructions Notice de montage Montageanleitung Manual de montaje			
	GCFTMR  15 min  1   8				
	<p>PRIMA DI COMINCIARE, VEDERE I CONSIGLI DI MONTAGGIO</p> <p>BEFORE STARTING, REFER TO THE ASSEMBLING ADVICE IN ANNEX</p> <p>AVANT DE COMMENCER, SE REPORTER AUX CONSEILS DE MONTAGE EN ANNEXE</p> <p>VOR DIE MONTAGE, BITTE BEILIEGENDE ANWEISUNGEN FOLGEN</p> <p>ANTES DE EMPEZAR CONSULTE LOS CONSEJOS PARA EL MONTAJE</p>				
 A x 1	 B x 1	 M4x6 C x 2 Mod. ...04	 M5x12 D x 5	 E x 2	 F x 2

14/09/2011 cod.4004111620_5

1/4

View this product online at <https://marathonhardware.com/pd/041-VSF1904>

