



## Pantry Pullout Frame, Medium Height

**Part Number: 041-VSF1604**

Pantry Pull Out Frame, Medium Height, Adjustable from 1393 - 1693mm

These height-adjustable frames for the Pantry Pullout system are intended to be used with the heavy-duty Pivoting Pantry Slide

Depth	497mm
Finish	Light Grey
Frame Type	Medium
Height	1393mm - 1693mm
Interior Height Required	1393 - 1693mm (54-13/16 - 66-5/8 in)
Material	Metal
Width	30mm

### Product Description

This pantry pullout features a unique pivoting slide that rotates 90 degrees in either direction at full opening. With two basket styles in a range of widths, this is a complete system for any sized pantry project.

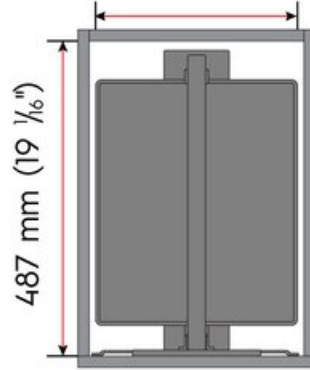
### Product Advantages

- Soft-close with full-extension
- 90 degree pivot angle at full opening
- Multiple door widths supported
- Three adjustable frame heights
- Door brackets includes 6-way adjustment
- Baskets for 500mm (20") cabinet width are max. compatible for rotation
- Anti-slip wood melamine bottom baskets are TSCA Title VI compliant
- Load capacity: 100kg (220lbs)

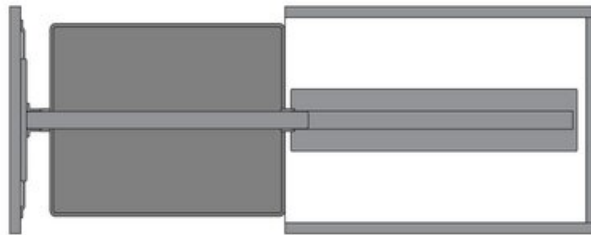


## Technical Documents

250-550 mm (9 <sup>7</sup>/<sub>8</sub>"- 21 <sup>5</sup>/<sub>8</sub>"



↑ Height ↓  
1060-2160 mm (41 <sup>3</sup>/<sub>4</sub>"- 85 <sup>1</sup>/<sub>6</sub>"

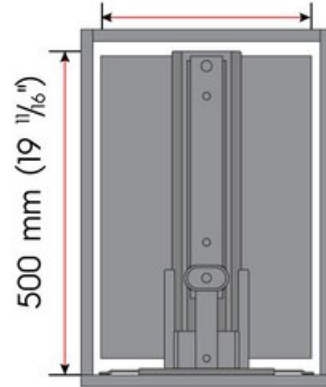


View this product online at <https://marathonhardware.com/pd/041-VSF1604>

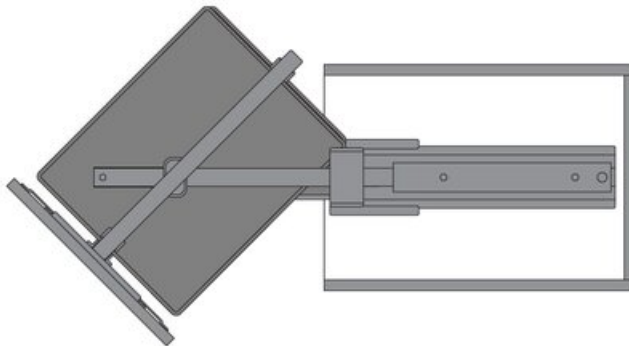


## Technical Documents

250- 450mm (9 7/8"- 17 3/4")




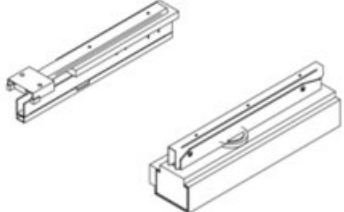




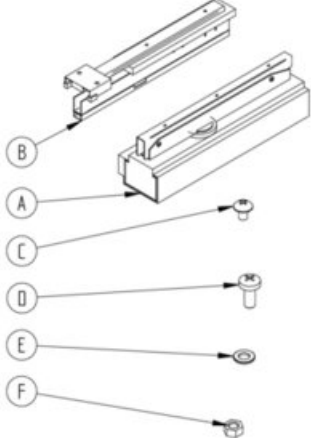






↑  
↓  
Height  
1093-1993 mm (43"- 78 1/2")



View this product online at <https://marathonhardware.com/pd/041-VSF1604>



## Technical Documents

	Portata massima: Maximum load: Charge maxi: Maximale belastbarkeit: Carga maxima:	<b>100</b> Kg  <b>Istruzioni di montaggio</b> Assembling instructions Notice de montage Montageanleitung Manual de montaje			
	<div style="text-align: center; font-size: 24px; font-weight: bold;">GCFTMR</div> <div style="display: flex; justify-content: space-around; align-items: center;"> <div style="text-align: center;">  15 min         </div> <div style="text-align: center;">  1         </div> <div style="text-align: center;">  </div> <div style="text-align: center;">  8         </div> </div>				
	<p><b>PRIMA DI COMINCIARE, VEDERE I CONSIGLI DI MONTAGGIO</b></p> <p>BEFORE STARTING, REFER TO THE ASSEMBLING ADVICE IN ANNEX</p> <p>AVANT DE COMMENCER, SE REPORTER AUX CONSEILS DE MONTAGE EN ANNEXE</p> <p>VOR DIE MONTAGE, BITTE BEILIEGENDE ANWEISUNGEN FOLGEN</p> <p>ANTES DE EMPEZAR CONSULTE LOS CONSEJOS PARA EL MONTAJE</p>				
 A x 1	 B x 1	 M4x6 C x 2 Mod. ...04	 M5x12 D x 5	 E x 2	 F x 2

14/09/2011 cod.4004111620\_5

1/4

View this product online at <https://marathonhardware.com/pd/041-VSF1604>

