

Smooove for Pacta - Grey

Part Number: SD007SNG



Smooove can be added to the cabinet for a soft close feature with Salice Pacta

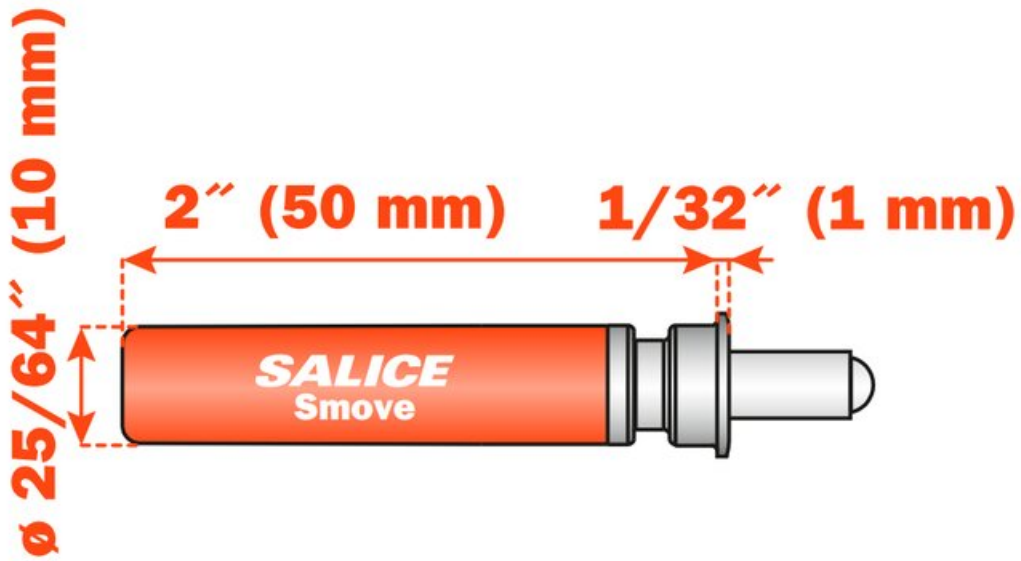
Closing Type	Soft-Close
Colour	Grey
Drilling Depth	50 mm (2 in)
Drilling Diameter	10 mm (25/64 in)
Material	Plastic
Product Diameter	10 mm (25/64 in)

Product Description

Smooove can be added to the cabinet for a soft close feature with Salice Pacta. For best function, install the Smooove 2 to 3 inches from the bottom. Drill a hole into the side panel of the cabinet that is 10mm in diameter and 50mm deep. Then press the Smooove into the recessed hole until firmly set.



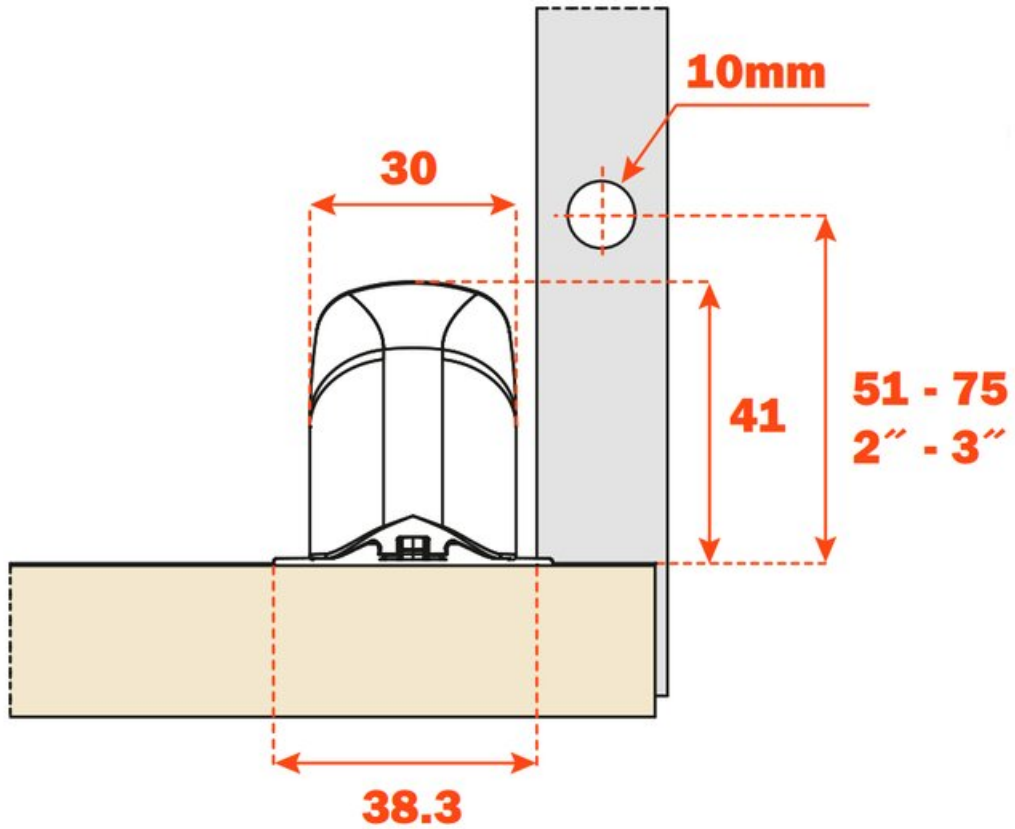
Technical Documents



View this product online at <https://marathonhardware.com/pd/SD007SNG>



Technical Documents



View this product online at <https://marathonhardware.com/pd/SD007SNG>



Technical Documents



Pacta
SALICE

USA CDN

View this product online at <https://marathonhardware.com/pd/SD007SNG>

