



Hinge 106°, 1/4" Overlay, Screw-On, 2-Way Cam

Part Number: SCSP3Y99

Salice Face Frame Hinge 106°, 1/4" Overlay, Screw-On, 2-Way Cam

Salice Face Frame Hinge 106°, 1/4" Overlay, Screw-On, with 2-way Cam Adjustments

<div>
</div>

Adjustment Type	2-Way Cam Adjust
Angle	106
Application Type	Face Frame
Closing Type	Self-Close
Door Type	Face Frame
Finish	Nickel
Hinge Cup Depth	11
Hinge Door Thickness	Up to 3/4" Thick
Mounting Type	Screw-On
Overlay	1/4 in

Product Description

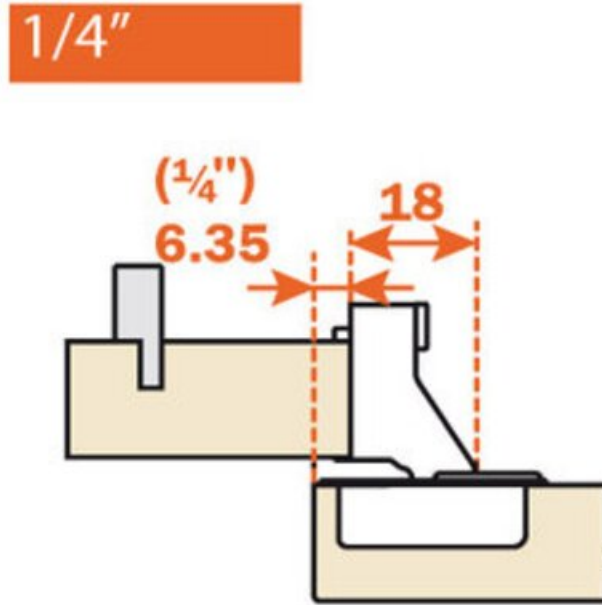
Salice Excentra Face Frame hinges enable easy and simple installation while combined with their superior technical features ensuring that you receive a reliable and consistent door action. These low-profile, one-piece face frame hinges provide eccentric cams for two way adjustments, including side-to-side and in-and-out, providing you with perfect alignment. Available in both screw-on and doweled versions, they will enable long-lasting attachment to the frame with superior stability and zero door protrusion. Expect a lifetime of smooth opening and closing in your kitchen when you pick Salice.

Product Advantages

- Salice provides a lifetime warranty
- Precise door alignment
- Zero door protrusion
- Boring pattern same as the industry standard



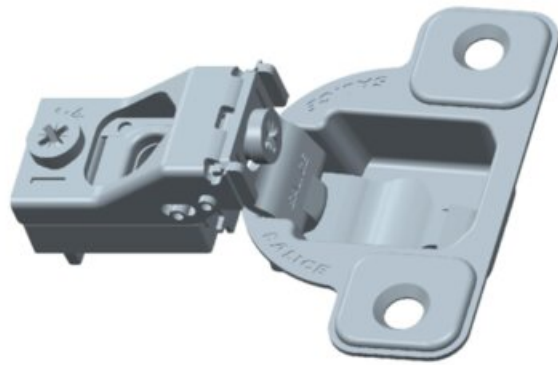
Technical Documents



View this product online at <https://marathonhardware.com/pd/SCSP3Y99>

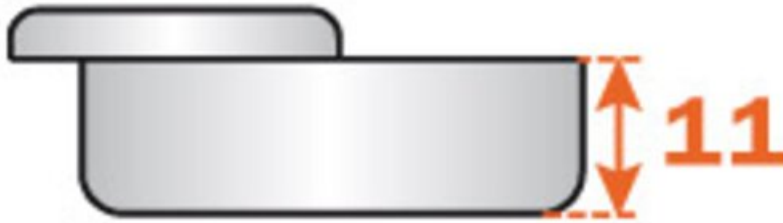


Technical Documents



View this product online at <https://marathonhardware.com/pd/SCSP3Y99>

Technical Documents



View this product online at <https://marathonhardware.com/pd/SCSP3Y99>

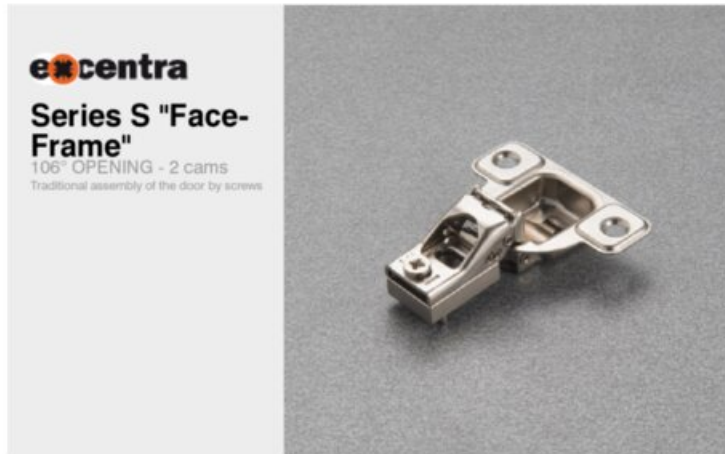


Technical Documents



hinges

automatic closing / face frame hinge / standard applications



Stamped steel.
 Cup depth 11 mm (7/16").
 Opening 106° degrees.
 Drilling distance (K) fixed at 2.5 mm (3/32").
 Gap between door and frame (L) = 4.6 mm.



For overlays from 1/4" through 3/4" the "A" value (Reveal) = 8.3 mm for (21/64") square edge doors at 90° opening.

For overlays from 1" through 1-7/16" the "A" value (Reveal) = 5.2 mm for (3/4") square edge doors at 90° opening.

ARTURO SALICE S.p.A. (società con unico socio)
 VIA PROVINCIALE MONTEVEGALTI, 10
 02040 MONTEVEGALTI (COMO) ITALIA
 TEL. 031 704204
 FAX 031 701808
 info.salice@salice.com
 www.salice.com
 CAPITAL SOC. € 28.000.000 I.V.
 S.P.A. P. IVA 00211850230
 REG. IMPRESSE COMO 00211850230
 COD. COMM. 0290289

DEUTSCHE SALICE GmbH
 TALEN WERKWERKSTRASSE
 40474 DUISBURG
 www.salice.com
SALICE UK Ltd.
 HUNTINGDON CAMBS PE28 6PN
 www.saliceuk.co.uk

SALICE FRANCE S.A.R.L.
 06040 ANTIBES
 www.salicefrance.com
SALICE CANADA Inc.
 MISSISSAUGA, ONTARIO L4L 8Y1
 www.salicecanada.com

SALICE AMERICA Inc.
 CHARLOTTE NC 28227
 www.saliceusa.com
SALICE ESPAÑA, S.L.
 CRUJOS (BARCELONA)
 www.saliceespana.es

View this product online at <https://marathonhardware.com/pd/SCSP3Y99>

