

Hinge 106°, 1-7/16" Overlay, Dowels, 3-Way Cam



Part Number: SCSR3D99NR

Salice Face Frame Hinge 106°, 1-7/16" Overlay, Dowels, 3-Way Cam

Salice Face Frame Hinge 106°, 1-7/16" Overlay, Screw-On, with 3-way Cam Adjustments

Adjustment Type	3-Way Cam Adjustment
Angle	106
Application Type	Face Frame
Closing Type	Self-Close
Door Type	Face Frame
Finish	Nickel
Hinge Cup Depth	11
Hinge Cup diameter	35 mm
Hinge Door Thickness	Up to 3/4" Thick
Hinge Type	Integrated Winged Mounting Plate
Mounting Type	Dowels
Overlay	1-7/16 in

Product Description

Salice Excentthree Face Frame hinges enable easy and simple installation while combined with their superior technical features ensuring that you receive a reliable and consistent door action. These low-profile, one-piece face frame hinges provide eccentric cams for three way adjustments, including side-to-side, up-down, and in-and-out, providing you with perfect alignment. Available in both screw-on and doweled versions, they will enable long-lasting attachment to the frame with superior stability and zero door protrusion. Expect a lifetime of smooth opening and closing in your kitchen when you pick Salice.

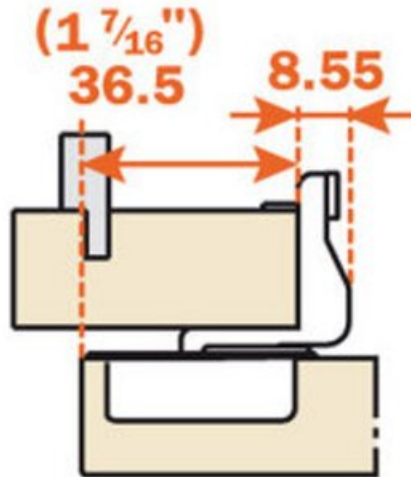
Product Advantages

- Salice provides a lifetime warranty
- Precise door alignment
- Zero door protrusion
- Boring pattern same as the industry standard



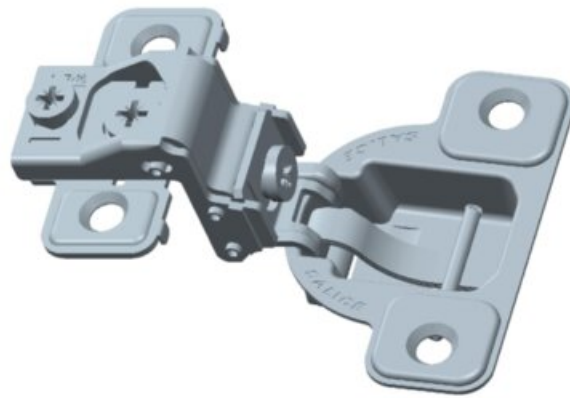
Technical Documents

1 7/16"



View this product online at <https://marathonhardware.com/pd/SCSR3D99NR>

Technical Documents



View this product online at <https://marathonhardware.com/pd/SCSR3D99NR>

Technical Documents



View this product online at <https://marathonhardware.com/pd/SCSR3D99NR>



Technical Documents



hinges

automatic closing / face frame hinge / standard applications



Stamped steel.
 Cup depth 11 mm (7/16").
 Opening 106° degrees.
 Drilling distance (K) fixed at 2.5 mm (3/32").
 Gap between door and frame (L) = 4.6 mm.

For overlays from 1/2" through 3/4" the "A" value (Reveal) = 8.3 mm for (21/64") square edge doors at 90° opening.

For overlays from 1" through 1-7/16" the "A" value (Reveal) = 5.2 mm for (3/4") square edge doors at 90° opening.

ARTURO SALICE S.p.A. (004683 con Unità SGRS)
 VIA PROVINCIALE MONTEPRETE, 10
 02040 MONTEPRETE (COMO) ITALIA
 TEL. 031 704204
 FAX 031 701808
 info.salice@salice.com
 www.salice.com
 CAPITAL SOC. € 28.000.000 I.V.
 S.P.A. P. P. RA 00211850230
 REG. IMPRESSE COMO 00211850230
 COD. COMM. 0190289

DEUTSCHE SALICE GmbH
 TALEN WERKWERKSTRASSE
 40474 DUISBURG
 www.salice.de
SALICE UK Ltd.
 HUNTINGDON CAMBS PE28 6PN
 www.salice.co.uk

SALICE FRANCE S.A.R.L.
 06040 ANTIBES
 www.salice.com
SALICE CANADA Inc.
 MONTREAL, QUEBEC L3L 8Y1
 www.salicecanada.com

SALICE AMERICA Inc.
 CHARLOTTE NC 28227
 www.saliceusa.com
SALICE ESPAÑA, S.L.
 08003 BRNO, LERJ
 www.saliceespana.es

View this product online at <https://marathonhardware.com/pd/SCSR3D99NR>

