

# Hinge 106°, 1" Overlay, Screw-On, 3-Way Cam



**Part Number: SCSP3299NR**

Salice Face Frame Hinge 106°, 1" Overlay, Screw-On, 3-Way Cam

Salice Face Frame Hinge 106°, 1" Overlay, Screw-On, with 3-way Cam Adjustments

Adjustment Type	3-Way Cam Adjustment
Angle	106
Application Type	Face Frame
Closing Type	Self-Close
Door Type	Face Frame
Finish	Nickel
Hinge Cup Depth	11
Hinge Cup diameter	35 mm
Hinge Door Thickness	Up to 3/4" Thick
Hinge Type	Integrated Winged Mounting Plate
Mounting Type	Screw-On
Overlay	1 in

## Product Description

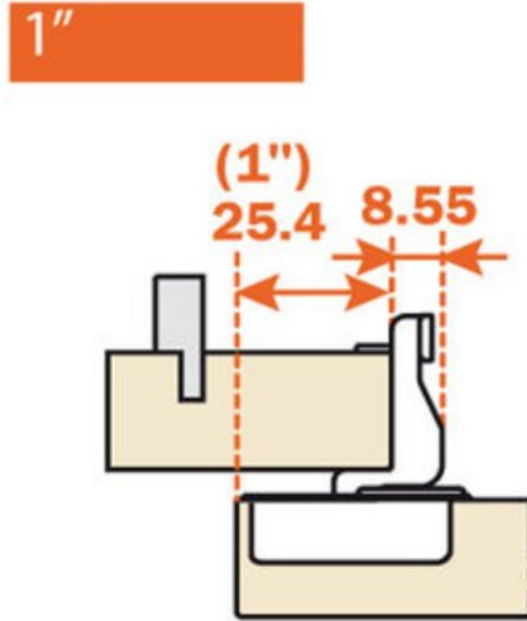
Salice Excentthree Face Frame hinges enable easy and simple installation while combined with their superior technical features ensuring that you receive a reliable and consistent door action. These low-profile, one-piece face frame hinges provide eccentric cams for three way adjustments, including side-to-side, up-down, and in-and-out, providing you with perfect alignment. Available in both screw-on and doweled versions, they will enable long-lasting attachment to the frame with superior stability and zero door protrusion. Expect a lifetime of smooth opening and closing in your kitchen when you pick Salice.

## Product Advantages

- Salice provides a lifetime warranty
- Precise door alignment
- Zero door protrusion
- Boring pattern same as the industry standard



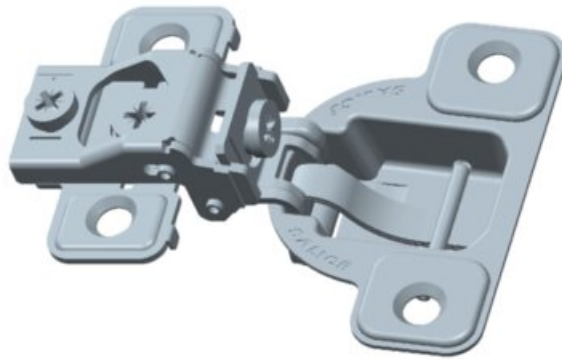
## Technical Documents



View this product online at <https://marathonhardware.com/pd/SCSP3299NR>

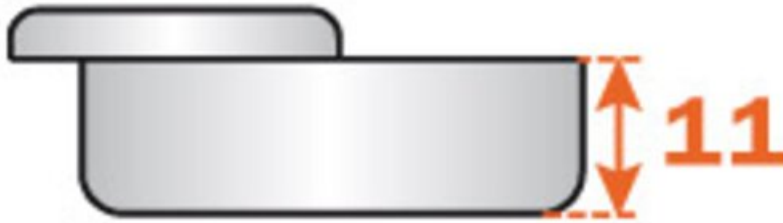
---

Technical Documents



View this product online at <https://marathonhardware.com/pd/SCSP3299NR>

Technical Documents



View this product online at <https://marathonhardware.com/pd/SCSP3299NR>



## Technical Documents



### hinges

automatic closing / face frame hinge / standard applications



Stamped steel.  
 Cup depth 11 mm (7/16").  
 Opening 106° degrees.  
 Drilling distance (K) fixed at 2.5 mm (3/32").  
 Gap between door and frame (L) = 4.6 mm.

For overlays from 1/2" through 3/4" the "A" value (Reveal) = 8.3 mm for (21/64") square edge doors at 90° opening.

For overlays from 1" through 1-7/16" the "A" value (Reveal) = 5.2 mm for (3/4") square edge doors at 90° opening.



**ARTURO SALICE S.p.A.** (società con unico socio)  
 VIA PROVINCIALE MONTEVEIRATE, 10  
 22060 MONTEVEIRATE (COMO) ITALIA  
 TEL. 031 704204  
 FAX 031 701808  
 info.salice@salice.com  
 www.salice.com  
 CAPITAL SOC. € 28.000.000 I.V.  
 C.F. P.P. IVA 00211850130  
 REG. IMPRESSE COMO 00211850130  
 COD. COMM. 1790288

**DEUTSCHE SALICE GmbH**  
 TALEN WERKWERKSTRASSE  
 40474 DUISBURG  
 www.salice.de  
**SALICE UK Ltd.**  
 HUNTINGDON CAMBS PE28 6PN  
 www.salice.co.uk

**SALICE FRANCE S.A.R.L.**  
 06000 ANTIBES  
 www.salicefrance.com  
**SALICE CANADA Inc.**  
 MISSISSAUGA, ONTARIO L4L 8Y1  
 www.salicecanada.com

**SALICE AMERICA Inc.**  
 CHARLOTTE NC 28227  
 www.saliceusa.com  
**SALICE ESPAÑA, S.L.**  
 CRAYO (BARCELONA)  
 www.saliceespana.es

View this product online at <https://marathonhardware.com/pd/SCSP3299NR>

