



Plate 2mm Cross Cam Adjust. Euro screws



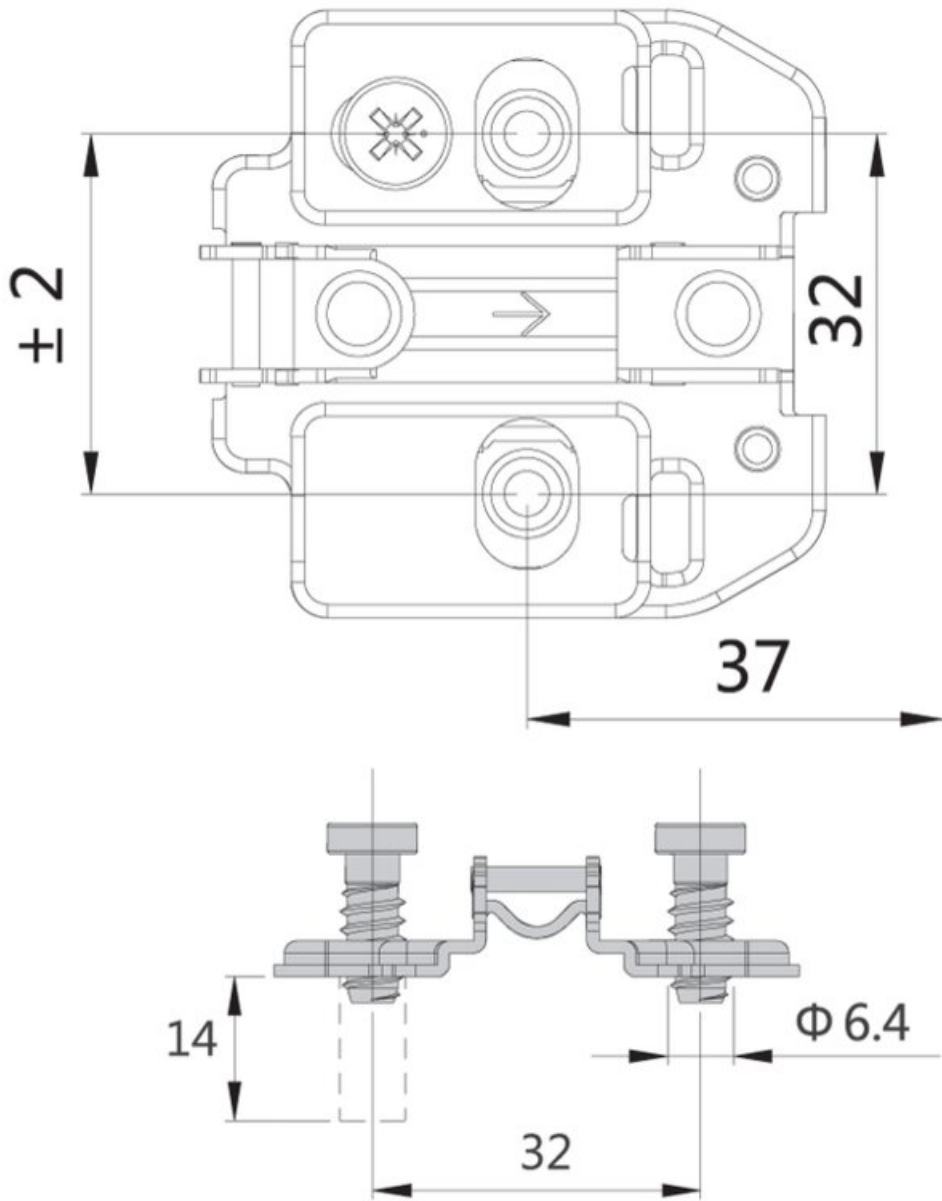
Part Number: 105-81T22TQ

DTC Mounting Plates for Pivot Star C-81 Hinges

| | | |
|-----------------|-------|-----------------------|
| Adjustment Type | ----- | Cam Height Adjustment |
| Closing Type | ----- | Soft-Close |
| Finish | ----- | Nickel |
| Height | ----- | 2 mm |
| Hinge Type | ----- | DTC C81 Soft-Close |
| Material | ----- | Steel |
| Mounting Type | ----- | Euro screws |
| Plate Type | ----- | Clip-On |



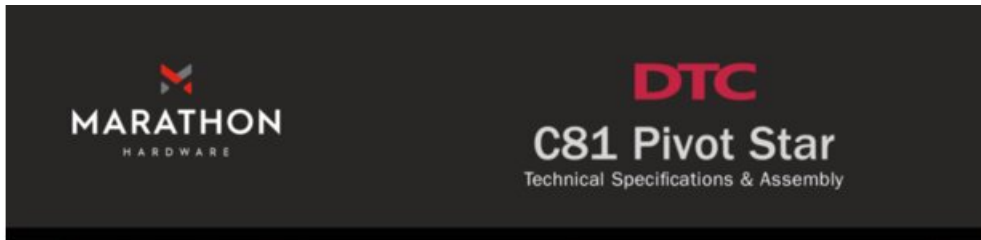
Technical Documents



View this product online at <https://marathonhardware.com/pd/105-81T22TQ>



Technical Documents



C81 Pivot Star 110 Degree Soft-Close

Product Features



- New improved design and engineering
- Enhanced soft-close
- Relaxed opening with stronger catch
- 2-way cam adjust
- Depth of hinge cup: 11.5mm
- Diameter of hinge cup: 35mm
- Range of door thickness: 16-26mm
- Range of drilling distance (TAB/K): 3-6mm

Product Description

The award-winning DTC C-81 Pivot Star hinge is the world's first speed adjustable soft-close hinge. A new snap-on design speeds installation and creates a more solid connection between hinge and mounting plate. The C-81 Pivot Star is not just for the kitchen. Installing these premium hinges throughout the home avoids the unwanted noise of closing a cabinet door with the ability to adjust

Full Overlay

| | Part# | Mounting | Qty |
|--|----------------|----------------|---------|
|  | 105-C81-A675F | Screw-On | 200/Box |
| | 105-C81-A675NF | Press-In Dowel | 200/Box |

Half Overlay

| | Part# | Mounting | Qty |
|---|----------------|----------------|---------|
|  | 105-C81-B675F | Screw-On | 200/Box |
| | 105-C81-B675NF | Press-In Dowel | 200/Box |

Inset Overlay

| | Part# | Mounting | Qty |
|---|----------------|----------------|---------|
|  | 105-C81-C675F | Screw-On | 200/Box |
| | 105-C81-C675NF | Press-In Dowel | 200/Box |

800.840.1228 / MARATHONHARDWARE.COM

View this product online at <https://marathonhardware.com/pd/105-81T22TQ>

