



## Plate 2mm Cross Cam Adjust.

**Part Number: 105-81T20TQ**

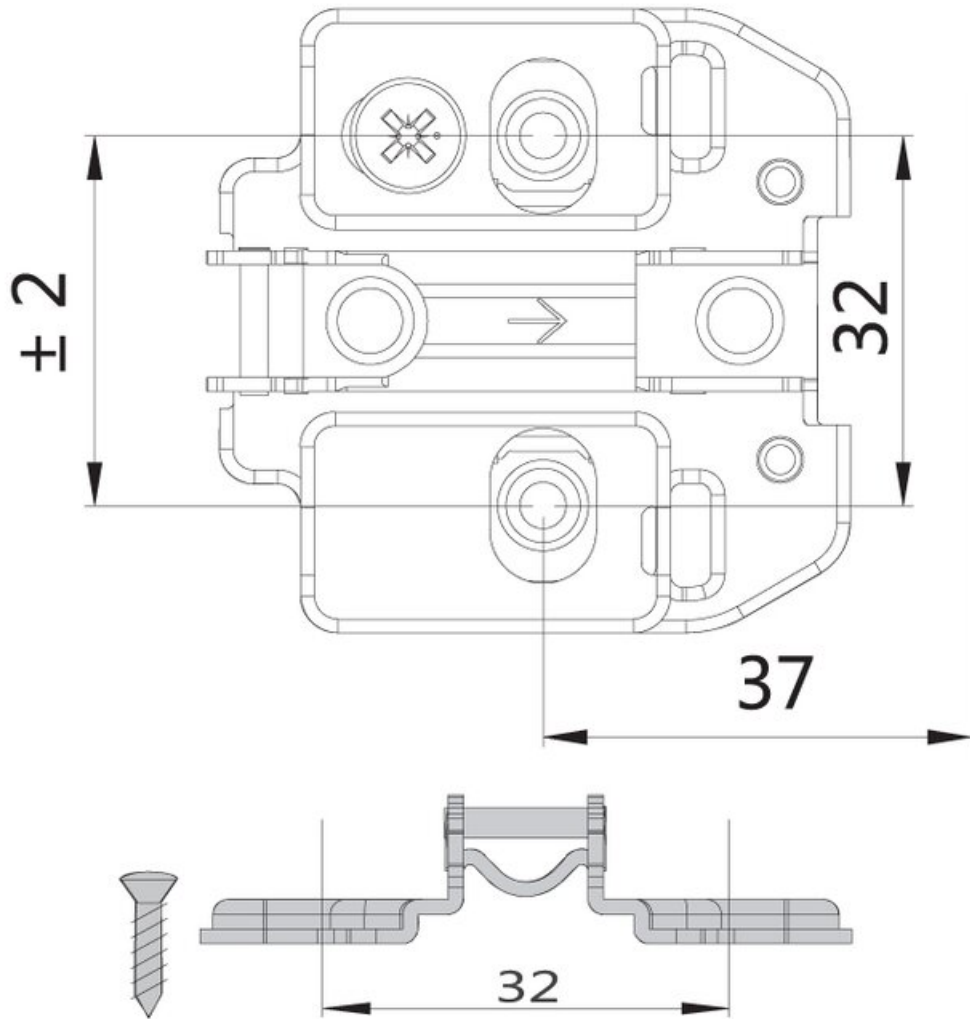


DTC Mounting Plates for Pivot Star C-81 Hinges

Adjustment Type	-----	Cam Height Adjustment
Closing Type	-----	Soft-Close
Finish	-----	Nickel
Height	-----	2 mm
Hinge Type	-----	DTC C81 Soft-Close
Material	-----	Steel
Mounting Type	-----	Screw-On
Plate Type	-----	Clip-On



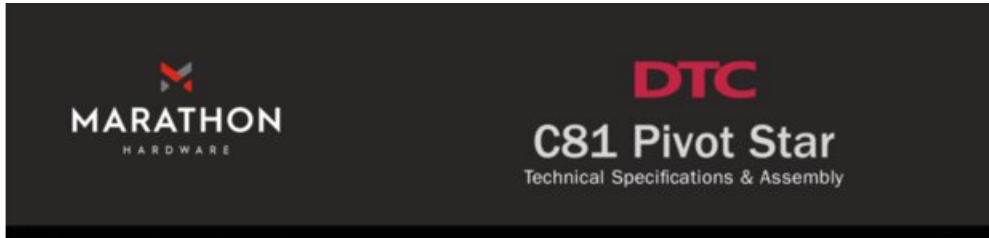
## Technical Documents



View this product online at <https://marathonhardware.com/pd/105-81T20TQ>



## Technical Documents



### C81 Pivot Star 110 Degree Soft-Close

### Product Features



- New improved design and engineering
- Enhanced soft-close
- Relaxed opening with stronger catch
- 2-way cam adjust
- Depth of hinge cup: 11.5mm
- Diameter of hinge cup: 35mm
- Range of door thickness: 16-26mm
- Range of drilling distance (TAB/K): 3-6mm

### Product Description

The award-winning DTC C-81 Pivot Star hinge is the world's first speed adjustable soft-close hinge. A new snap-on design speeds installation and creates a more solid connection between hinge and mounting plate. The C-81 Pivot Star is not just for the kitchen. Installing these premium hinges throughout the home avoids the unwanted noise of closing a cabinet door with the ability to adjust

### Full Overlay

	Part#	Mounting	Qty
	105-C81-A675F	Screw-On	200/Box
	105-C81-A675NF	Press-In Dowel	200/Box

### Half Overlay

	Part#	Mounting	Qty
	105-C81-B675F	Screw-On	200/Box
	105-C81-B675NF	Press-In Dowel	200/Box

### Inset Overlay

	Part#	Mounting	Qty
	105-C81-C675F	Screw-On	200/Box
	105-C81-C675NF	Press-In Dowel	200/Box

800.840.1228 / MARATHONHARDWARE.COM

View this product online at <https://marathonhardware.com/pd/105-81T20TQ>

