



Closet Rod End Cap Open Chrome 1-5/16in

Part Number: K766CHR

KV 766 Series Closet Rod Holder for 12 ft Round Rods, 1-5/16 in, Open End, Chrome

KV 766 Series Round OpenEnd Cap for 1-5/16 in Diameter Closet Rod, Chrome

<div>
</div>

Closet Rod Shape	Round
Diameter	1-5/16 in
Finish	Chrome
Length	12 ft
Mounting Type	Screw-On
Offset	Open End

Product Description

This Knappe & Vogt Closet Rod Flange is designed to easily fit any standard sized 1-5/16" Diameter Closet Rod. With the open top, it makes it easy to drop in a closet rod and easy to remove. Consider combining one open-top flange with a second round closed top flange, to ensure that the closet rod is securely installed yet just as easy to remove. Mount using flat-head robertson screws.

Product Advantages

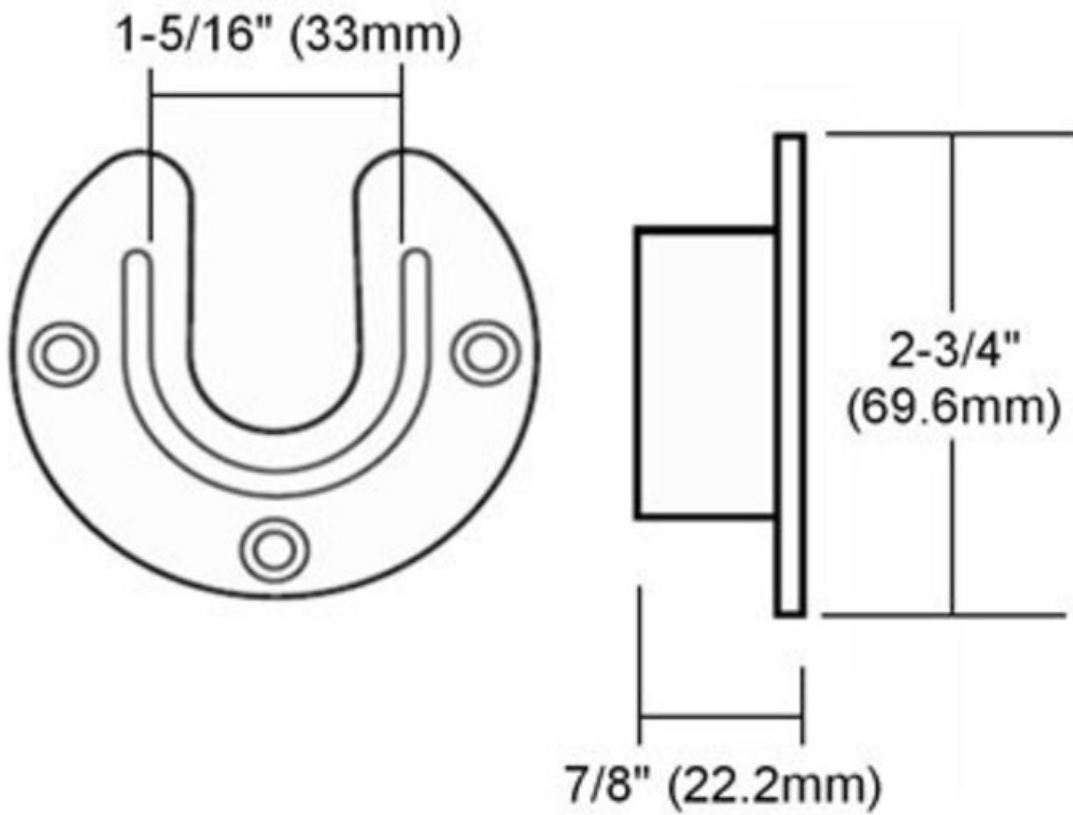
- Open top allows closet rod to slide in
- Fits standard 1-5/16" closet rods

Important Information

Closet Rods may incur additional special shipping and handling charges when carried via common carriers. Applies to Closet Rods longer than 6 feet to a maximum of 8 feet. Many common carriers can not transport goods longer than 8 feet. If you are planning to ship our closet rods and have any questions, please contact our customer care who can give you some options to consider.



Technical Documents



View this product online at <https://marathonhardware.com/pd/K766CHR>

