



## Bracket 2H 3/4x3/4x3/4 18g Bar

**Part Number: 03-4221**

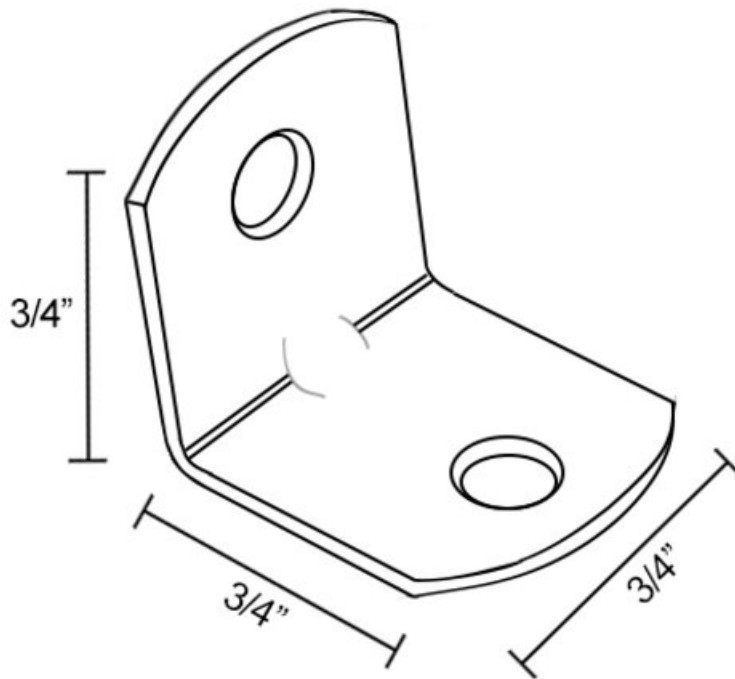
Corner Brace Angle Bracket 2 Holes, 3/4 x 3/4 x 3/4

18 gauge steel with bare finish.

|                       |               |
|-----------------------|---------------|
| Bracket Type -----    | Angle Bracket |
| Finish -----          | Bare          |
| Gauge -----           | 18g           |
| Length -----          | 3/4 x 3/4 in  |
| Material -----        | Steel         |
| Number of Holes ----- | 2 Hole        |
| Width -----           | 3/4 in        |



## Technical Documents



View this product online at <https://marathonhardware.com/pd/03-4221>

