



Bracket 2H 1/2x1x1 16g Bare

Part Number: 03-4203

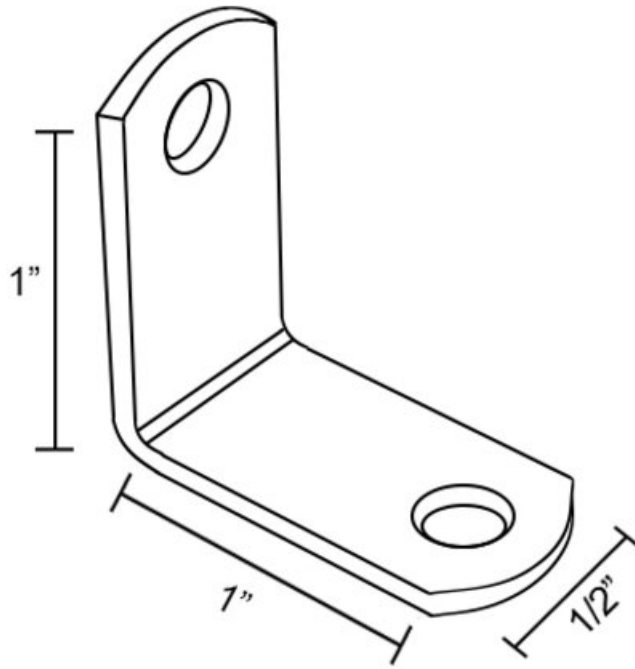
Angle Bracket with 2 Holes, rounded ends, 1 x 1 x 1/2

Made of 16 gauge steel

| | |
|-----------------------|---------------|
| Bracket Type ----- | Angle Bracket |
| Finish ----- | Bare |
| Gauge ----- | 16g |
| Length ----- | 1 x 1 in |
| Material ----- | Steel |
| Number of Holes ----- | 2 Hole |
| Width ----- | 1/2 in |



Technical Documents



View this product online at <https://marathonhardware.com/pd/03-4203>

